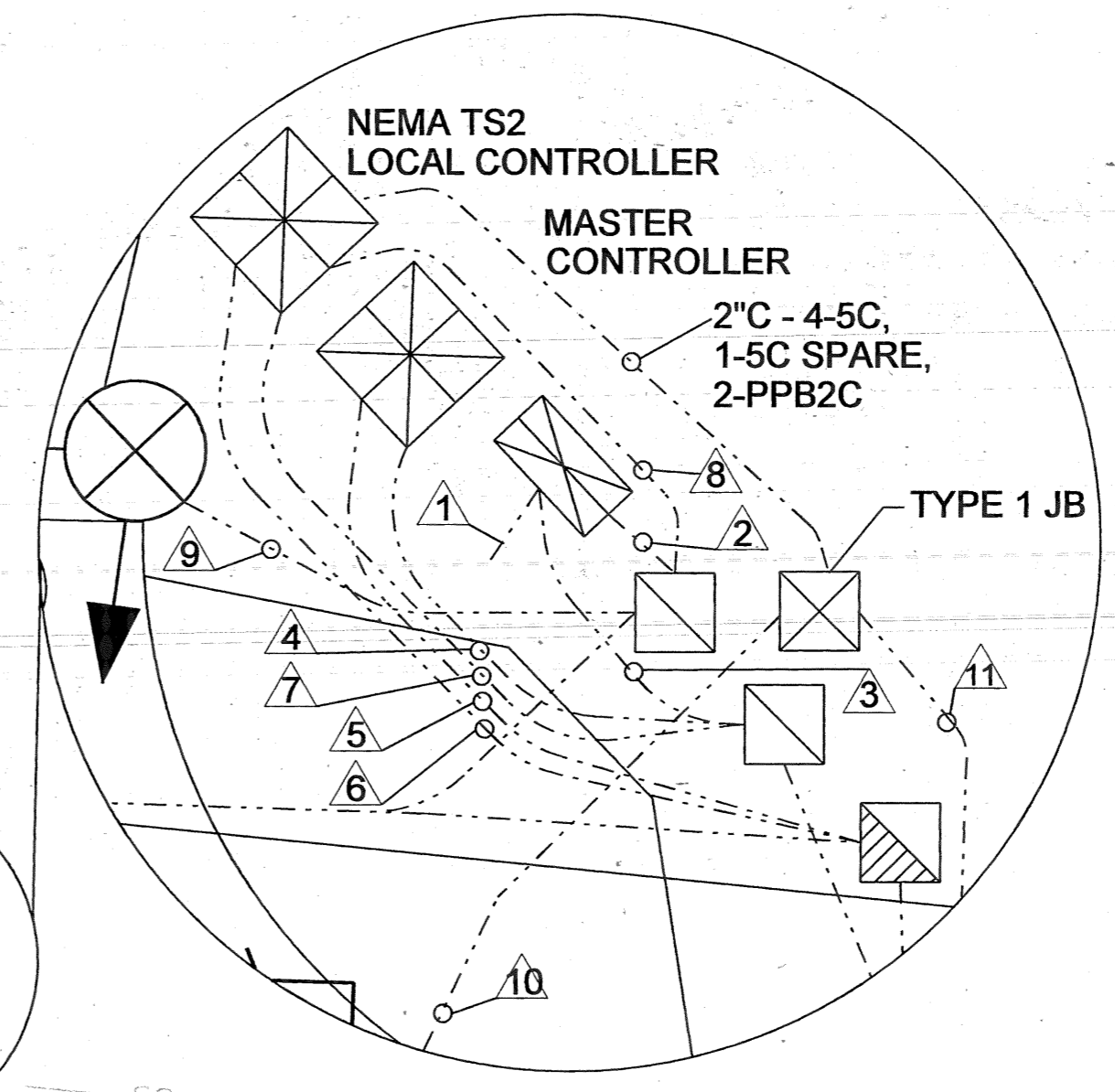


WIRING SCHEDULE

NO.	RACEWAY CONDUIT SIZE	PPB 20 SHIELDED	VEH HEAD PED HEAD	VEH HEAD PED HEAD SPARE WIRE	E.V. DETECTOR	E.V. INDICATOR	BUS PREEMPT FULL WIRE	VIDEO COAX	VIDEO POWER 142 UF WITH GROUND	IC 6 PR-CC	IC PULL WIRE	SERVICE WIRE XHRW	#6 XHRW	ILLUM #6 XHRW	NOTES
1	2"														PER NEC REQUIREMENTS
2	1-1/2"														
3	1-1/2"														
4	2"														
5	2"														
6	1-1/2"														
7	4"		14	4		2	3	2	2	1					
8	4"		10	3		2	2	2	2						
9	1-1/2"														
10	2-1/2"		4	1		1	1	1	1						
11	2"														
12	2"														
13	2"														6 PR-CC FOR S 320TH; FULL WIRE FOR SR 99
14	4"		14	4		2	3	2	2	2	1				
15	1-1/2"														
16	1-1/2"														
17	1-1/2"														
18	2"														



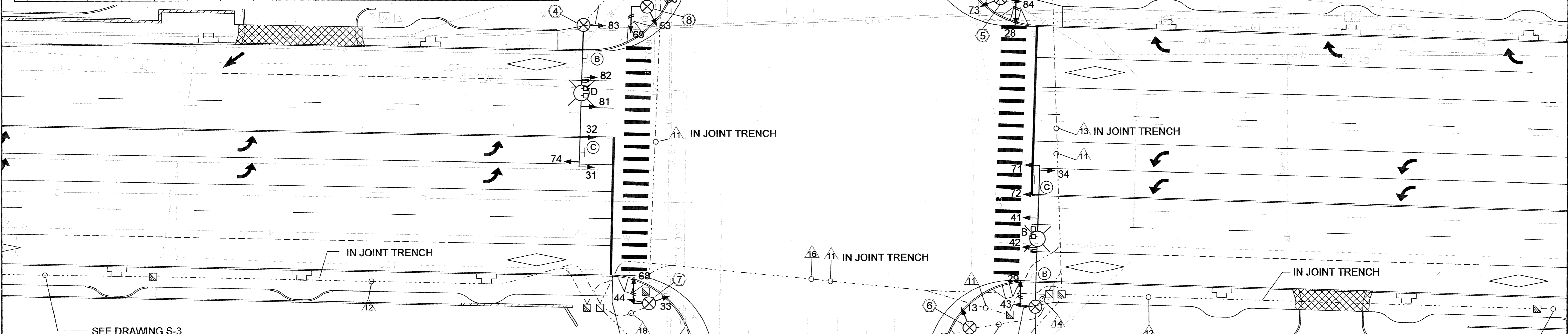
EMERGENCY PREEMPTION SCHEDULE

CHANNEL	PHASE
A	Φ2 Φ5
B	Φ4 Φ7
C	Φ6 Φ1
D	Φ8 Φ3

BREAKER SCHEDULE

MAIN	200
LOCAL CONTROLLER	50
MASTER/INTERCONNECT	50
LIGHTING CIRCUIT 1	30
RECEPTACLE	20

SEE PANEL SCHEDULE ON SHEET UT-6 FOR OTHER CIRCUITS

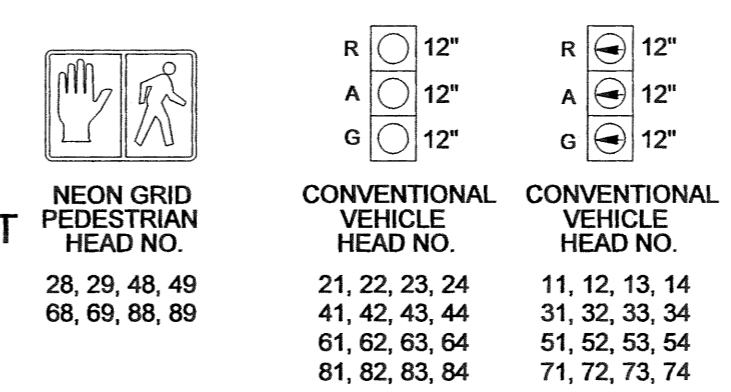


LEGEND

- TYPE 2 JUNCTION BOX
- TYPE 3 JUNCTION BOX
- VEHICLE SIGNAL HEAD
- PEDESTRIAN SIGNAL HEAD
- SIGNAL POLE (TYPE 1)
- SIGNAL POLE (TYPE 3)
- EMERGENCY VEHICLE INDICATOR
- EMERGENCY VEHICLE DETECTOR
- CAMERA
- ELECTRICAL SERVICE CABINET
- CONTROLLER CABINET
- MASTARM SIGN
- POLE NUMBER
- MASTARM SIGN NUMBER
- WIRING NOTE

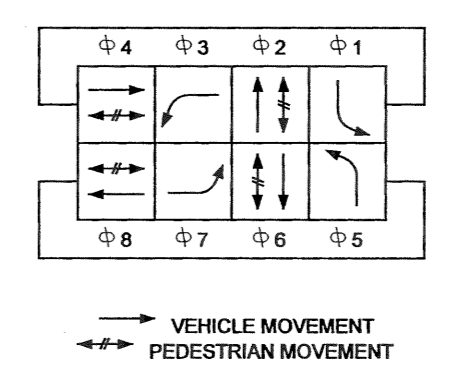


SIGNAL HEAD DISPLAY

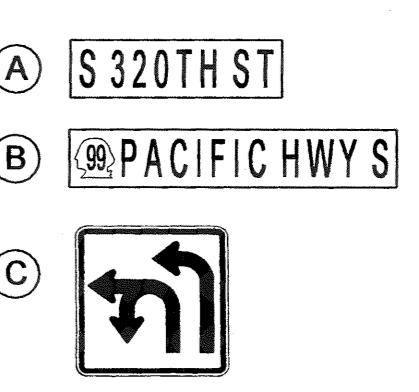


- ALL VEHICLE HEADS SHALL BE CONVENTIONAL TYPE WITH 12 INCH GLASS LENSES, TUNNEL VISORS AND BACK PLATES.
- ALL VEHICLE SIGNAL HEADS SHALL USE TYPE M MOUNTING WITH THE ELEVATOR PUMBIZER BETWEEN THE RED AND AMBER SECTIONS, UNLESS NOTED OTHERWISE.
- ALL PEDESTRIAN SIGNAL HEADS SHALL BE NEON GRID TYPE WITH 7" CRATE VISORS.

SIGNAL PHASE DIAGRAM



MASTARM SIGNS



JRH Transportation Engineering
 4765 Village Plaza Loop
 Suite 201
 Eugene, Oregon 97404
 (541) 687-1081

DSGN J. R. HANKS					
DR M. ZOLL					
CHK J. CASTO					
APVD					
NO.	DATE	REVISION	BY	APVD	

AS-BUILT PLAN

VERIFY SCALE
 BAR IS ONE INCH ON ORIGINAL DRAWING.
 IF NOT ONE INCH ON THIS SHEET, ADJUST SCALES ACCORDINGLY.



S. 320TH STREET AT SR99 IMPROVEMENTS

SIGNAL PLAN

SHEET 8 OF 20
DWG NO. S-2
DATE FEB 2002
PROJ 149222/160193

THIS DOCUMENT AND THE IDEAS AND DESIGNS INCORPORATED HEREIN, AS AN INSTRUMENT OF PROFESSIONAL SERVICE, IS THE PROPERTY OF CH2MHILL AND IS NOT TO BE USED, IN WHOLE OR IN PART, FOR ANY OTHER PROJECT WITHOUT THE WRITTEN AUTHORIZATION OF CH2MHILL.

S. 320th St