



HELIX DESIGN GROUP, INC.

HARGIS
1201 third avenue, ste 600
seattle, wa 98101
206.448.3376
www.hargis.biz
HARGIS ENGINEERS



PLUMBING SCHEDULES

CITY OF FEDERAL WAY
FLEET & SHOPS

FEDERAL WAY, WASHINGTON

Table with columns for REVISION and DATE, containing multiple revision entries.

BID SET

DRAWING NO.
PBO03
HELIUM DESIGN GROUP, INC. All rights reserved.

DOMESTIC WATER PRESSURE BOOSTER ASSEMBLY SCHEDULE

Table with columns: MARK, LOCATION, SYSTEM SERVED, MANUFACTURER / MODEL NO., CAPACITY, PUMPS, MOTOR, ELECTRICAL, PHYSICAL, CONNECTIONS, MOUNTING / SUPPORT, NOTES, MARK.

NOTES:
1. CONTROL PANEL SHALL BE PROVIDED WITH A VISIBLE NAMEPLATE INDICATING THE SHORT CIRCUIT CURRENT RATING (SCCR) IN ACCORDANCE WITH THE UL REQUIREMENTS. REFER TO THE ELECTRICAL DRAWINGS FOR MINIMUM RATINGS.
2. PROVIDE WITH PUMP CONTROL PANEL AND REMOTE MOUNTED HYDRO-PNEUMATIC TANK IN ACCORDANCE WITH SPECIFICATIONS.

DOMESTIC WATER EXPANSION TANK SCHEDULE

Table with columns: MARK, LOCATION, SYSTEM SERVED, MANUFACTURER / MODEL NO., TYPE, TANK VOLUME (GAL), ACCEPTANCE VOLUME (GAL), SYSTEM CONN (IN), PRE-CHARGE PRESSURE (PSIG), PHYSICAL, SIZING CRITERIA, MOUNTING / SUPPORT, NOTES, MARK.

NOTES:
1. PROVIDE FACTORY PRE-CHARGED TANKS AND ADJUST IN THE FIELD TO ACTUAL SYSTEM PRESSURE PLUS 2 PSI.
2. PROVIDE WITH SEISMIC BRACING.

C404.3 EFFICIENT HEATED WATER SUPPLY PIPING

HEATED WATER SUPPLY PIPING SHALL BE IN ACCORDANCE WITH THE MAXIMUM ALLOWABLE PIPE LENGTH METHOD (SECTION C404.3.1) OR THE MAXIMUM ALLOWABLE PIPE VOLUME METHOD (SECTION C404.3.2). THE FLOW RATE THROUGH 1/4-INCH PIPING SHALL BE NO GREATER THAN 0.5 GPM. THE FLOW RATE THROUGH 5/16-INCH PIPING SHALL BE NO GREATER THAN 1 GPM. THE FLOW RATE THROUGH 3/8-INCH PIPING SHALL BE NO GREATER THAN 1.5 GPM. WATER HEATERS, CIRCULATING WATER SYSTEMS, AND HEAT TRACE TEMPERATURE MAINTENANCE SYSTEMS SHALL BE CONSIDERED SOURCES OF HEATED WATER.

Table with columns: NOMINAL PIPE SIZE (IN), VOLUME (LIQUID OUNCES PER LINEAR FOOT) (NOTE 1), MAXIMUM PIPING LENGTH (FEET) (NOTE 2), PUBLIC LAVATORY FAUCETS, OTHER FIXTURES AND APPLIANCES.

NOTES:
1. SECTION C404.3.2: THE MAXIMUM VOLUME OF WATER, AS MEASURED FROM THE NEAREST SOURCE OF HEATED WATER TO THE TERMINATION OF THE FIXTURE SUPPLY PIPE, SHALL BE AS FOLLOWS: 2 OUNCES FOR PUBLIC LAVATORY FAUCET AND 0.5 GALLONS FOR OTHER PLUMBING FIXTURES OR PLUMBING APPLIANCES.
2. SECTION C404.3.1: THE MAXIMUM ALLOWABLE PIPING LENGTH, AS MEASURED FROM THE NEAREST SOURCE OF HEATED WATER TO THE TERMINATION OF THE FIXTURE SUPPLY PIPE, WHERE PIPING CONTAINS MORE THAN ONE SIZE OF PIPE, THE LARGEST SIZE OF PIPE WITHIN THE PIPING SHALL BE USED FOR DETERMINING THE MAXIMUM ALLOWABLE LENGTH.

ELECTRIC INSTANTANEOUS WATER HEATER SCHEDULE

Table with columns: MARK, LOCATION, SYSTEM SERVED, MANUFACTURER / MODEL NO., TYPE, FLOW RATE (GPM), TEMP RISE (F), MIN FLOW (GPM), MAX FLOW (GPM), ELECTRICAL, PHYSICAL, MOUNTING / SUPPORT, NOTES, MARK.

NOTES:
1. SET AT 120°F. FOR ELECTRIC INSTANTANEOUS WATER HEATERS SERVING EMERGENCY FIXTURES ENSURE THAT THE TEMPERATURE OF THE WATER PRODUCED IS TEPID, AND COMPLIES WITH ISEA 358.1, ASSE 1071 AND UPC 416.1.

AIR COMPRESSOR SCHEDULE

Table with columns: MARK, LOCATION, AREA SERVED, MANUFACTURER / MODEL NO., TYPE, AIRFLOW RATE (SCFM), AIR PRESS (PSIG), RPM, HP, MOTOR, ELECTRICAL, RECEIVER, PHYSICAL, MOUNTING / SUPPORT, NOTES, MARK.

NOTES:
1. EQUIPMENT SHALL BE PROVIDED WITH A VISIBLE NAMEPLATE INDICATING THE SHORT CIRCUIT CURRENT RATING (SCCR) IN ACCORDANCE WITH UL REQUIREMENTS. REFER TO ELECTRICAL DRAWINGS FOR MINIMUM RATINGS.
2. PROVIDE WITH OPTIONAL ELECTRIC DRAIN.

AIR DRYER SCHEDULE

Table with columns: MARK, LOCATION, SYSTEM SERVED, MANUFACTURER / MODEL NO., TYPE, REFRIGERANT, AIRFLOW RATE (SCFM), INLET AIR PRESSURE (PSIG), INLET AIR TEMP (DEG F), INLET AIR TEMP (DEG F), DEWPOINT TEMP (DEG F), PRESSURE DROP (PSIG), ELECTRICAL, PHYSICAL, MOUNTING / SUPPORT, NOTES, MARK.

NOTES:
1. EQUIPMENT SHALL BE PROVIDED WITH A VISIBLE NAMEPLATE INDICATING THE SHORT CIRCUIT CURRENT RATING (SCCR) IN ACCORDANCE WITH UL REQUIREMENTS. REFER TO ELECTRICAL DRAWINGS FOR MINIMUM RATINGS.
2. ELECTRICAL CONNECTION REQUIRES A 120V/1PH RECEPTACLE.

PLUMBING FIXTURE AND DRAIN ROUGH-IN SCHEDULE

Table with columns: MARK, FIXTURE TYPE, WASTE (IN), VENT (IN), CW (IN), HW (IN), TW (IN), NPCW (IN), NOTES, MARK.

NOTES:
A. PIPE SIZES LISTED MAY BE DIFFERENT THAN THE ACTUAL FIXTURE CONNECTION. PROVIDE BRANCH PIPE OF LISTED SIZE AND ALL PIPE FITTINGS AND OFFSETS REQUIRED FOR COMPLETE INSTALLATION.
B. PROVIDE FINAL CONNECTIONS TO ALL FIXTURES.
C. PROVIDE WALL CLEANOUTS FOR ALL SINKS, WATER CLOSETS, AND URINALS.
D. SIZE AS NOTED ON DRAWINGS.
E. ADA COMPLIANT WHERE INDICATED ON THE ARCHITECTURAL DRAWINGS. MOUNTING HEIGHT AS INDICATED ON ARCHITECTURAL DRAWINGS.
F. PROVIDE TRAP PRIMER ASSEMBLY WITH NUMBER OF PORTS REQUIRED TO SERVE ADJACENT DRAINS. PROVIDE 120V/1P ELECTRICAL CONNECTION. PROVIDE WITH SHUTOFF VALVE.
G. CW OR NPCW CONNECTION VIA TRAP PRIMER. VENT 1/2 SIZE OF WASTE OR 1-1/2" WHICHEVER IS LARGER.
H. SUPPLY HOT AND COLD WATER TO THERMOSTATIC MIXING VALVE AND EXTEND TEMPERED WATER FROM MIXING VALVE TO FIXTURE.
I. SIZE AS NOTED ON DRAWINGS. WHERE APPLICABLE, VENT SIZE SHALL BE AS NOTED ON THE DRAWING. HALF SIZE OF WASTE OR 1-1/2", WHICHEVER IS LARGER.
J. ENSURE ALL EMERGENCY EQUIPMENT IS COMPLIANT WITH ISEA 2358.1. PROVIDE A DEDICATED ASSE 1071 MIXING VALVE FOR EACH PIECE OF EMERGENCY EQUIPMENT. ENSURE THAT ALL EMERGENCY EQUIPMENT IS COMPLIANT WITH UPC 416.1.
K. TRENCH DRAIN IS PROVIDED UNDER ARCHITECTURAL SCOPE. FIXTURE IS NOTED FOR REFERENCE ONLY. PLUMBING SCOPE IS PIPING ONLY.
L. PROVIDE POWER CONNECTION. PROVIDE 120V/1P ELECTRICAL CONNECTION.

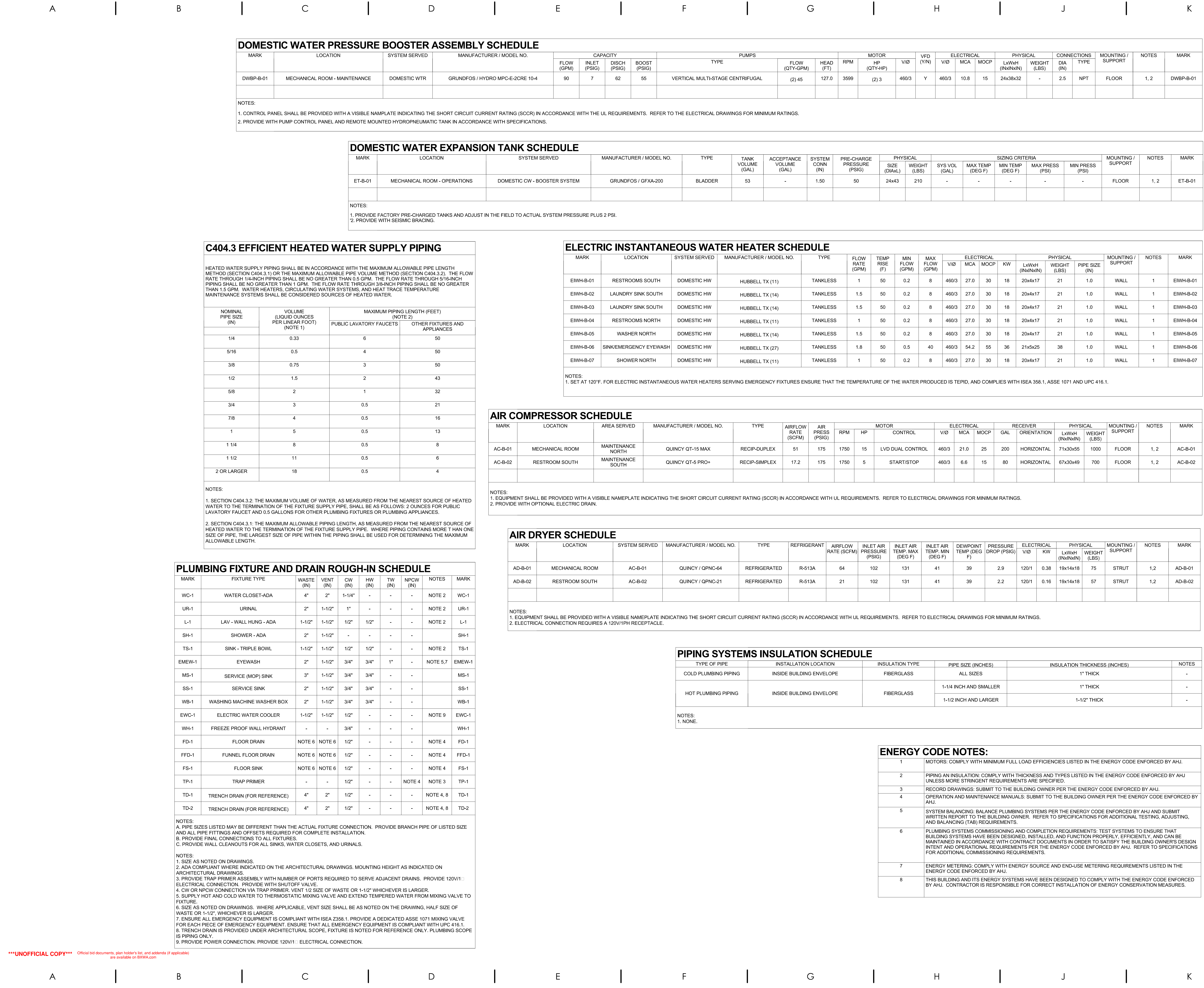
PIPING SYSTEMS INSULATION SCHEDULE

Table with columns: TYPE OF PIPE, INSTALLATION LOCATION, INSULATION TYPE, PIPE SIZE (INCHES), INSULATION THICKNESS (INCHES), NOTES.

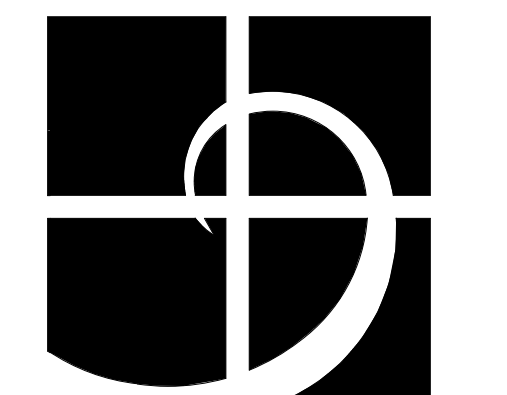
NOTES:
1. NONE.

ENERGY CODE NOTES:

Table with columns: ID, DESCRIPTION.



UNOFFICIAL COPY Official bid documents, plan holder's list, and addenda (if applicable) are available on B2XA.com



Helix design group



AMERICAN INSTITUTE OF ARCHITECTS

HELIX DESIGN GROUP, INC.

HARGIS

1201 third avenue, ste 600
seattle, wa 98101
206.448.3376

www.hargis.biz
HARGIS ENGINEERS



PLUMBING DETAILS

CITY OF FEDERAL WAY
FLEET & SHOPS

FEDERAL WAY, WASHINGTON

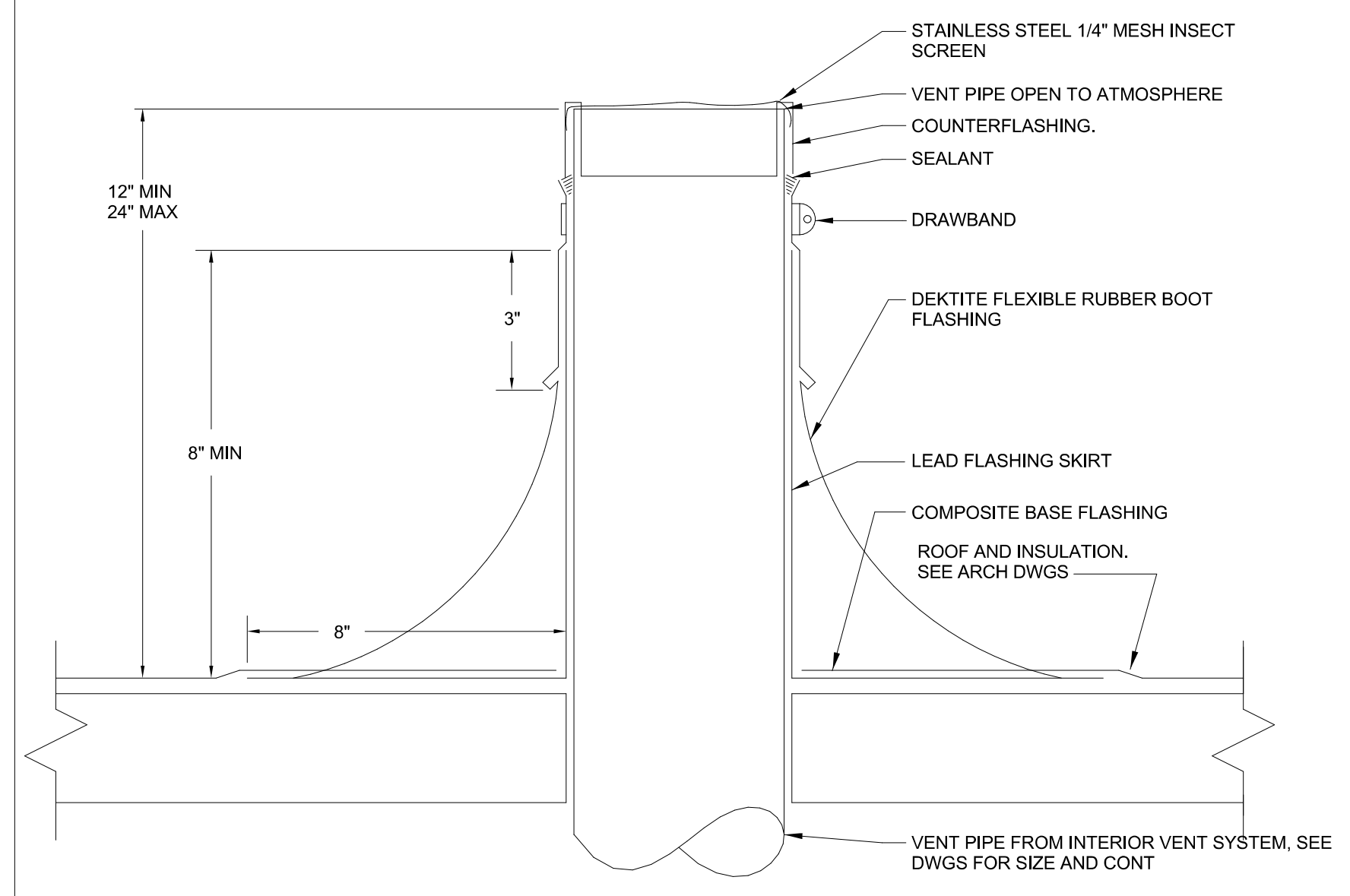
REVISION DATE

DATE 05.06.24 JOB NO. a23-087

BID SET

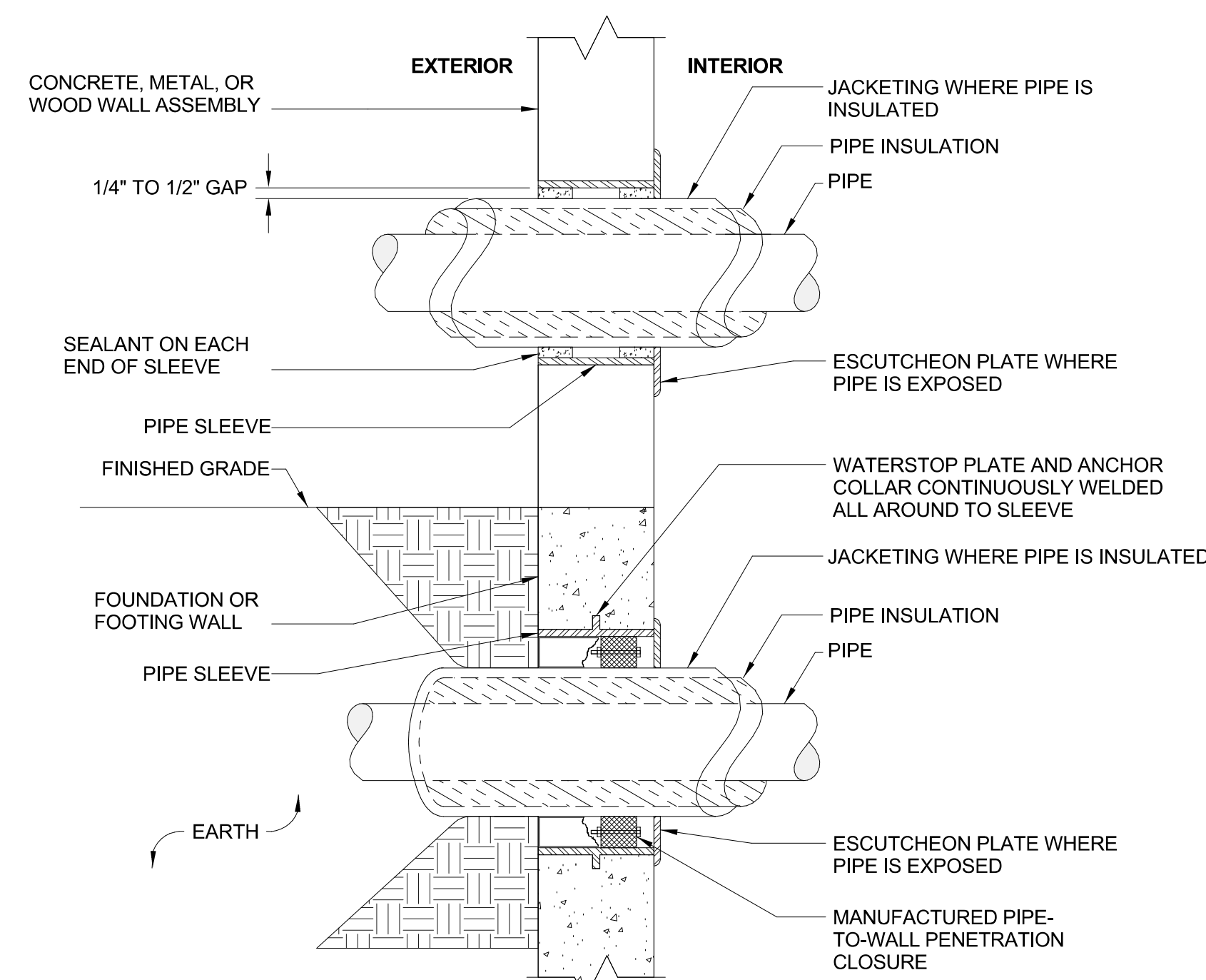
PB801

DRAWING NO.
©HELIX DESIGN GROUP, INC. All rights reserved.
No part of this document may be reproduced in any form or by any means without permission in writing from Helix Design Group.



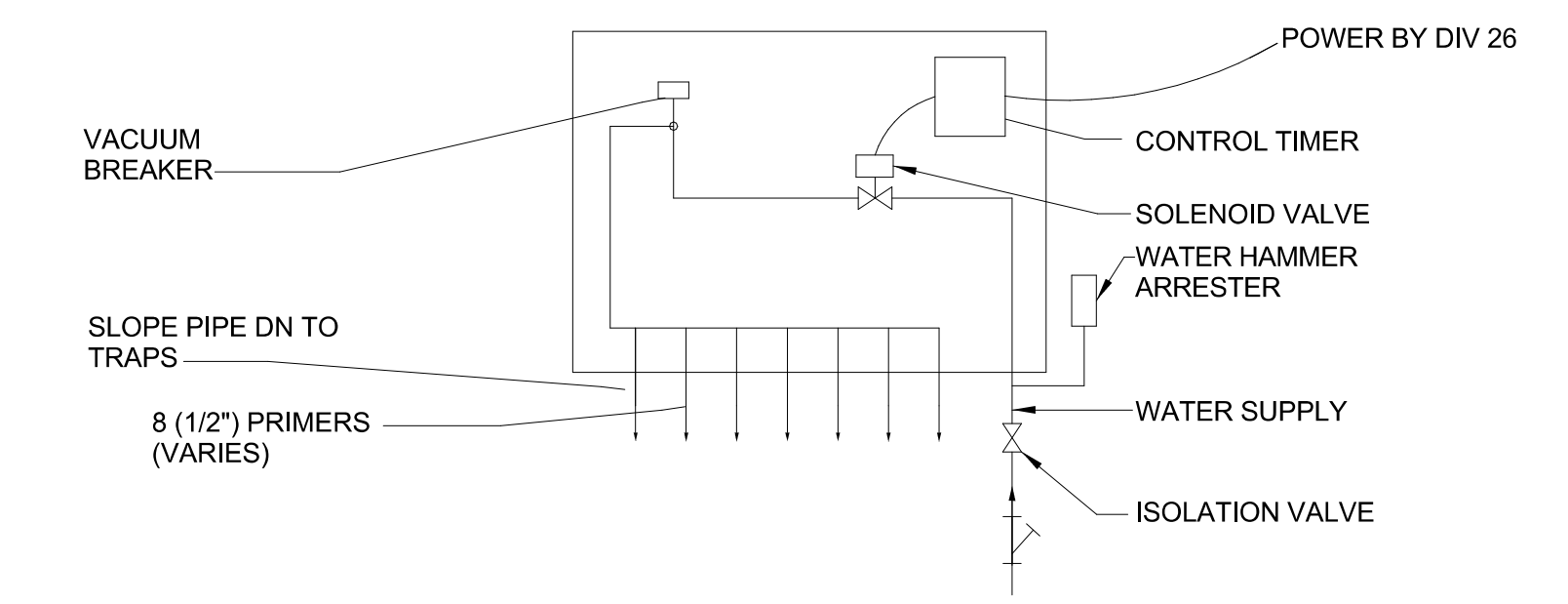
NOTES:
1. PROVIDE DEKTEK FLASHING FOR METAL ROOFS. DETAIL SHOWS LEAD FLASHING FOR COMPOSITE MEMBRANE ROOFS.
2. DETAIL SHOWS PLUMBING VENT THROUGH ROOF PENETRATION. DETAIL ALSO APPLIES TO NATURAL GAS PIPING, LIQUEFIED PETROLEUM PIPING, AND SIMILAR PIPING THROUGH ROOF PENETRATIONS.

1 SCALE: NONE



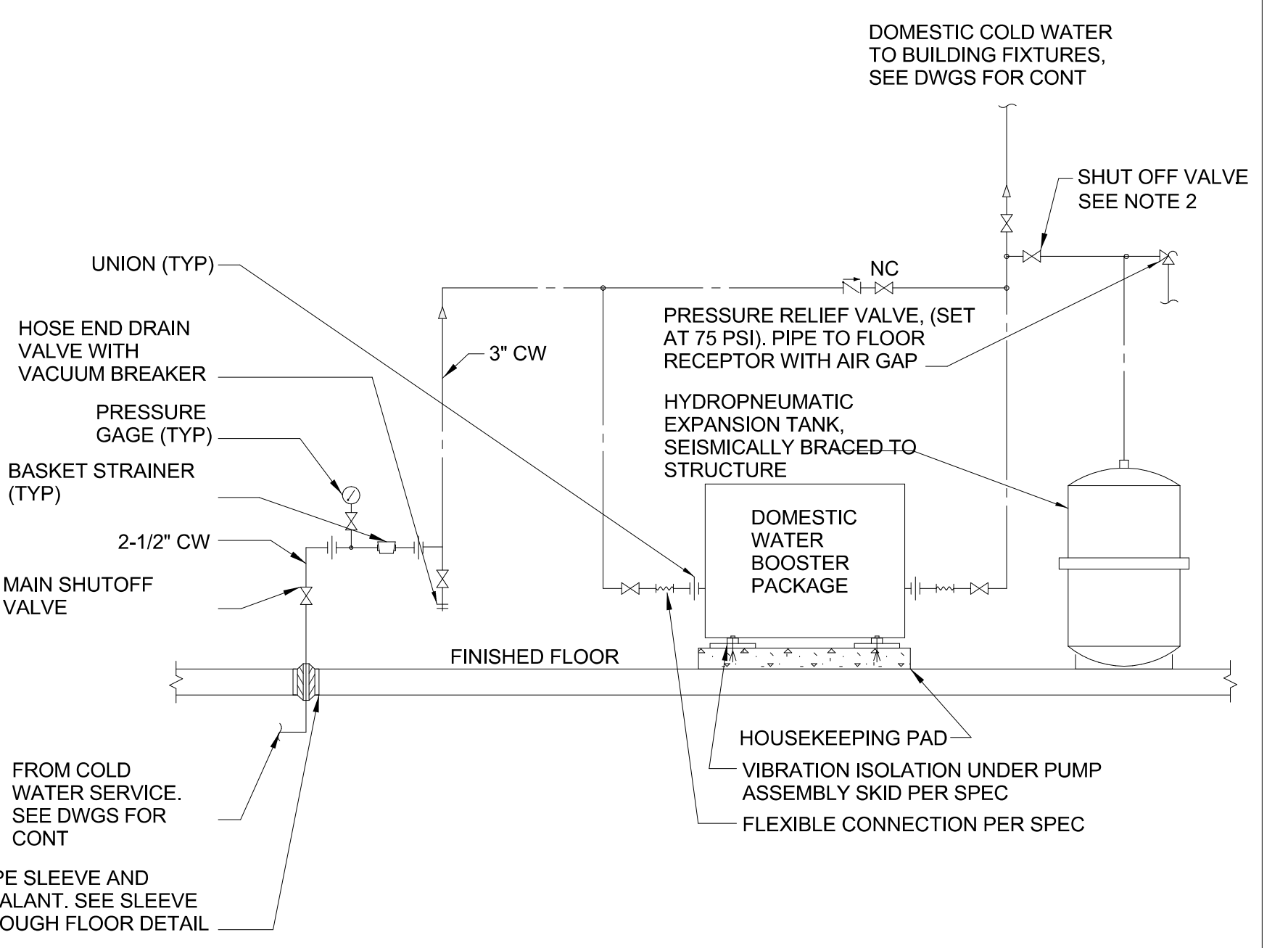
NOTES:
1. SLEEVE NOT REQUIRED FOR EXISTING CONCRETE WALLS.

4 SCALE: NONE



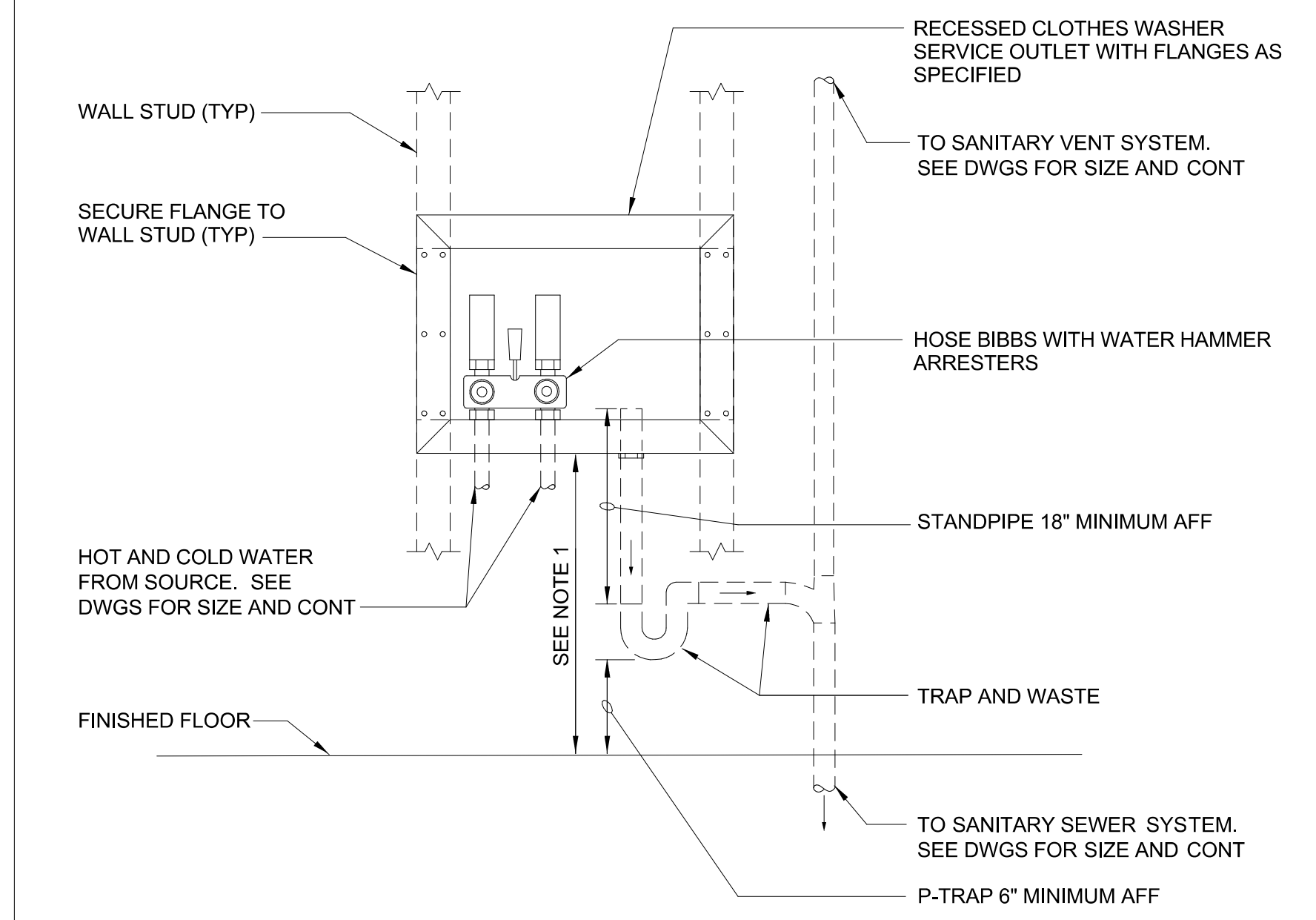
NOTE:
1. PROVIDE LOCKING ACCESS PANEL TO CONCEAL ALL COMPONENTS SHOWN AT OCCUPIED SPACE LOCATIONS.

7 SCALE: NONE



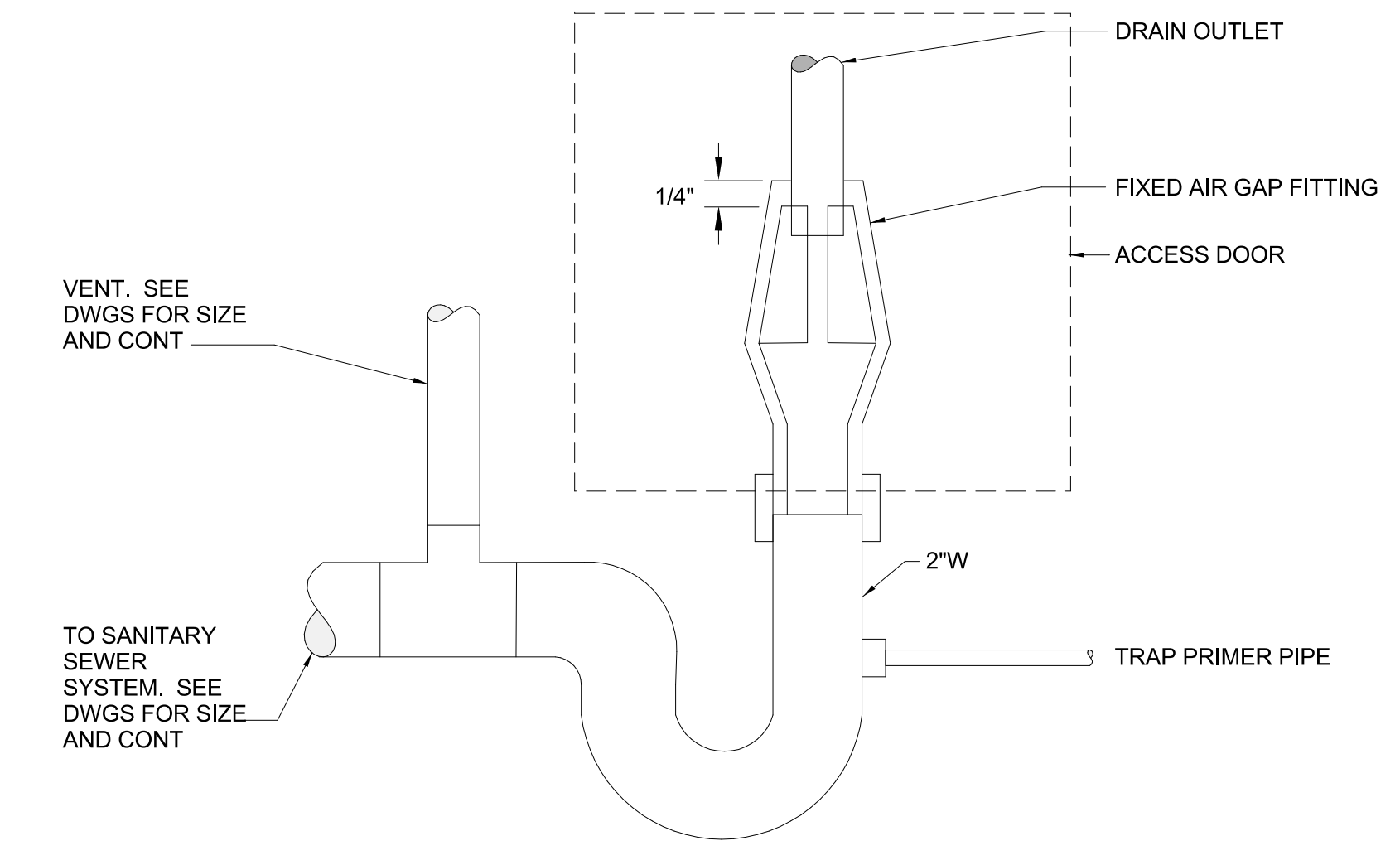
NOTES:
1. SUPPORT PIPE AS SPECIFIED AND PER MANUFACTURER'S INSTALLATION REQUIREMENTS.
2. SET SHUTOFF VALVE IN OPEN POSITION AND REMOVE HANDLE.

10 SCALE: NONE

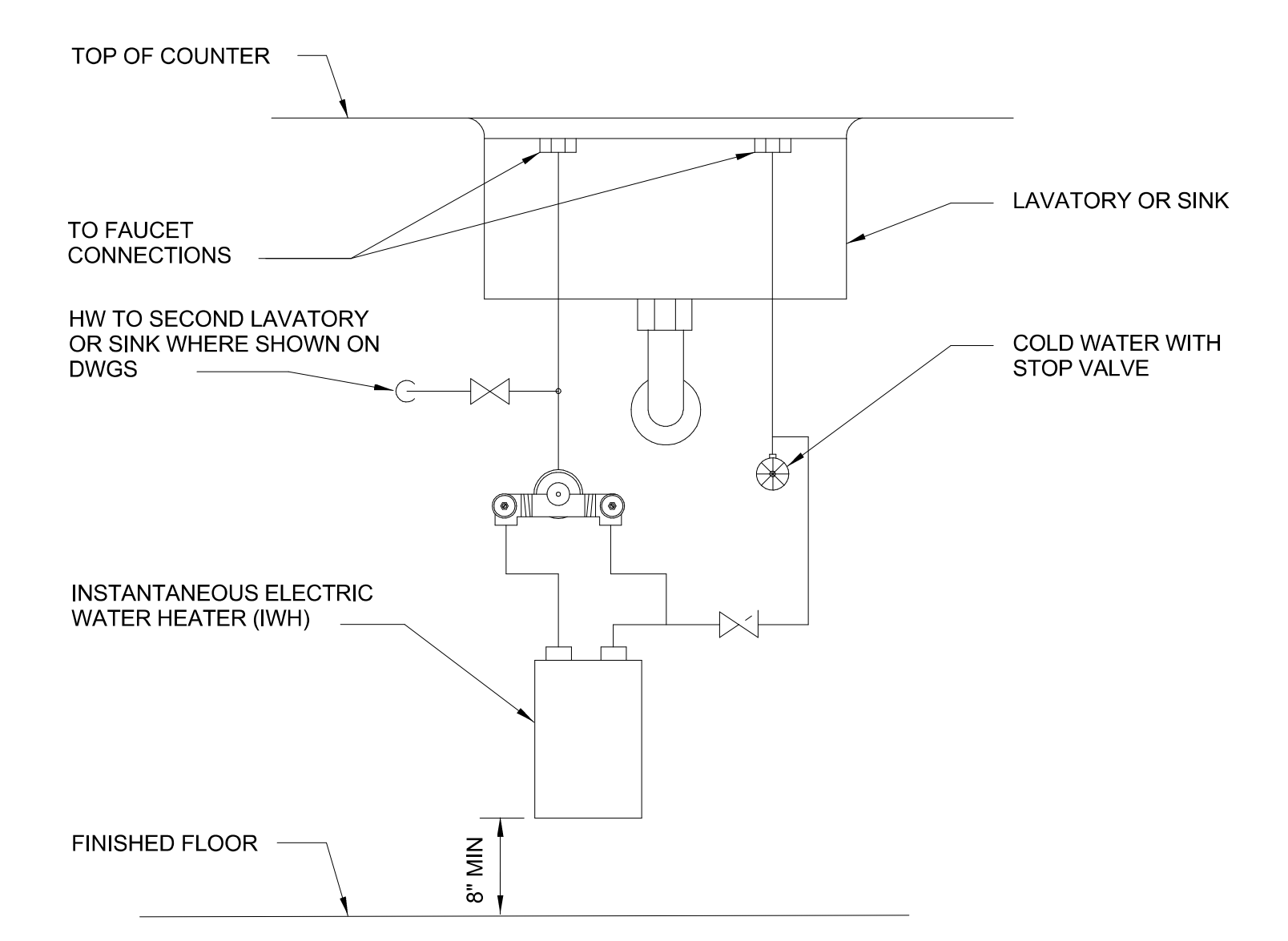


NOTES:
1. INSTALL BOTTOM OF BOX 42\"/>

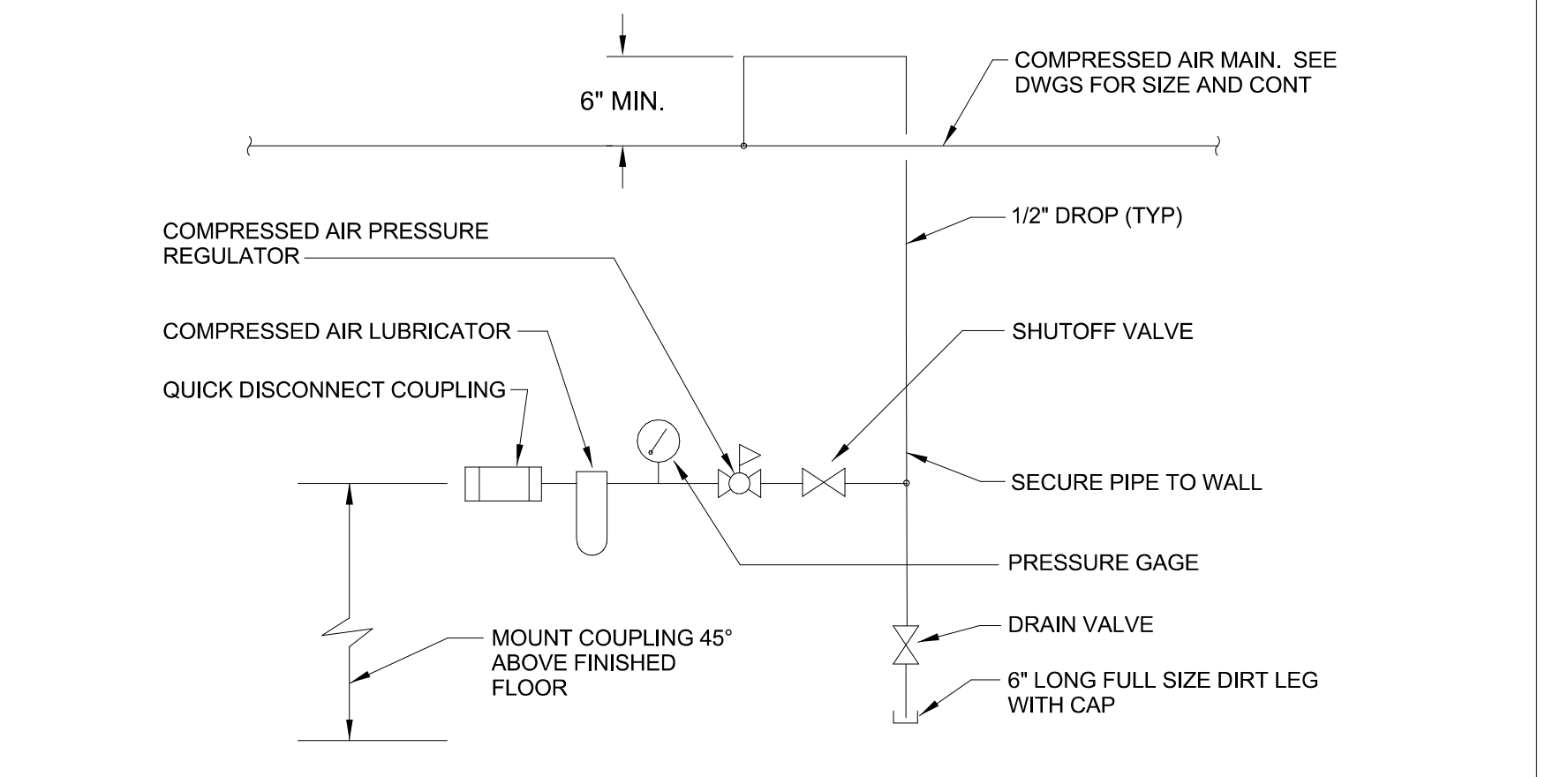
2 SCALE: NONE



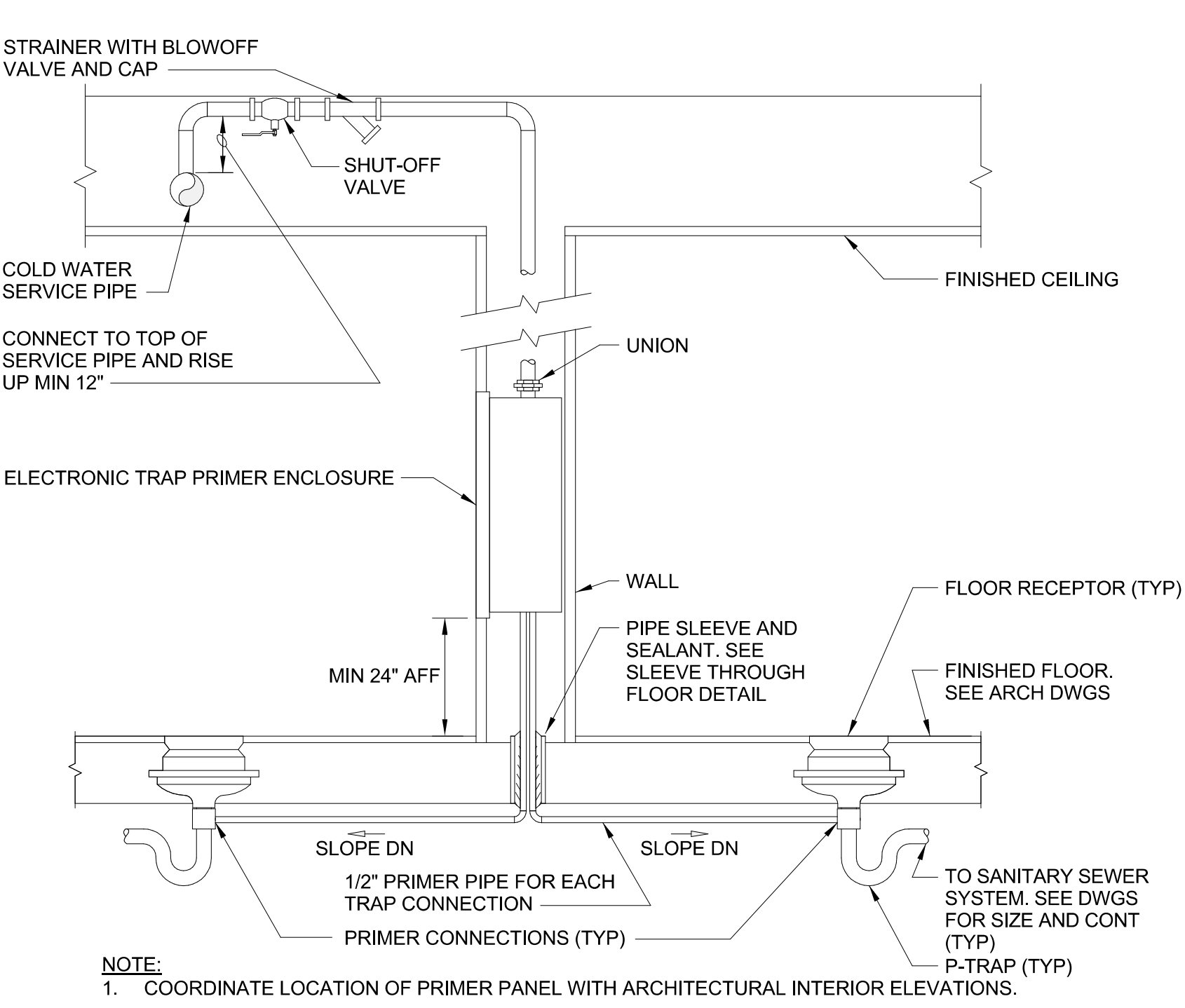
5 SCALE: NONE



8 SCALE: NONE



11 SCALE: NONE



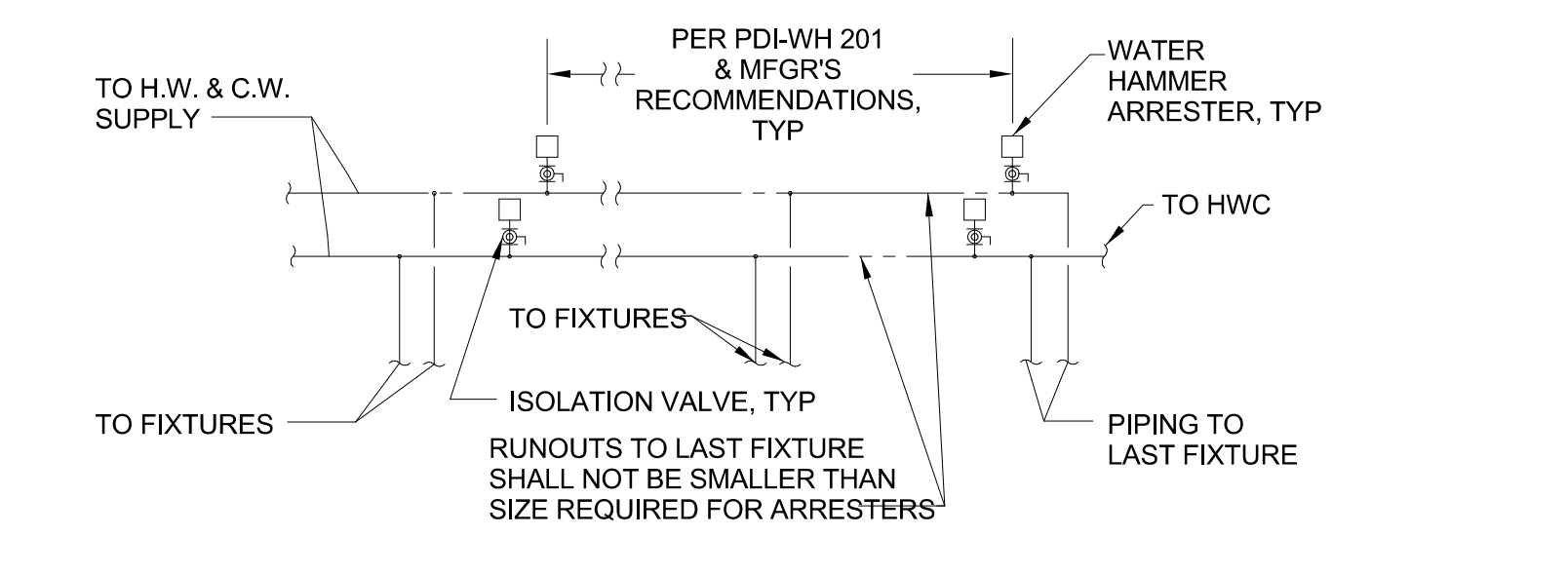
NOTE:
1. COORDINATE LOCATION OF PRIMER PANEL WITH ARCHITECTURAL INTERIOR ELEVATIONS.

6 SCALE: NONE

WATER HAMMER ARRESTOR SIZING SCHEDULE

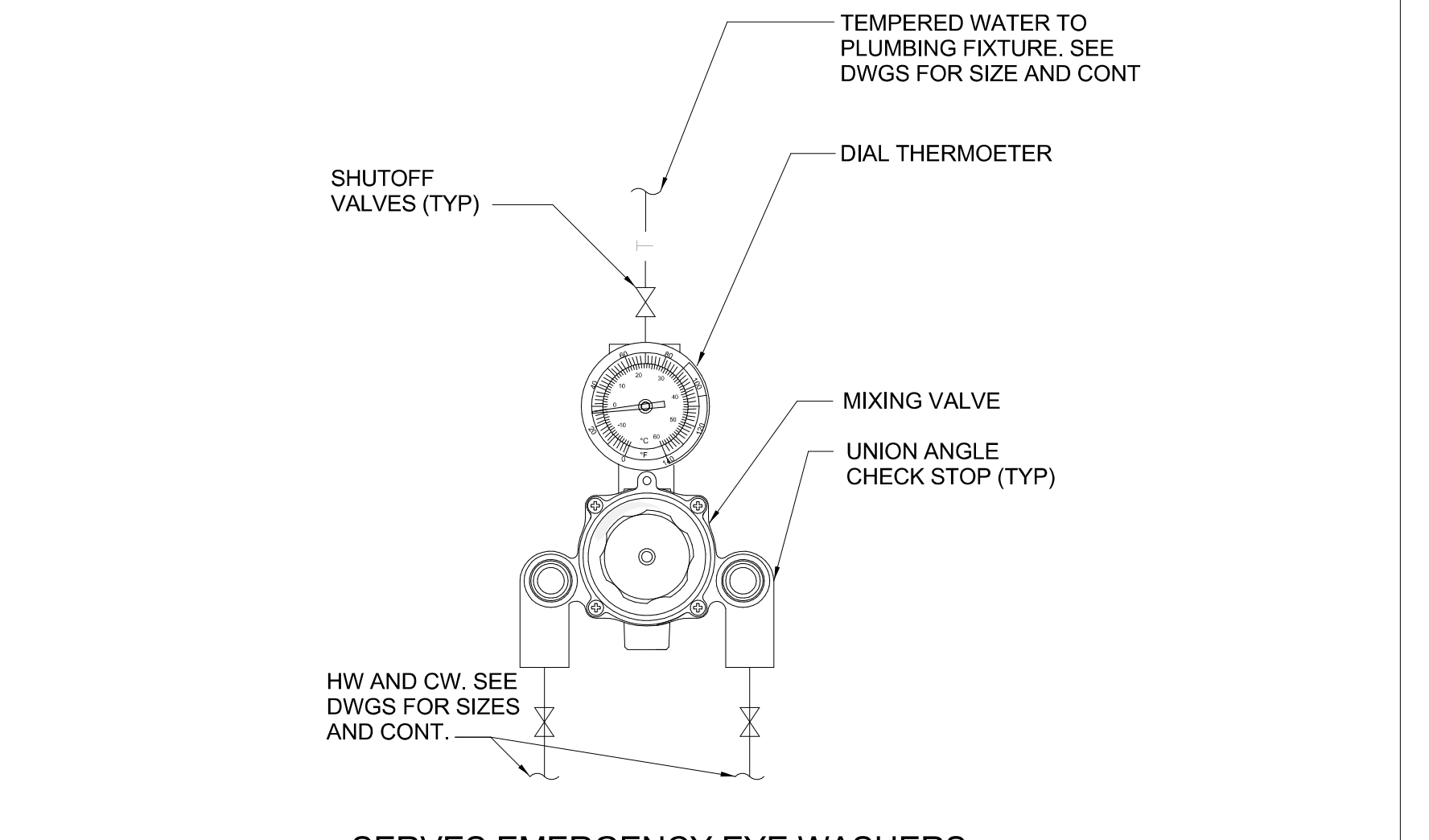
MARK	SYSTEM SERVED	MANUFACTURER / MODEL NO.	FIXTURE UNIT	MIN	MAX	SIZE (IN. W)	DETAIL / DIAGRAM REFERENCE	NOTES	MARK
A-1	DOMESTIC WTR	J.R. SMITH / HYDROTRON 5005	0	11	3/4	3/8	3/M9.02	1	A-1
A-2	DOMESTIC WTR	J.R. SMITH / HYDROTRON 5010	12	32	1	3/8	3/M9.02	1	A-2
A-3	DOMESTIC WTR	J.R. SMITH / HYDROTRON 5020	33	60	1	3/8	3/M9.02	1	A-3
A-4	DOMESTIC WTR	J.R. SMITH / HYDROTRON 5030	61	113	1	3/8	3/M9.02	1	A-4
A-5	DOMESTIC WTR	J.R. SMITH / HYDROTRON 5040	114	154	1	3/8	3/M9.02	1	A-5

NOTES:
1. INSTALL IN ACCORDANCE WITH PLUMBING DRAINAGE INSTITUTE STANDARD P.D.I. WH-201 OR ASSE 1010 RECOMMENDATIONS.



NOTES:
1. USE TABLE 6-5 UNIFORM PLUMBING CODE FOR DETERMINING SUPPLY FIXTURE UNITS WHEN SIZING WATER HAMMER ARRESTORS.

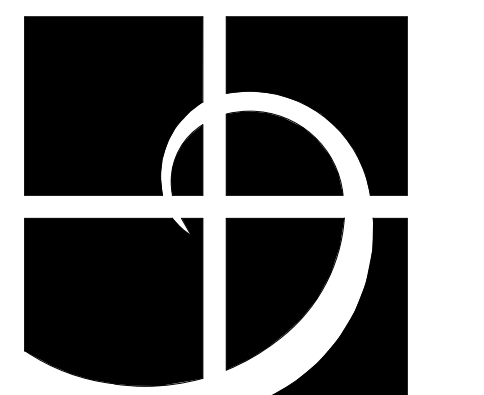
9 SCALE: NONE



SERVES EMERGENCY EYE WASHERS

12 SCALE: NONE

PROJECT: 05102024.000001 CITY OF FEDERAL WAY
FILE PATH: C:\Users\hargis\OneDrive\Documents\2024\Federal Way Fleet Building\Drawings\Mechanical\Detail.dwg



Helix design group



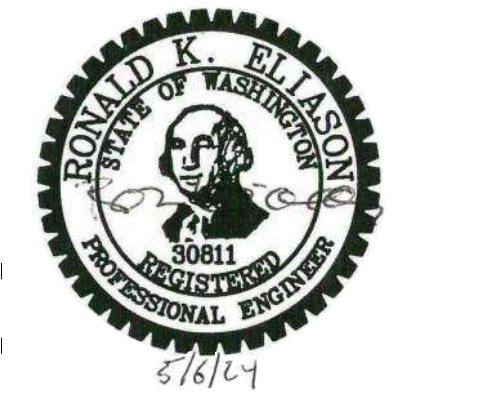
AMERICAN INSTITUTE OF ARCHITECTS

HELIX DESIGN GROUP, INC

HARGIS

1201 third avenue, ste 600
seattle, wa 98101
206.448.3376

www.hargis.biz
HARGIS ENGINEERS



PLUMBING DETAILS

CITY OF FEDERAL WAY
FLEET & SHOPS

FEDERAL WAY, WASHINGTON

REVISION DATE

DATE JOB NO.

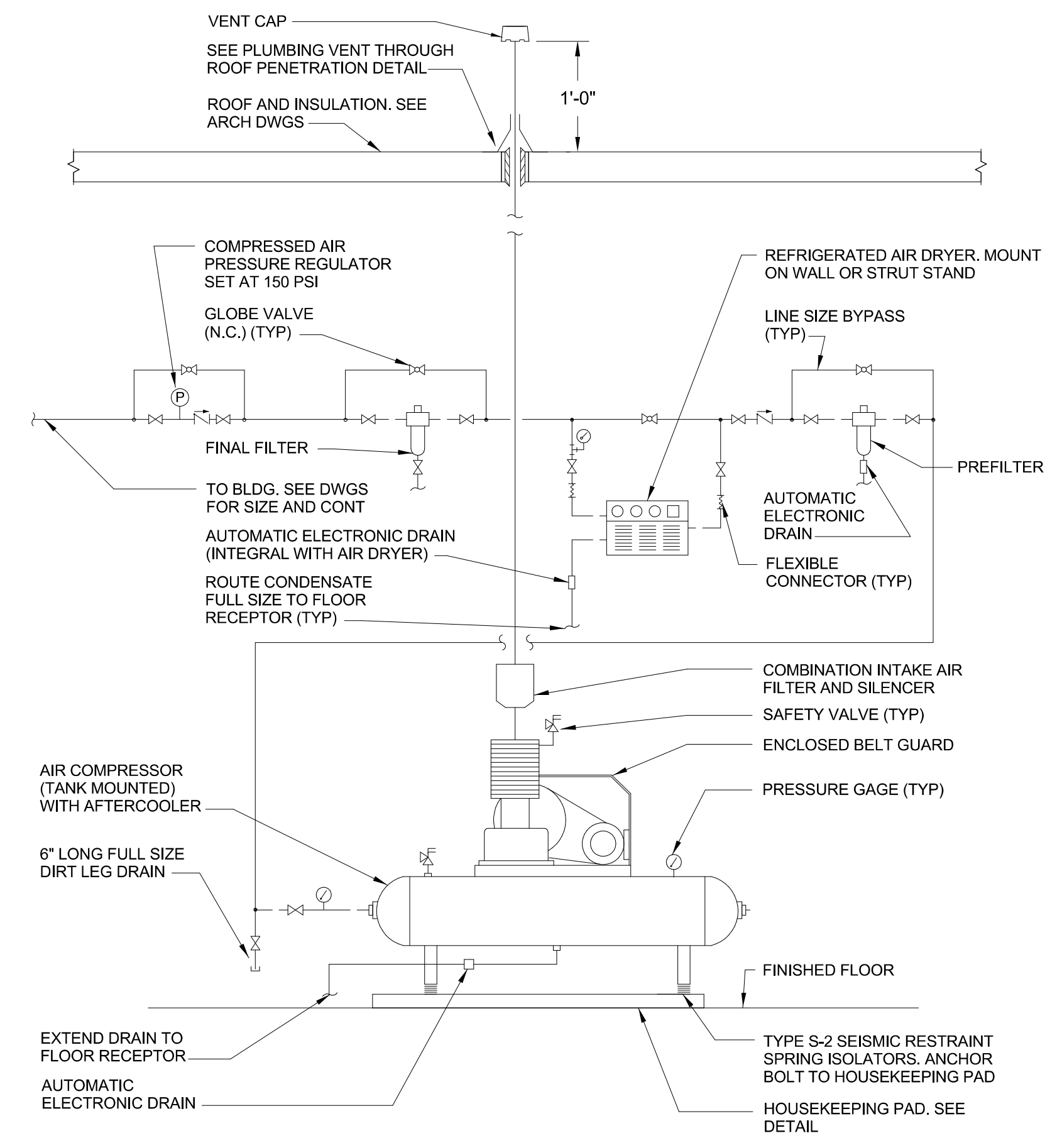
05.04.24 a23-087

BID SET

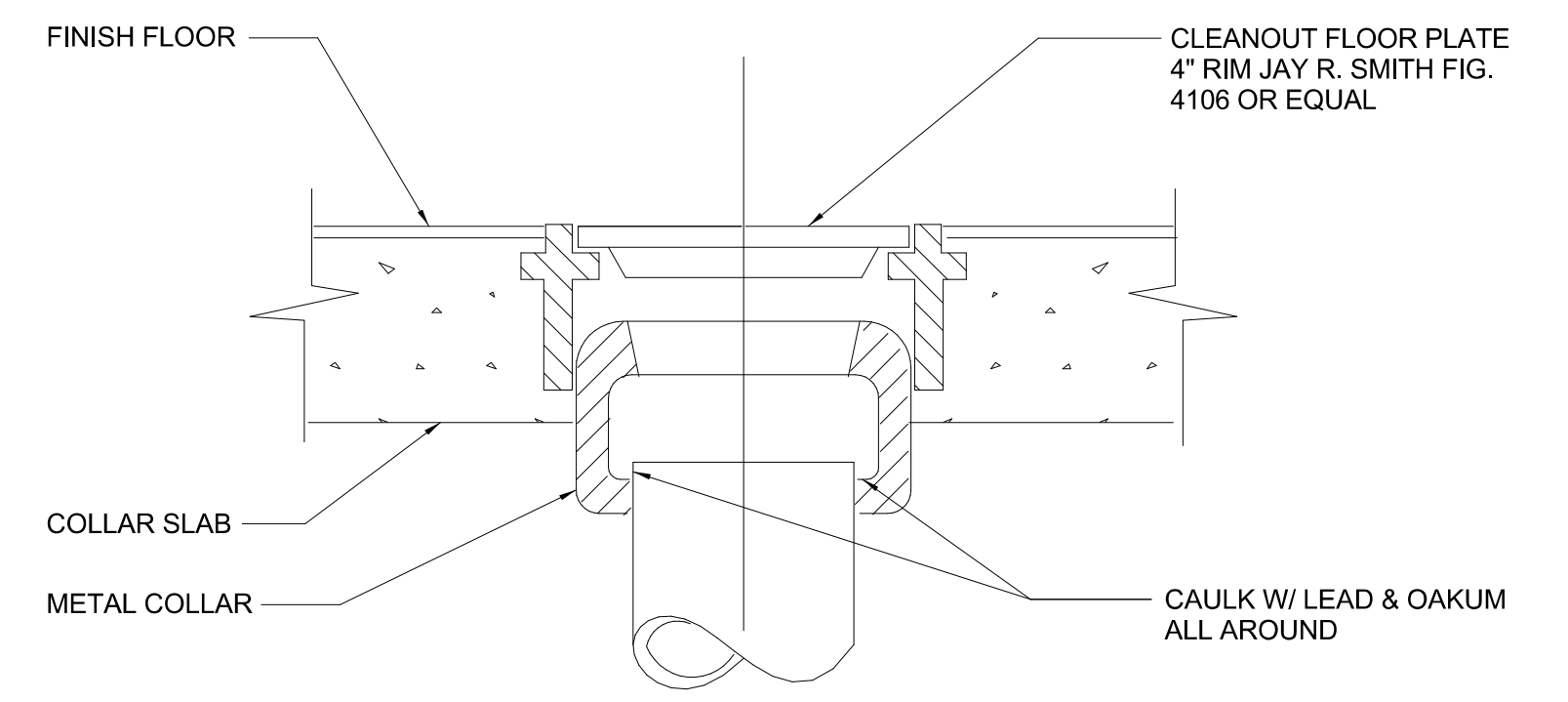
PB802

DRAWING NO.

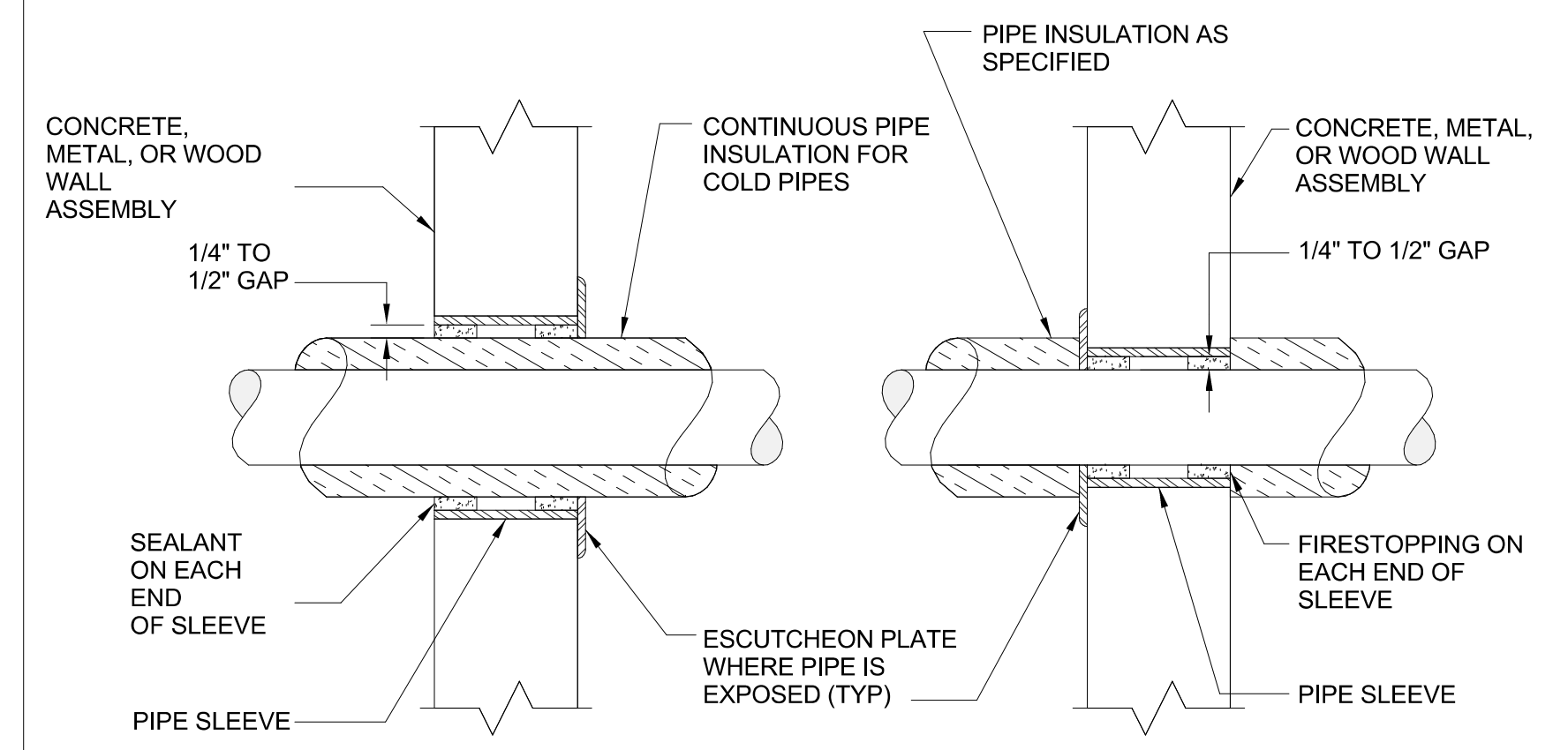
©HELIX DESIGN GROUP, INC. All rights reserved.
No part of this document may be reproduced in any form or by any means without permission in writing from Helix Design Group.



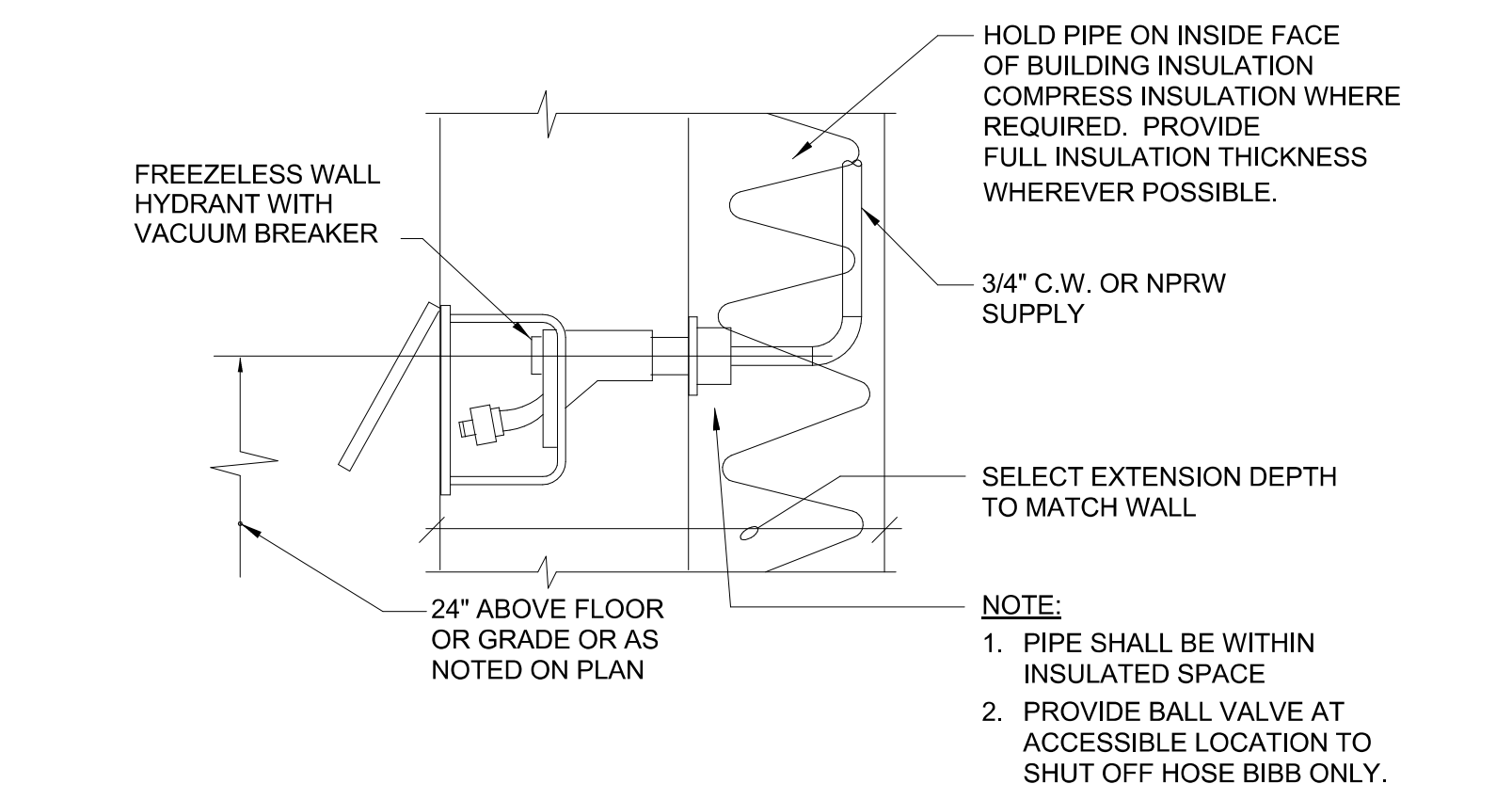
7 DIAGRAM - AIR COMPRESSOR AND AIR DRYER PIPING
SCALE: NONE



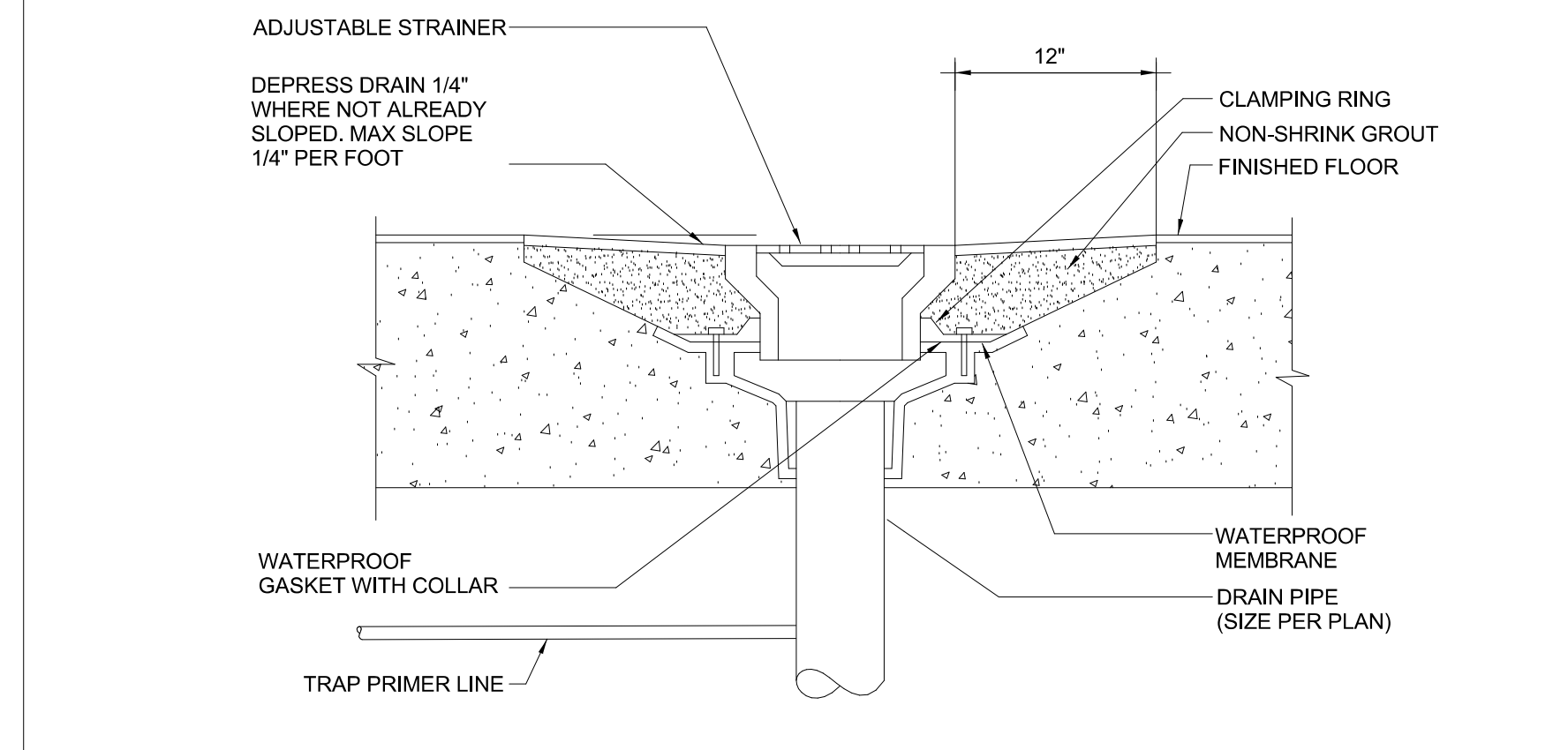
4 DETAIL - INTERIOR CLEANOUT
SCALE: NONE



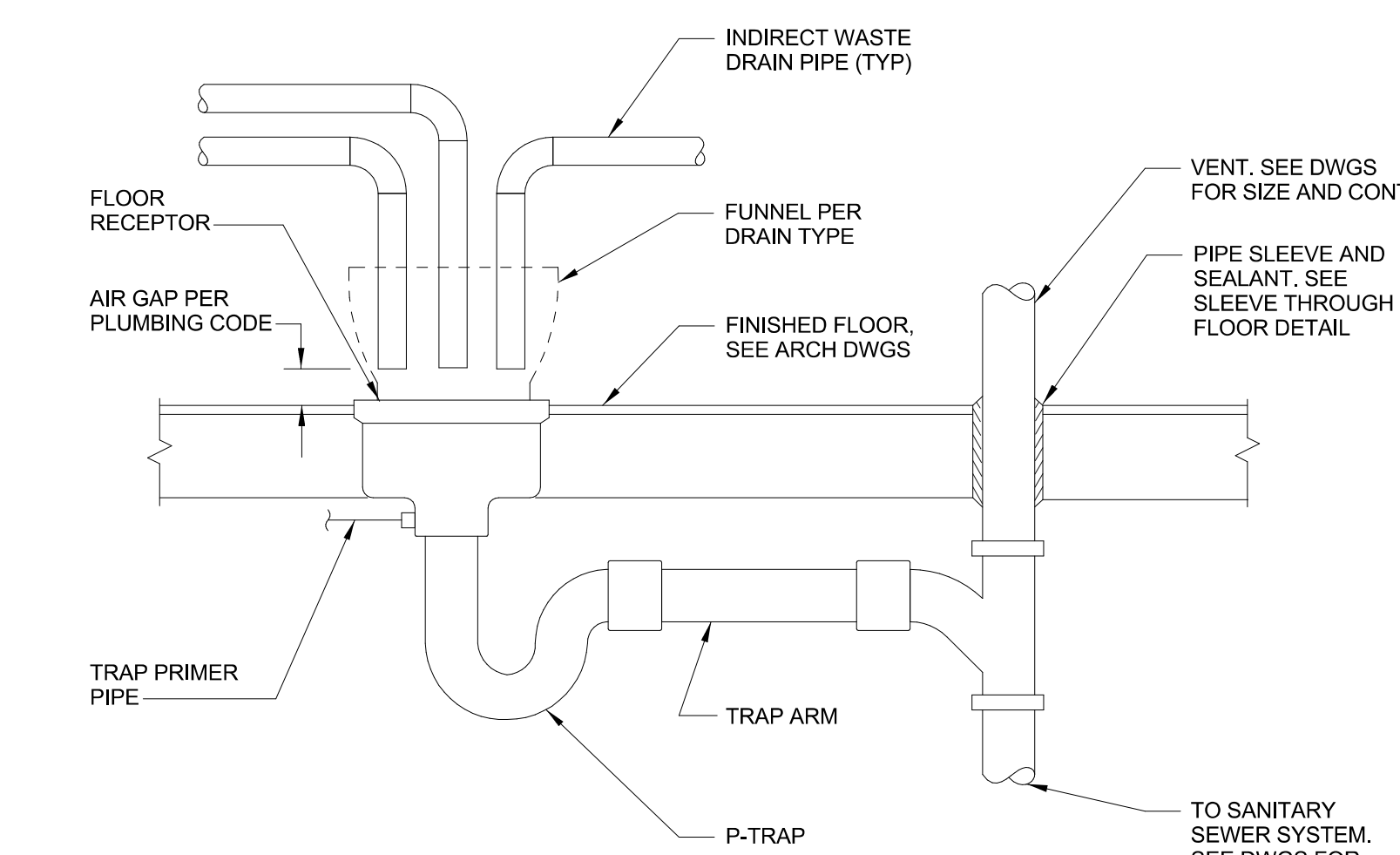
1 DETAIL - PIPE THROUGH INTERIOR WALL
SCALE: NONE



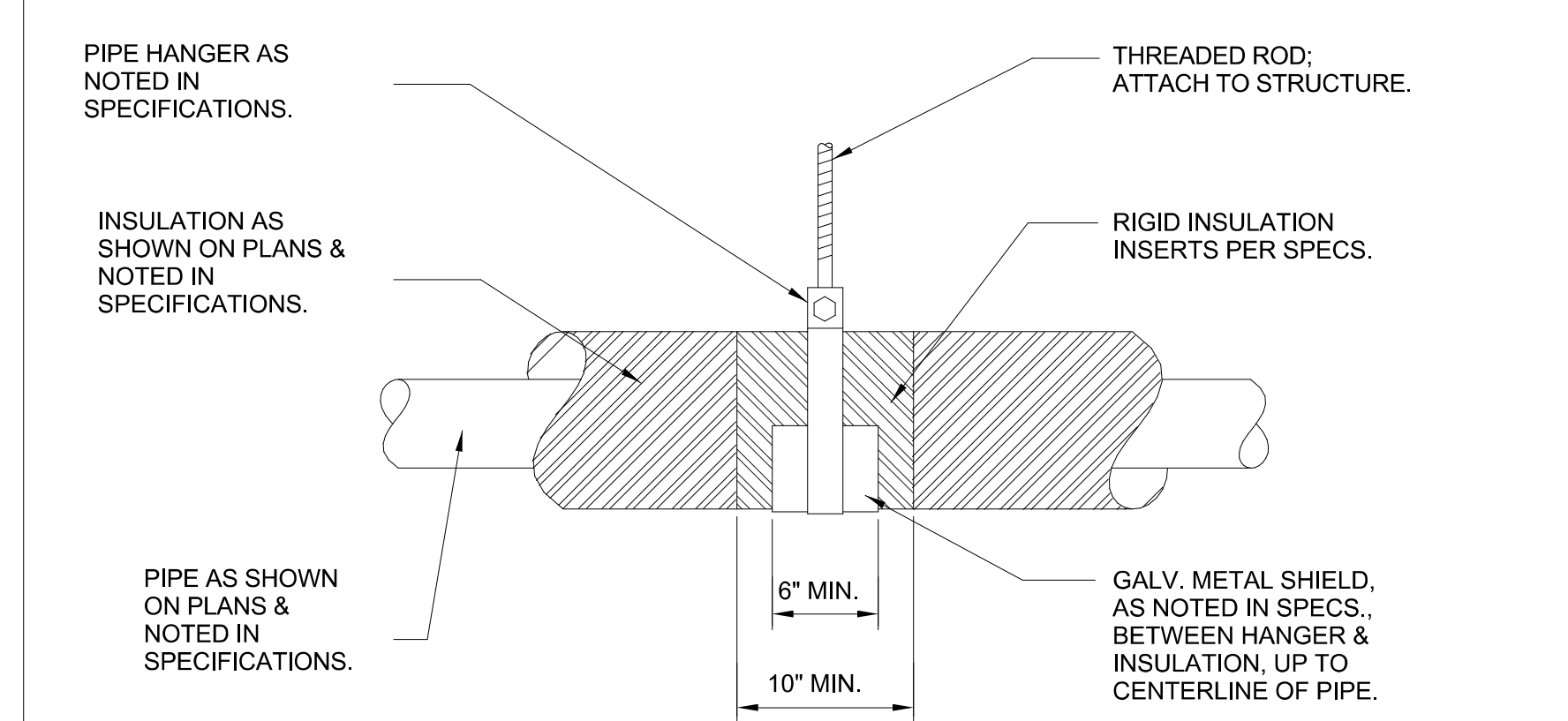
5 DETAIL - FREEZE RESISTANT WALL HYDRANT
SCALE: NONE



2 DETAIL - FLOOR DRAIN IN CONCRETE FLOOR
SCALE: NONE



6 DETAIL - INDIRECT WASTE DRAIN
SCALE: NONE



3 DETAIL - INSULATED PIPE HANGER
SCALE: NONE

UNOFFICIAL COPY Official bid documents, plan holder's list, and addenda (if applicable) are available on B2XA.com

PROJECT: 05102024.00108.01 - PROJECT: a23-087 - CITY OF FEDERAL WAY
FILE PATH: C:\Users\hargis\OneDrive\Documents\2024\Federal Way\City of Federal Way\Mechanical\BidSet\



HELIX DESIGN GROUP, INC.

HARGIS
1201 third avenue, ste 600
seattle, wa 98101
206.448.3376
www.hargis.biz
HARGIS ENGINEERS



5/6/2024

ELECTRICAL LEGEND AND DRAWING INDEX

CITY OF FEDERAL WAY
FLEET & SHOPS

FEDERAL WAY, WASHINGTON

Table with columns for REVISION and DATE. Includes a date stamp: DATE 05.06.24 JOB NO. a23-087

BID SET

DRAWING NO.
EBO01
Helix Design Group, Inc. All rights reserved. No part of this document may be reproduced or transmitted in any form or by any means without permission in writing from Helix Design Group.



NOT ALL SYMBOLS MAY APPEAR ON THE DRAWINGS

PROJECT: 20240511-1847-PW CITY OF FEDERAL WAY
FILE PATH: C:\Users\chris\Documents\20240511-1847-PW\CAD\20240511-1847-PW\BIDDING\BID_SET\electrical\legend\legend.dwg

UNOFFICIAL COPY Official bid documents, plan holder's list, and addenda (if applicable) are available on B2XWA.com

FLEET & SHOPS EQUIPMENT SCHEDULE											
UNIT NUMBER	UNIT DESCRIPTION	FLA	VOLT	PHASE	MOCP	CONNECTION TYPE	BRANCH CIRCUIT (COPPER) DESCRIPTION	DISCONNECT SWITCH		NOTES	UNIT NUMBER
								SIZE	FUSE		
WASH BAY EQUIPMENT (UTILITY) ROOM											
UR-01a	WATER MANAGEMENT PUMPING SYSTEM	16	208	1	20	HARDWIRED	3/4", 2#12, 1#12 N, 1#12 GND	30	-	1	UR-01a
UR-01b	AUTOMATIC FILTRATION SYSTEM	5	120	1	20	HARDWIRED	3/4", 1#12, 1#12 N, 1#12 GND	\$	-	-	UR-01b
UR-03	ELECTRIC HOT WATER PRESSURE WASHER	59	480	3	75	HARDWIRED	1-1/2", 3#2, 1#2 N, 16 GND	100	-	1	UR-03
UR-05a	UNIVERSAL CLARIFIER WITH COAG	9	120	1	20	HARDWIRED	3/4", 1#12, 1#12 N, 1#12 GND	\$	-	-	UR-05a
UR-05b	UNIVERSAL CLARIFIER WITH COAG	3	120	1	20	HARDWIRED	3/4", 1#12, 1#12 N, 1#12 GND	\$	-	-	UR-05b
UR-05c	UNIVERSAL CLARIFIER WITH COAG	9	120	1	20	HARDWIRED	3/4", 1#12, 1#12 N, 1#12 GND	\$	-	-	UR-05c
UR-05d	UNIVERSAL CLARIFIER WITH COAG	3	120	1	20	HARDWIRED	3/4", 1#12, 1#12 N, 1#12 GND	\$	-	-	UR-05d
UR-05e	UNIVERSAL CLARIFIER WITH COAG	10	UR	1	20	HARDWIRED	3/4", 1#12, 1#12 N, 1#12 GND	30	-	1	UR-05e
WASH BAY EQUIPMENT											
WB-05	UNDERCARRIAGE MANIFOLD WASH SYSTEM	25	208	3	35	HARDWIRED	1", 3#8, 1#8 N, 1#10 GND	60	-	1	WB-05
TIRE REPAIR/TIRE STORAGE											
TR-02	TIRE CHANGER	16	208	1	20	NEMA L6-20R	3/4", 2#10, 1#10 N, 1#10 GND	-	-	-	TR-02
TR-03	TIRE WHEEL BALANCER	10	208	1	20	NEMA L6-20R	3/4", 2#12, 1#12 GND	-	-	-	TR-03
FLEET MAINTENANCE BAY											
MB-01	EXHAUST REEL SET WITH FAN	1.1	480	3	15	HARDWIRED	3/4", 3#12, 1#12 N, 1#12 GND	30	-	1	MB-01
MB-03	MOBILE COLUMNS LIFT	16	208	1	20	NEMA 6-20R	3/4", 2#12, 1#12 GND	-	-	-	MB-03
MB-06	MOBILE COMPUTER CABINET	10	120	1	20	NEMA 5-20R	3/4", 1#12, 1#12 N, 1#12 GND	-	-	-	MB-06
MB-07a	5 TON BRIDGE CRAN	52.9	480	3	70	HARDWIRED	1-1/2", 3#2, 1#2 N, 16 GND	100	-	1	MB-07a
MB-07b	5 TON BRIDGE CRAN CONTROLS	5	120	1	20	HARDWIRED	3/4", 1#12, 1#12 N, 1#12 GND	30	-	1	MB-07b
P1	GENERAL POWER	40	120	1	50	NEMA 14-50R	1", 2#6, 1#6 N, 1#10 GND	-	-	-	P1
FABRICATION/WELDING BAY											
FS-01	MIG WELDER	68	208	1	90	HARDWIRED	1-1/2", 3#2, 1#2 N, 1#6 GND	100	-	1	FS-01
FS-02	MIG AND FLUX-CORED ARC WELDER	22.5	240	1	30	NEMA 14-50R	1", 3#10, 1#10 N, 1#10 GND	-	-	-	FS-02
FS-03	METAL BAND SAW	7.5	208/120	1	20	HARDWIRED	3/4", 2#12, 1#12 N, 1#12 GND	30	-	1	FS-03
FS-05	ARC WELDER	16	240	1	20	HARDWIRED	3/4", 2#12, 1#12 N, 1#12 GND	30	-	1	FS-05
FS-07	MOBILE WELD FUME EXTRACTOR	11.9	120	1	20	NEMA 5-20R	3/4", 1#12, 1#12 N, 1#12 GND	-	-	-	FS-07
FS-10	METAL CHOP SAW	15	120	1	20	NEMA 5-20R	3/4", 1#12, 1#12 N, 1#12 GND	-	-	-	FS-10
FS-13	PLASMA CUTTER	32	240/120	1	50	NEMA 6-50R	1", 3#6, 1#6 N, 1#10 GND	-	-	-	FS-13
FS-15	MANUAL BATTERY CHARGER / ENGINE STARTER	12.5	120	1	20	NEMA 5-20R	3/4", 2#12, 1#12 N, 1#12 GND	-	-	-	FS-15
FS-17	DRILL PRESS	11	230/115	1	20	HARDWIRED	3/4", 2#12, 1#12 N, 1#12 GND	30	-	1	FS-17
FS-18	SHOP GRINDER	15	120	1	20	NEMA 5-20R	3/4", 1#12, 1#12 N, 1#12 GND	-	-	-	FS-18
FS-19	TIG WELDER	50	240	1	70	HARDWIRED	1-1/2", 3#2, 1#2 N, 16 GND	100	-	1	FS-19
LUBE OIL											
LR-01	AIR COMPRESSOR	43	208	3	60	HARDWIRED	1-1/4", 3#4, 1#8 GND	60	-	1	LR-01
LR-02a	ELECTRIC DRUM PUMP	13.2	120	1	20	NEMA 5-20R	3/4", 1#12, 1#12 N, 1#12 GND	-	-	-	LR-02a
LR-02b	ELECTRIC DRUM PUMP	13.2	120	1	20	NEMA 5-20R	3/4", 1#12, 1#12 N, 1#12 GND	-	-	-	LR-02b
LR-02c	ELECTRIC DRUM PUMP	13.2	120	1	20	NEMA 5-20R	3/4", 1#12, 1#12 N, 1#12 GND	-	-	-	LR-02c
LR-03	ELECTRIC DRUM PUMP	13.2	120	1	20	NEMA 5-20R	3/4", 1#12, 1#12 N, 1#12 GND	-	-	-	LR-03
LR-04a	ELECTRIC DRUM PUMP	13.2	120	1	20	NEMA 5-20R	3/4", 1#12, 1#12 N, 1#12 GND	-	-	-	LR-04a
LR-04b	ELECTRIC DRUM PUMP	13.2	120	1	20	NEMA 5-20R	3/4", 1#12, 1#12 N, 1#12 GND	-	-	-	LR-04b
CARPENTRY SHOP											
CS-01	TABLE SAW	18	208	1	30	NEMA L6-30R	3/4", 2#10, 1#10 GND	-	-	-	CS-01
CS-02	BANDSAW	9.5	208	1	15	NEMA 6-15	3/4", 2#12, 1#12 GND	-	-	-	CS-02
CS-03	MITER SAW	15	120	1	20	NEMA 5-20R	3/4", 1#12, 1#12 N, 1#12 GND	-	-	-	CS-03
CS-04	DISC SANDER	11	120	1	20	NEMA 5-20R	3/4", 1#12, 1#12 N, 1#12 GND	-	-	-	CS-04
CS-05	DRILL PRESS	13	120	1	20	NEMA 5-20R	3/4", 1#12, 1#12 N, 1#12 GND	-	-	-	CS-05
CS-06	SHOP VACUUM	11	120	1	20	NEMA 5-20R	3/4", 1#12, 1#12 N, 1#12 GND	-	-	-	CS-06
CS-07	DUST COLLECTOR	9	230	1	30	HARDWIRED	3/4", 2#10, 1#10 GND	30	-	1	CS-07
FUEL ISLAND											
FA-01	FUEL STORAGE TANK	24	208	1	30	HARDWIRED	3/4", 2#10, 1#10 GND	30	-	1	FA-01
FA-05	FUEL DISPENSING PUMP	24	208	3	30	HARDWIRED	3/4", 3#10, 1#10 GND	30	-	1	FA-05
FA-06	CARDLOCK SYSTEM	16	120	1	20	HARDWIRED	3/4", 1#12, 1#12 N, 1#12 GND	30	-	1	FA-06
FA-07b	DEF TRANSFER PUMP SYSTEM	16	120	1	20	NEMA 5-20R	3/4", 1#12, 1#12 N, 1#12 GND	-	-	-	FA-07b

NOTES:
 1. PROVIDE LOCAL DISCONNECTING SWITCH SIZED AND RATED FOR ASSOCIATED EQUIPMENT.

MECHANICAL AND PLUMBING EQUIPMENT SCHEDULE

UNIT NUMBER	UNIT DESCRIPTION	KW	HP	ELEC. CHARACTERISTICS				FEEDER (COPPER) DESCRIPTION	DISCONNECT SWITCH		NOTES	UNIT NUMBER	
				FLA	VOLT	PHASE	MCA		MOCP	SIZE			FUSE
HRU-B-01	HEAT RECOVERY UNIT	-	-	-	480	3	23.1	25	3/4", 3#10, 1#10 N, 1#10 GND	30	-	2	HRU-B-01
HRU-B-02	HEAT RECOVERY UNIT	-	-	-	480	3	33.9	35	3/4", 3#8, 1#8 N, 1#10 GND	60	-	2	HRU-B-02
RTHP-B-01	ROOFTOP HEAT PUMP	6	-	-	480	3	21.5	25	3/4", 3#10, 1#10 N, 1#10 GND	30	-	2	RTHP-B-01
VRHP-B-01	VRF HEAT PUMP	-	-	-	480	3	21.3	25	3/4", 3#10, 1#10 N, 1#10 GND	30	-	2	VRHP-B-01
VRHP-B-02	VRF HEAT PUMP (DUAL CONNECTIONS)	-	-	-	480	3	21.3	25	3/4", 3#10, 1#10 N, 1#10 GND	30	-	2	VRHP-B-02
EF-B-01	EXHAUST FAN	-	1/15	2	120	1	2.5	15	3/4", 3#12, 1#12 N, 1#12 GND	\$	-	1	EF-B-01
EF-B-02	EXHAUST FAN	-	1/4	4	120	1	5	15	3/4", 3#12, 1#12 N, 1#12 GND	\$	-	1	EF-B-02
EF-B-03	EXHAUST FAN	-	3/4	11	120	1	13.75	30	3/4", 3#10, 1#10 N, 1#10 GND	30	-	2	EF-B-03
SF-B-01	EXHAUST FAN	-	1/6	3	120	1	3.75	15	3/4", 3#12, 1#12 N, 1#12 GND	\$	-	1	SF-B-01
TU-B-01	VARIABLE AIR VOLUME UNIT	7	-	-	480	3	-	15	3/4", 3#12, 1#12 N, 1#12 GND	30	-	2	TU-B-01
TU-B-02	VARIABLE AIR VOLUME UNIT	7	-	-	480	3	-	15	3/4", 3#12, 1#12 N, 1#12 GND	30	-	2	TU-B-02
TU-B-03	VARIABLE AIR VOLUME UNIT	2.5	-	-	480	3	-	15	3/4", 3#12, 1#12 N, 1#12 GND	30	-	2	TU-B-03
TU-B-04	VARIABLE AIR VOLUME UNIT	2.5	-	-	480	3	-	15	3/4", 3#12, 1#12 N, 1#12 GND	30	-	2	TU-B-04
TU-B-05	VARIABLE AIR VOLUME UNIT	9	-	-	480	3	-	15	3/4", 3#12, 1#12 N, 1#12 GND	30	-	2	TU-B-05
TU-B-06	VARIABLE AIR VOLUME UNIT	9	-	-	480	3	-	15	3/4", 3#12, 1#12 N, 1#12 GND	30	-	2	TU-B-06
TU-B-07	VARIABLE AIR VOLUME UNIT	2.5	-	-	480	3	-	15	3/4", 3#12, 1#12 N, 1#12 GND	30	-	2	TU-B-07
TU-B-08	VARIABLE AIR VOLUME UNIT	2.5	-	-	480	3	-	15	3/4", 3#12, 1#12 N, 1#12 GND	30	-	2	TU-B-08
TU-B-09	VARIABLE AIR VOLUME UNIT	2.5	-	-	480	3	-	15	3/4", 3#12, 1#12 N, 1#12 GND	30	-	2	TU-B-09
TU-B-10	VARIABLE AIR VOLUME UNIT	5	-	-	480	3	-	15	3/4", 3#12, 1#12 N, 1#12 GND	30	-	2	TU-B-10
TU-B-11	VARIABLE AIR VOLUME UNIT	4	-	-	480	3	-	15	3/4", 3#12, 1#12 N, 1#12 GND	30	-	2	TU-B-11
EUH-B-01	ELECTRIC UNIT HEATER	3	-	-	480	3	-	20	3/4", 3#12, 1#12 N, 1#12 GND	30	-	2	EUH-B-01
EUH-B-02	ELECTRIC UNIT HEATER	3	-	-	480	3	-	20	3/4", 3#12, 1#12 N, 1#12 GND	30	-	2	EUH-B-02
EUH-B-03	ELECTRIC UNIT HEATER	3	-	-	480	3	-	20	3/4", 3#12, 1#12 N, 1#12 GND	30	-	2.4	EUH-B-03
EDH-B-01	ELECTRIC DUCT HEATER	6	-	-	480	3	-	20	3/4", 3#12, 1#12 N, 1#12 GND	30	-	2	EDH-B-01
ACU-B-01	SPLIT SYSTEM AIR CONDITIONER	-	-	-	208	1	1	15	3/4", 2#12, 1#12 N, 1#12 GND	30	-	2.3	ACU-B-01
HP-B-01	SPLIT SYSTEM AIR CONDITIONER	-	-	-	208	1	12.3	15	3/4", 2#12, 1#12 N, 1#12 GND	30	-	2.3	HP-B-01
ACU-B-02	SPLIT SYSTEM AIR CONDITIONER	-	-	-	208	1	1	20	3/4", 2#12, 1#12 N, 1#12 GND	30	-	2.3	ACU-B-02
HP-B-02	SPLIT SYSTEM AIR CONDITIONER	-	-	-	208	1	19.8	20	3/4", 2#12, 1#12 N, 1#12 GND	30	-	2.3	HP-B-02
DWBP-B-01	DOMESTIC WATER - BOOSTER PUMP	18	(2)3	-	480	3	10.8	15	3/4", 3#12, 1#12 N, 1#12 GND	30	-	2	DWBP-B-01
EWB-B-01	ELECTRIC INSTANTANEOUS WATER HEATER	18	-	-	480	3	27	30	3/4", 3#10, 1#10 N, 1#10 GND	30	-	2	EWB-B-01
EWB-B-02	ELECTRIC INSTANTANEOUS WATER HEATER	18	-	-	480	3	27	30	3/4", 3#10, 1#10 N, 1#10 GND	30	-	2	EWB-B-02
EWB-B-03	ELECTRIC INSTANTANEOUS WATER HEATER	18	-	-	480	3	27	30	3/4", 3#10, 1#10 N, 1#10 GND	30	-	2	EWB-B-03
EWB-B-04	ELECTRIC INSTANTANEOUS WATER HEATER	18	-	-	480	3	27	30	3/4", 3#10, 1#10 N, 1#10 GND	30	-	2	EWB-B-04
EWB-B-05	ELECTRIC INSTANTANEOUS WATER HEATER	18	-	-	480	3	27	30	3/4", 3#10, 1#10 N, 1#10 GND	30	-	2	EWB-B-05
EWB-B-06	ELECTRIC INSTANTANEOUS WATER HEATER	36	-	-	480	3	54.2	55	1", 3#6, 1#6 N, 1#10 GND	60	-	2	EWB-B-06
EWB-B-07	ELECTRIC INSTANTANEOUS WATER HEATER	18	-	-	480	3	27	30	3/4", 3#10, 1#10 N, 1#10 GND	30	-	2	EWB-B-07
EWB-B-08	ELECTRIC INSTANTANEOUS WATER HEATER	18	-	-	480	3	27	30	3/4", 3#10, 1#10 N, 1#10 GND	30	-	2	EWB-B-08
AC-B-01	AIR COMPRESSOR	15	-	-	480	3	21	25	3/4", 3#10, 1#10 N, 1#10 GND	30	-	2	AC-B-01
AC-B-02	AIR COMPRESSOR												



HELIX DESIGN GROUP, INC.

HARGIS 1201 third avenue, ste 600 seattle, wa 98101 206.448.3376 www.hargis.biz HARGIS ENGINEERS



5/6/2024

PANEL SCHEDULES

CITY OF FEDERAL WAY FLEET & SHOPS

FEDERAL WAY, WASHINGTON

REVISION DATE

DATE 05.06.24 JOB NO. a23-087 BID SET

EB902

DRAWING NO. HELIX DESIGN GROUP, INC. All rights reserved. No part of this document may be reproduced or transmitted in any form or by any means without permission in writing from Helix Design Group.

MAIN SWITCHBOARD SUMMARY: 03/11/2024 MAIN SWITCHBOARD 'MSB' PROJECT: Federal Way O&M Facility. Classification: Normal. Voltage: 480Y/277V 3Ø, 4-WIRE. Main: 400A MAIN LUGS ONLY. Neutral: 100% RATED. Includes load calculations for miscellaneous continuous, equipment & miscellaneous, lighting, largest motor, motors, receptacle, receptacles over 10VA, computer, electric heating, cooling, and kitchen (equip = 6). Total connected load: 1,395,029 VA.

DIST. PANEL SUMMARY: 05/07/2024 DIST. PANEL 'MDPB' PROJECT: Federal Way O&M Facility. Classification: Normal. Voltage: 480Y/277V 3Ø, 4-WIRE. Main: 1600A MAIN LUGS ONLY. Neutral: 100% RATED. Includes load calculations for miscellaneous continuous, equipment & miscellaneous, lighting, largest motor, motors, receptacle, receptacles over 10VA, and cooling. Total connected load: 775,527 VA.

PANEL SCHEDULE: 05/05/2024 PANEL 'MHB' PROJECT: Federal Way O&M Facility. Classification: Normal. Voltage: 480Y/277V 3Ø, 4-WIRE. Main: 400A MAIN LUGS ONLY. Neutral: 100% RATED. Section 1 of 1. Includes item descriptions and load calculations for various equipment like HRU, EHM, EUB, EUM, TUB, and EUP. Total connected load: 293,778 VA.

PANEL SCHEDULE: 03/11/2024 PANEL 'PHB' PROJECT: Federal Way O&M Facility. Classification: Normal. Voltage: 480Y/277V 3Ø, 4-WIRE. Main: 400A MAIN LUGS ONLY. Neutral: 100% RATED. Section 1 of 1. Includes item descriptions and load calculations for equipment like EWB, EWB-02, EWB-03, EWB-04, EWB-06, EWB-07, EWB-08, EWB-09, EWB-10, EWB-11, EWB-12, EWB-13, EWB-14, EWB-15, EWB-16, EWB-17, EWB-18, EWB-19, EWB-20, EWB-21, EWB-22, EWB-23, EWB-24, EWB-25, EWB-26, EWB-27, EWB-28, EWB-29, EWB-30, EWB-31, EWB-32, EWB-33, EWB-34, EWB-35, EWB-36, EWB-37, EWB-38, EWB-39, EWB-40, EWB-41, EWB-42. Total connected load: 174,365 VA.

PANEL SCHEDULE: 05/07/2024 PANEL 'LB' PROJECT: Federal Way O&M Facility. Classification: Normal. Voltage: 480Y/277V 3Ø, 4-WIRE. Main: 1600A MAIN LUGS ONLY. Neutral: 100% RATED. Section 1 of 1. Includes item descriptions and load calculations for equipment like LG, LG-01, LG-02, LG-03, LG-04, LG-05, LG-06, LG-07, LG-08, LG-09, LG-10, LG-11, LG-12, LG-13, LG-14, LG-15, LG-16, LG-17, LG-18, LG-19, LG-20, LG-21, LG-22, LG-23, LG-24, LG-25, LG-26, LG-27, LG-28, LG-29, LG-30, LG-31, LG-32, LG-33, LG-34, LG-35, LG-36, LG-37, LG-38, LG-39, LG-40, LG-41, LG-42. Total connected load: 10,793 VA.

DIST. PANEL SUMMARY: 03/10/2024 DIST. PANEL 'LDPB' PROJECT: Federal Way O&M Facility. Classification: Normal. Voltage: 208Y/120V 3Ø, 4-WIRE. Main: 1000A MAIN CIRCUIT BREAKER. Neutral: 100% RATED. Includes load calculations for miscellaneous continuous, equipment & miscellaneous, lighting, largest motor, motors, receptacle, receptacles over 10VA, and largest arc welder. Total connected load: 13,709 VA.

PANEL SCHEDULE: 05/07/2024 PANEL 'RB1' PROJECT: Federal Way O&M Facility. Classification: Normal. Voltage: 208Y/120V 3Ø, 4-WIRE. Main: 400A MAIN LUGS ONLY. Neutral: 100% RATED. Section 1 of 1. Includes item descriptions and load calculations for equipment like REC, REC-01, REC-02, REC-03, REC-04, REC-05, REC-06, REC-07, REC-08, REC-09, REC-10, REC-11, REC-12, REC-13, REC-14, REC-15, REC-16, REC-17, REC-18, REC-19, REC-20, REC-21, REC-22, REC-23, REC-24, REC-25, REC-26, REC-27, REC-28, REC-29, REC-30, REC-31, REC-32, REC-33, REC-34, REC-35, REC-36, REC-37, REC-38, REC-39, REC-40, REC-41, REC-42, REC-43, REC-44, REC-45, REC-46, REC-47, REC-48, REC-49, REC-50, REC-51, REC-52, REC-53, REC-54, REC-55, REC-56, REC-57, REC-58, REC-59, REC-60, REC-61, REC-62, REC-63, REC-64, REC-65, REC-66, REC-67, REC-68, REC-69, REC-70, REC-71, REC-72, REC-73, REC-74, REC-75, REC-76, REC-77, REC-78, REC-79, REC-80, REC-81, REC-82, REC-83, REC-84, REC-85, REC-86, REC-87, REC-88, REC-89, REC-90, REC-91, REC-92, REC-93, REC-94, REC-95, REC-96, REC-97, REC-98, REC-99, REC-100. Total connected load: 124,863 VA.

PANEL SCHEDULE: 05/05/2024 PANEL 'RB2' PROJECT: Federal Way O&M Facility. Classification: Normal. Voltage: 208Y/120V 3Ø, 4-WIRE. Main: 225A MAIN LUGS ONLY. Neutral: 100% RATED. Section 1 of 1. Includes item descriptions and load calculations for equipment like EQUIP, EQUIP-01, EQUIP-02, EQUIP-03, EQUIP-04, EQUIP-05, EQUIP-06, EQUIP-07, EQUIP-08, EQUIP-09, EQUIP-10, EQUIP-11, EQUIP-12, EQUIP-13, EQUIP-14, EQUIP-15, EQUIP-16, EQUIP-17, EQUIP-18, EQUIP-19, EQUIP-20, EQUIP-21, EQUIP-22, EQUIP-23, EQUIP-24, EQUIP-25, EQUIP-26, EQUIP-27, EQUIP-28, EQUIP-29, EQUIP-30, EQUIP-31, EQUIP-32, EQUIP-33, EQUIP-34, EQUIP-35, EQUIP-36, EQUIP-37, EQUIP-38, EQUIP-39, EQUIP-40, EQUIP-41, EQUIP-42, EQUIP-43, EQUIP-44, EQUIP-45, EQUIP-46, EQUIP-47, EQUIP-48, EQUIP-49, EQUIP-50, EQUIP-51, EQUIP-52, EQUIP-53, EQUIP-54, EQUIP-55, EQUIP-56, EQUIP-57, EQUIP-58, EQUIP-59, EQUIP-60, EQUIP-61, EQUIP-62, EQUIP-63, EQUIP-64, EQUIP-65, EQUIP-66, EQUIP-67, EQUIP-68, EQUIP-69, EQUIP-70, EQUIP-71, EQUIP-72, EQUIP-73, EQUIP-74, EQUIP-75, EQUIP-76, EQUIP-77, EQUIP-78, EQUIP-79, EQUIP-80, EQUIP-81, EQUIP-82, EQUIP-83, EQUIP-84, EQUIP-85, EQUIP-86, EQUIP-87, EQUIP-88, EQUIP-89, EQUIP-90, EQUIP-91, EQUIP-92, EQUIP-93, EQUIP-94, EQUIP-95, EQUIP-96, EQUIP-97, EQUIP-98, EQUIP-99, EQUIP-100. Total connected load: 31,486 VA.

PANEL SCHEDULE: 05/05/2024 PANEL 'RB3' PROJECT: Federal Way O&M Facility. Classification: Normal. Voltage: 208Y/120V 3Ø, 4-WIRE. Main: 100A MAIN LUGS ONLY. Neutral: 100% RATED. Section 1 of 1. Includes item descriptions and load calculations for equipment like EQUIP, EQUIP-01, EQUIP-02, EQUIP-03, EQUIP-04, EQUIP-05, EQUIP-06, EQUIP-07, EQUIP-08, EQUIP-09, EQUIP-10, EQUIP-11, EQUIP-12, EQUIP-13, EQUIP-14, EQUIP-15, EQUIP-16, EQUIP-17, EQUIP-18, EQUIP-19, EQUIP-20, EQUIP-21, EQUIP-22, EQUIP-23, EQUIP-24, EQUIP-25, EQUIP-26, EQUIP-27, EQUIP-28, EQUIP-29, EQUIP-30, EQUIP-31, EQUIP-32, EQUIP-33, EQUIP-34, EQUIP-35, EQUIP-36, EQUIP-37, EQUIP-38, EQUIP-39, EQUIP-40, EQUIP-41, EQUIP-42, EQUIP-43, EQUIP-44, EQUIP-45, EQUIP-46, EQUIP-47, EQUIP-48, EQUIP-49, EQUIP-50, EQUIP-51, EQUIP-52, EQUIP-53, EQUIP-54, EQUIP-55, EQUIP-56, EQUIP-57, EQUIP-58, EQUIP-59, EQUIP-60, EQUIP-61, EQUIP-62, EQUIP-63, EQUIP-64, EQUIP-65, EQUIP-66, EQUIP-67, EQUIP-68, EQUIP-69, EQUIP-70, EQUIP-71, EQUIP-72, EQUIP-73, EQUIP-74, EQUIP-75, EQUIP-76, EQUIP-77, EQUIP-78, EQUIP-79, EQUIP-80, EQUIP-81, EQUIP-82, EQUIP-83, EQUIP-84, EQUIP-85, EQUIP-86, EQUIP-87, EQUIP-88, EQUIP-89, EQUIP-90, EQUIP-91, EQUIP-92, EQUIP-93, EQUIP-94, EQUIP-95, EQUIP-96, EQUIP-97, EQUIP-98, EQUIP-99, EQUIP-100. Total connected load: 87 A.

RECEPTACLE PANEL. Includes load calculations for miscellaneous continuous, equipment & miscellaneous, lighting, largest motor, motors, receptacle, receptacles over 10VA. Total connected load: 124,863 VA.

RECEPTACLE PANEL. Includes load calculations for miscellaneous continuous, equipment & miscellaneous, lighting, largest motor, motors, receptacle, receptacles over 10VA. Total connected load: 31,486 VA.

RECEPTACLE PANEL. Includes load calculations for miscellaneous continuous, equipment & miscellaneous, lighting, largest motor, motors, receptacle, receptacles over 10VA. Total connected load: 14,672 VA.

NOTES: RECEPTACLE PANEL. 1. PROVIDE GFCI BREAKER. 2. PROVIDE CIRCUIT BREAKER. AND LOCABLE IN THE POSITION IF REQUIRED LABEL B 942P.

NOTES: RECEPTACLE PANEL. 1. PROVIDE GFCI BREAKER. 2. PROVIDE CIRCUIT BREAKER. AND LOCABLE IN THE POSITION IF REQUIRED LABEL B 942P.

NOTES: RECEPTACLE PANEL. 1. PROVIDE GFCI BREAKER. 2. PROVIDE CIRCUIT BREAKER. AND LOCABLE IN THE POSITION IF REQUIRED LABEL B 942P.

PROJECT: 05/06/2024 11:00AM PM. PROJECT: 2024-08-01 CITY OF FEDERAL WAY. FILE PATH: C:\Users\chris\Documents\2024\05062024\Federal Way Fleet & Shops\EB902\EB902.dwg. PLotted: 07/2024 11:00AM PM. PROJECT: 2024-08-01 CITY OF FEDERAL WAY. FILE PATH: C:\Users\chris\Documents\2024\05062024\Federal Way Fleet & Shops\EB902\EB902.dwg.

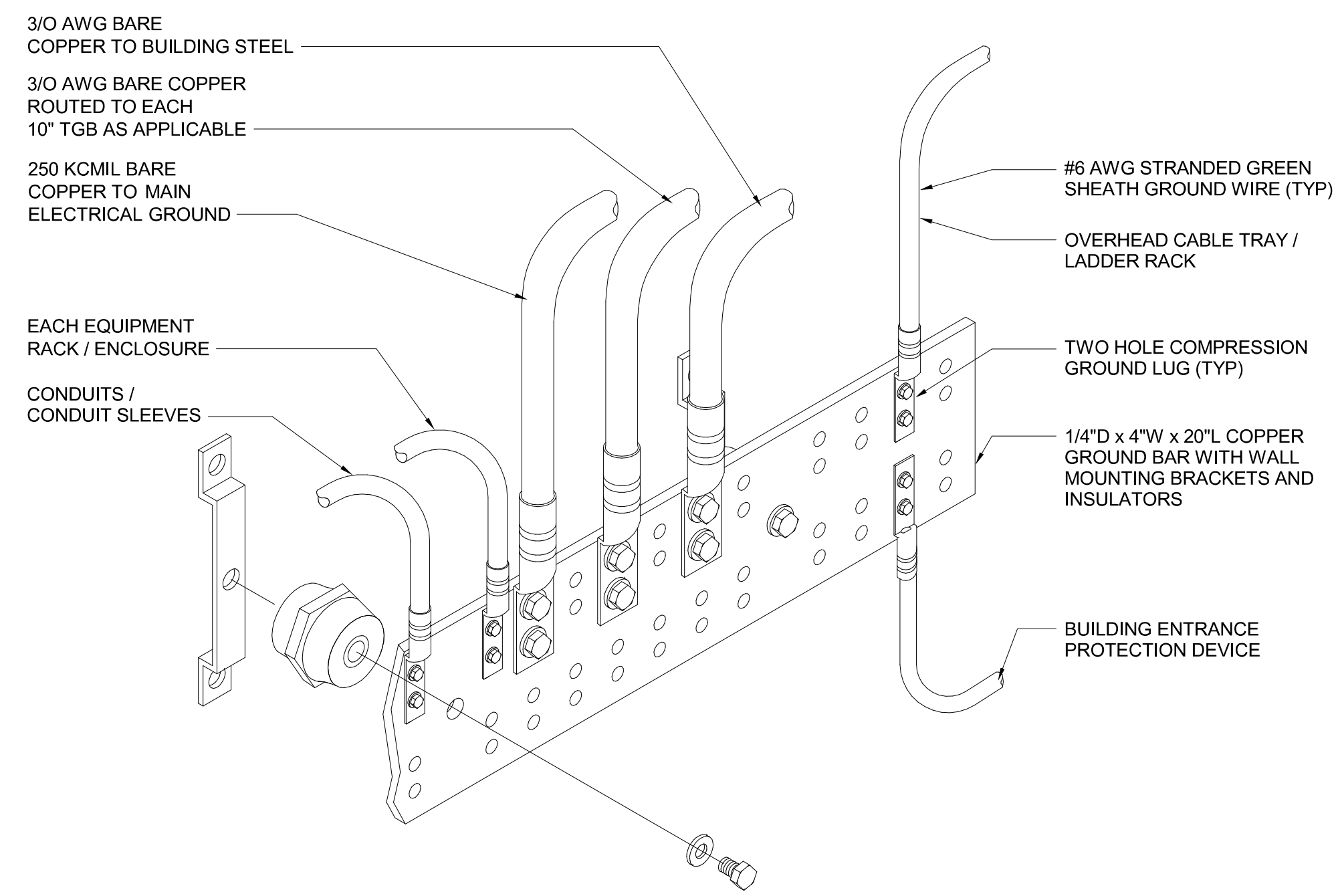
UNOFFICIAL COPY Official bid documents, plan holder's list, and addenda (if applicable) are available on B2XA.com

A | B | C | D | E | F | G | H | J | K

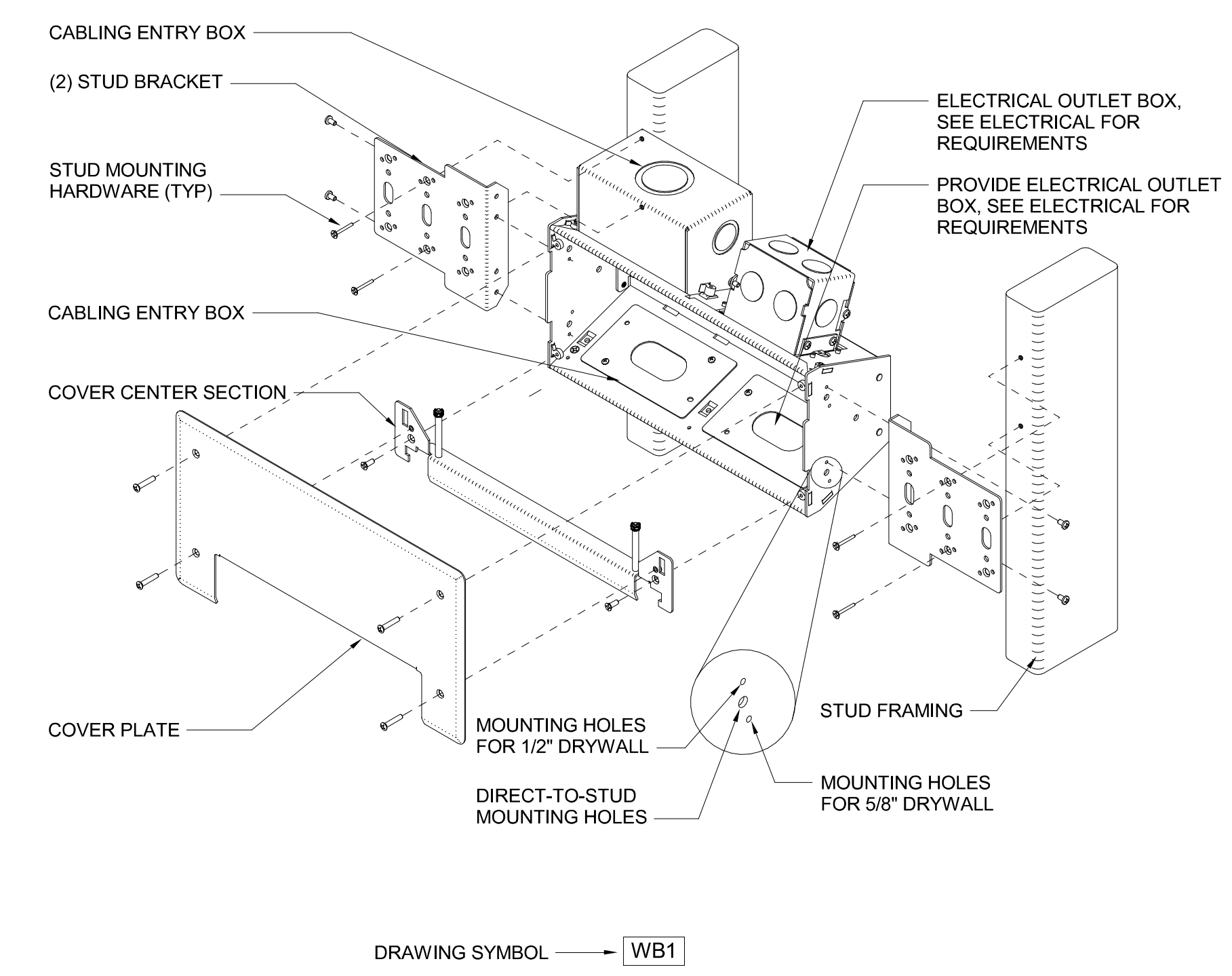
1 | 2 | 3 | 4 | 5 | 6 | 7 | 8 | 9 | 10

A | B | C | D | E | F | G | H | J | K

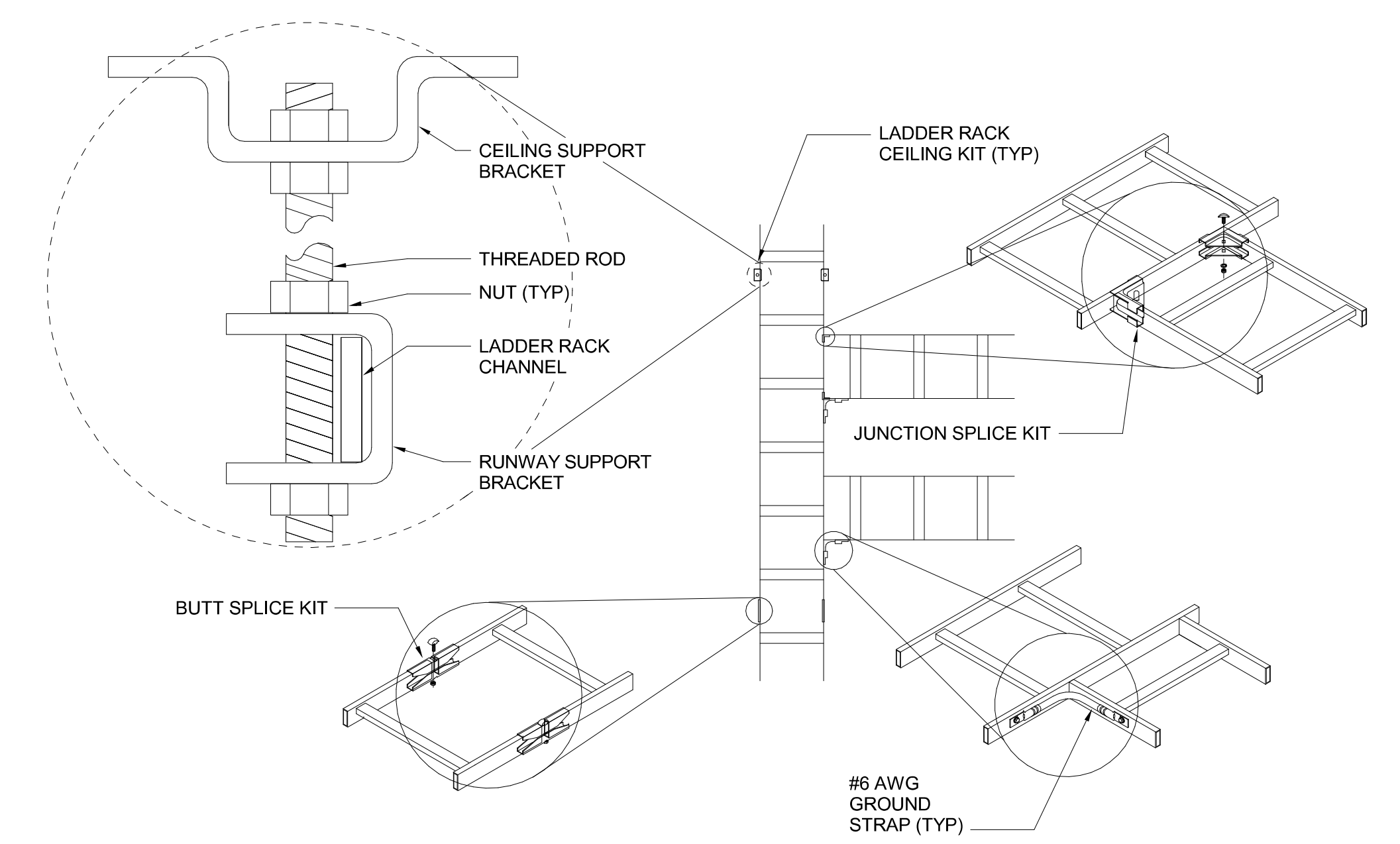
1
2
3
4
5
6
7
8
9
10



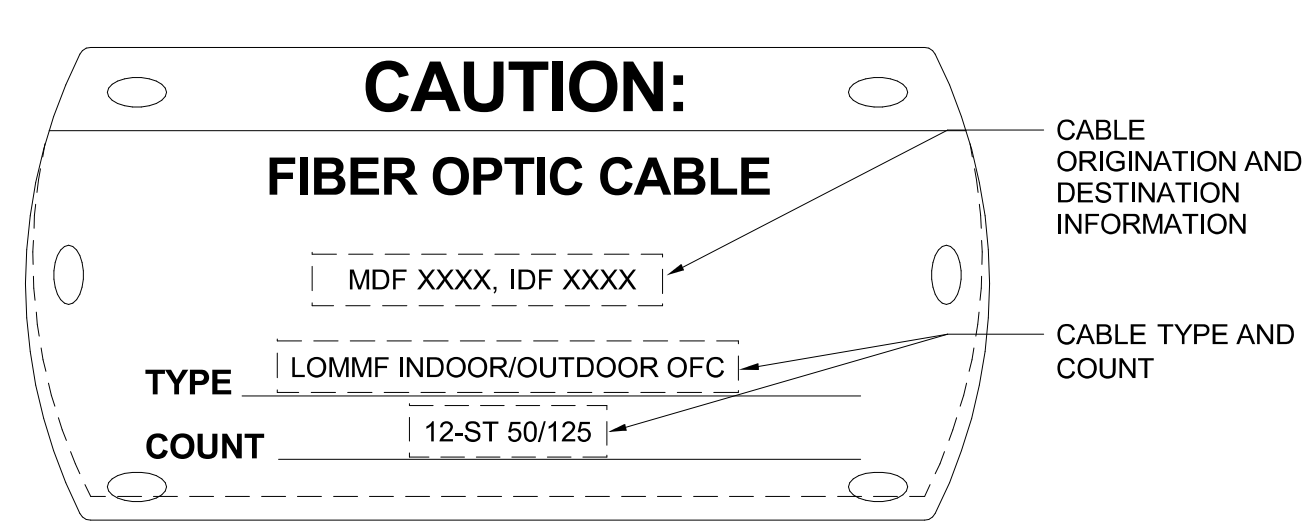
1 **DETAIL - TELECOMMUNICATIONS GROUND BUSBAR ASSEMBLY - 20"**
 TB802 / SCALE: NONE



6 **DETAIL - WALL BOX TYPE 1**
 TB802 / SCALE: NONE

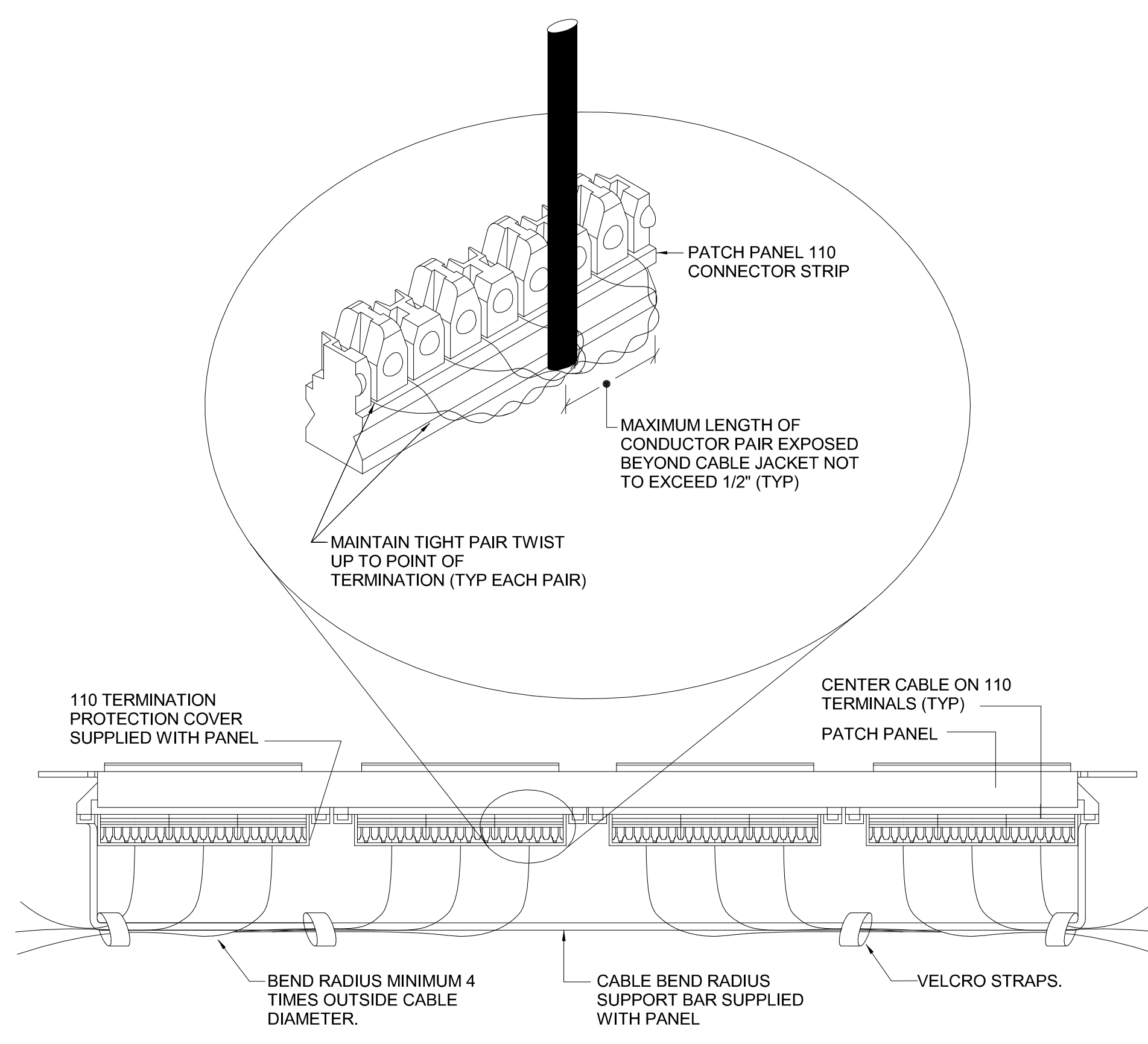


3 **DETAIL - LADDER RACK INSTALLATION**
 TB802 / SCALE: NONE



- NOTES:**
1. THE PART NUMBER AND TYPE ABOVE ARE EXAMPLES ONLY. PROVIDE THE CORRECT INFORMATION IN TAG PER SPECIFICATIONS OF INSTALLED TYPE. OTHER CABLE TYPES AND CONFIGURATIONS MAY VARY.
 2. REFER TO TELECOMMUNICATIONS RISER DIAGRAM AND TERMINATION SCHEDULES FOR CABLE ORIGIN AND DESTINATION LOCATIONS, CABLE TYPES, AND STRAND/PAIR COUNTS.

4 **DETAIL - OPTICAL FIBER CABLE MARKER DETAIL**
 TB802 / SCALE: NONE



5 **DETAIL - UNIVERSAL PATCH PANEL TERMINATION**
 TB802 / SCALE: NONE



HELIX DESIGN GROUP, INC

HARGIS
 1201 third avenue, ste 600
 seattle, wa 98101
 206.448.3376
 www.hargis.biz
 HARGIS ENGINEERS



TELECOM DETAILS

CITY OF FEDERAL WAY
 FLEET & SHOPS

FEDERAL WAY, WASHINGTON	
REVISION	DATE
DATE 05.06.24	JOB NO. 023-087
BID SET	

10 TB802

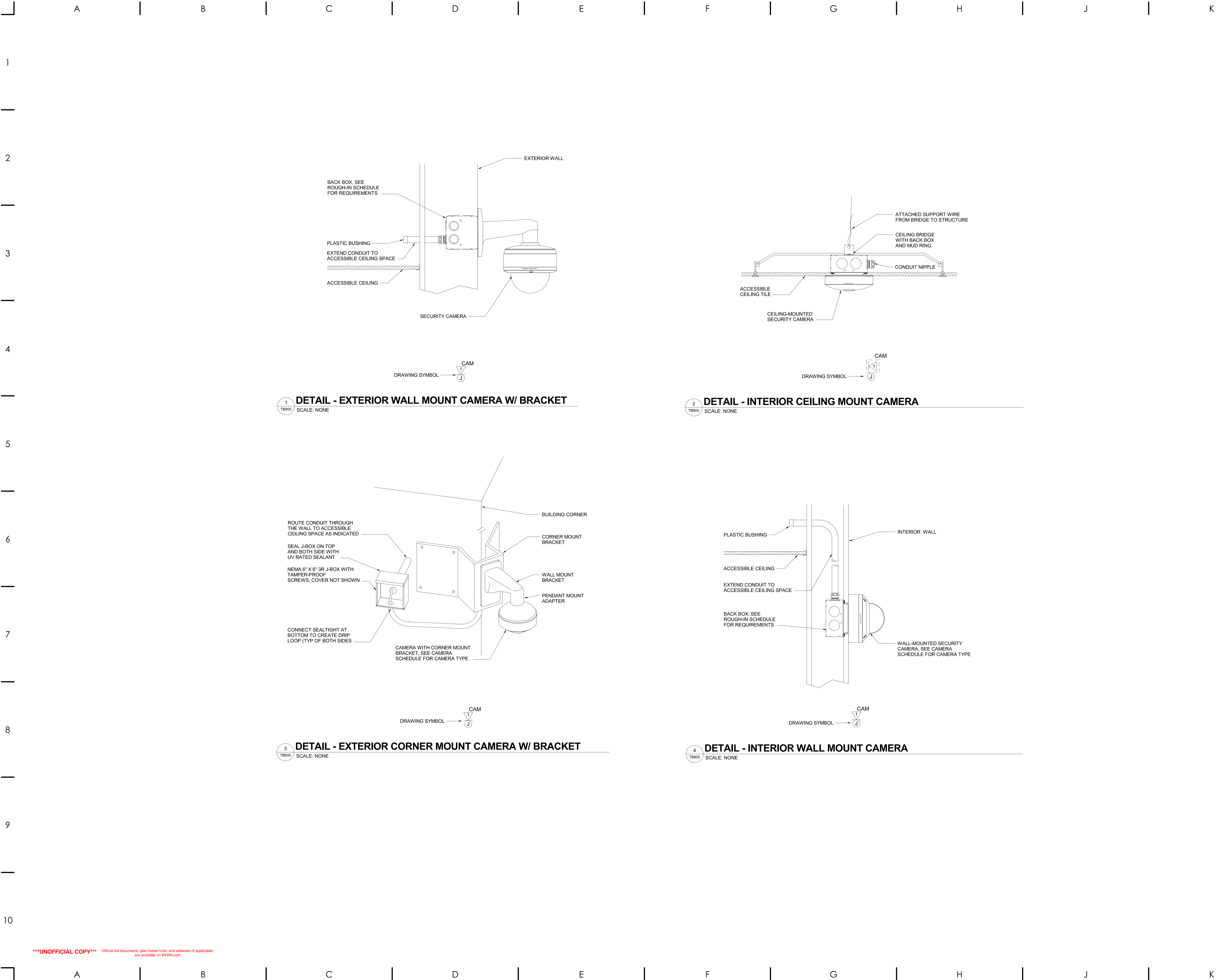
DRAWING NO.
 © HELIX DESIGN GROUP, INC. All rights reserved.
 No part of this document may be reproduced in any form or by any means without permission in writing from Helix Design Group.

PLOTTED: 05/06/24 5:01:09 PM PROJECT: 2023-087 - CITY OF FEDERAL WAY, WA FILE PATH: C:\Users\jchambers\Documents\TB802\05-06-24\FleetShop Bldg B - Elec_Inv\023-087-04

UNOFFICIAL COPY Official bid documents, plan holder's list, and addenda (if applicable) are available on BIXWA.com

A | B | C | D | E | F | G | H | J | K

FEDERAL WAY, WASHINGTON	
REVISION	DATE
DATE	JOB NO.
05.04.24	023-087
BID SET	



PLOTTED: 05/02/24 5:01:12 PM PROJECT: 023-087, CITY OF FEDERAL WAY, FILE PATH: C:\Users\jchambers\Documents_TB805\FleetAndShops\FB_Elec_Jan2024\TCHW-04

UNOFFICIAL COPY Official bid documents, plan holder's list, and addenda (if applicable) are available on BIXWA.com

