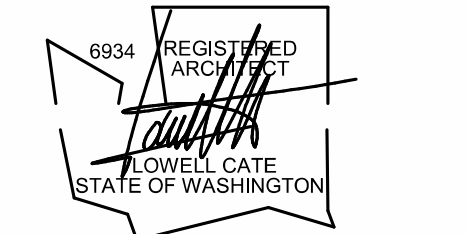


CITY OF FEDERAL WAY

JOINT OPERATIONS & MAINTENANCE FACILITY

VOL. II BUILDING B - FLEET & MAINTENANCE



HELIX DESIGN GROUP, INC.

SHEET INDEX

ARCHITECTURAL DRAWINGS

- AB002 VOLUME II SUBCOVER SHEET
- AB000 PICTORIAL VIEWS
- AB020 CODE INFORMATION
- AB030 BUILDING ASSEMBLY LEGEND
- AB035 BUILDING THERMAL ENVELOPE LEGEND
- AB040 COLORS AND MATERIALS SCHEDULE
- AB000 COMPOSITE FLOOR PLAN
- AB010 COMPOSITE FLOOR PLAN - UPPER FLOORS
- AB020 PARTIAL FLOOR PLAN
- AB030 PARTIAL FLOOR PLAN
- AB000 ROOF PLAN
- AB020 REFLECTED CEILING PLAN
- AB020 REFLECTED CEILING PLAN
- AB040 ENLARGED FLOOR PLANS
- AB200 SCHEDULES
- AB300 EXTERIOR ELEVATIONS
- AB301 EXTERIOR ELEVATIONS
- AB302 EXTERIOR ELEVATIONS
- AB303 EXTERIOR ELEVATIONS
- AB400 BUILDING SECTIONS
- AB400 BUILDING SECTIONS
- AB500 WALL SECTIONS
- AB501 WALL SECTIONS
- AB400 STANDARD CASEWORK AND FIXTURES
- AB460 INTERIOR ELEVATIONS
- AB700 EXTERIOR DETAILS
- AB701 EXTERIOR DETAILS
- AB702 EXTERIOR DETAILS
- AB703 EXTERIOR DETAILS
- AB720 INTERIOR DETAILS

ELECTRICAL DRAWINGS

- EB001 ELECTRICAL LEGEND AND DRAWING INDEX
- EB002 ELECTRICAL ABBREVIATIONS
- EB003 ELECTRICAL SCHEDULES
- EB004 ELECTRICAL SCHEDULES
- EB001 MAIN FLOOR LIGHTING CONTROL ZONE PLAN - SOUTH
- EB002 MAIN FLOOR LIGHTING CONTROL ZONE PLAN - NORTH
- EB201 MAIN FLOOR LIGHTING PLAN - SOUTH
- EB202 MAIN FLOOR LIGHTING PLAN - NORTH
- EB301 MAIN FLOOR POWER PLAN - SOUTH
- EB302 MAIN FLOOR POWER PLAN - NORTH
- EB401 MAIN FLOOR MECHANICAL POWER PLAN - SOUTH
- EB402 MAIN FLOOR MECHANICAL POWER PLAN - NORTH
- EB501 ELECTRICAL ENLARGED PLAN
- EB502 ELECTRICAL ENLARGED PLAN
- EB701 MAIN FLOOR FIRE ALARM PLAN-SOUTH
- EB702 MAIN FLOOR FIRE ALARM PLAN - NORTH
- EB801 ELECTRICAL DETAILS
- EB802 ELECTRICAL DETAILS
- EB901 ELECTRICAL ONE-LINE DIAGRAM
- EB902 PANEL SCHEDULES
- EB903 PANEL SCHEDULES

FIRE PROTECTION DRAWINGS

- FB001 FIRE PROTECTION LEGEND, GENERAL NOTES, SCHEDULES AND DRAWING INDEX
- FB001 MAIN FLOOR FIRE PROTECTION PLAN - SOUTH
- FB002 MAIN FLOOR FIRE PROTECTION PLAN - NORTH
- FB201 MAIN FLOOR HAZARD LEVEL ZONING PLAN - SOUTH
- FB202 MAIN FLOOR HAZARD LEVEL ZONING PLAN - NORTH
- FB601 FIRE PROTECTION DETAILS AND DIAGRAMS

TELE COMMUNICATION DRAWINGS

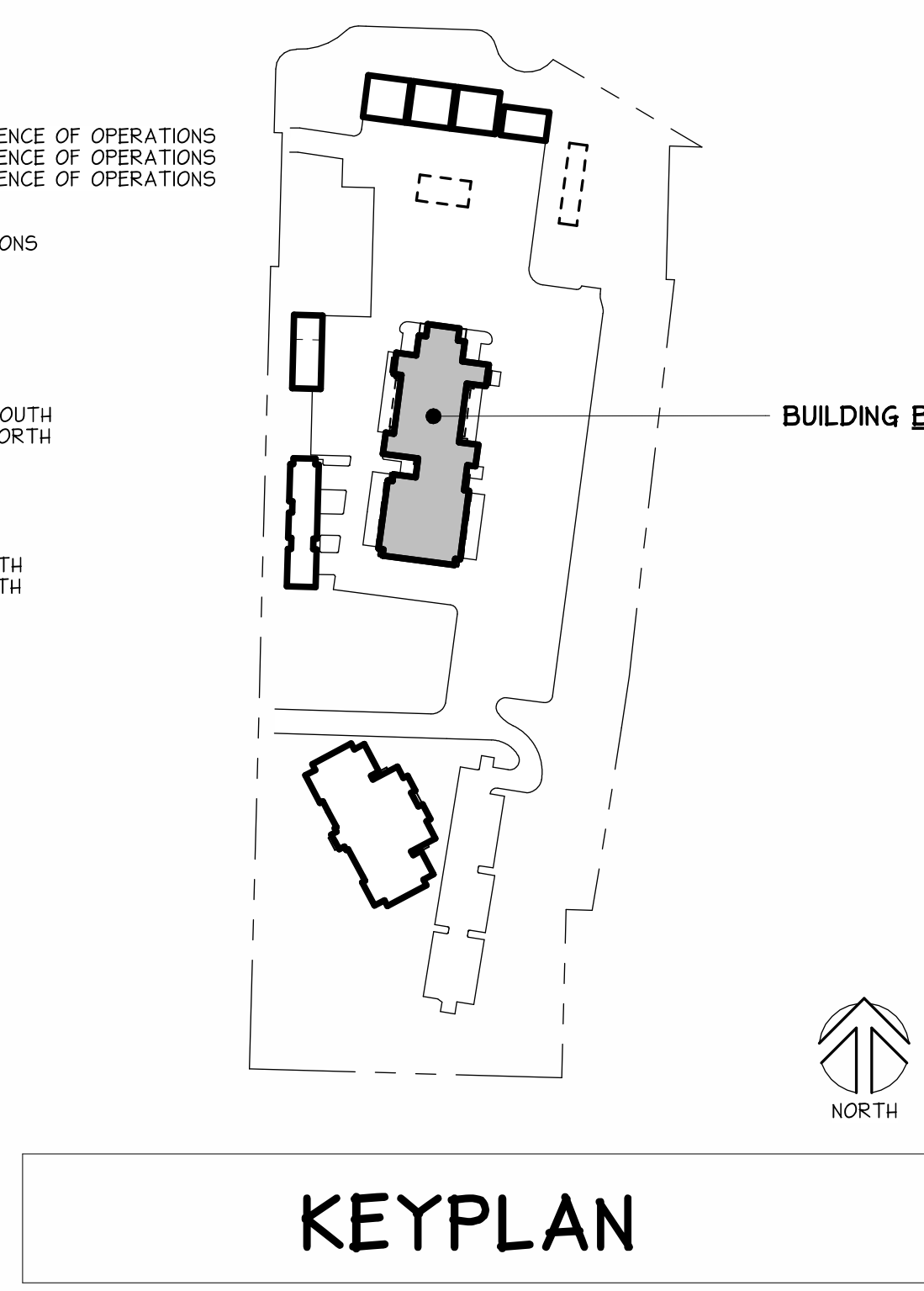
- TB001 TELECOM LEGEND, GENERAL NOTES, ABBREVIATIONS & DRAWING INDEX
- TB002 TELECOM AND SECURITY ROUGH-IN SCHEDULE
- TB401 MAIN FLOOR TELECOM PLAN - SOUTH
- TB402 MAIN FLOOR TELECOM PLAN - NORTH
- TB601 TELECOM DETAILS
- TB602 TELECOM DETAILS
- TB603 TELECOM DETAILS
- TB604 TELECOM DETAILS
- TB605 TELECOM DETAILS
- TB806 SECURITY DETAILS
- TB901 SECURITY ONE-LINE DIAGRAM

STRUCTURAL DRAWINGS

- SB001 STRUCTURAL NOTES
- SB002 STRUCTURAL NOTES
- SB001 QUALITY ASSURANCE PLAN
- SB001 TYPICAL DETAILS
- SB020 TYPICAL DETAILS
- SB021 STEEL STUD DETAILS
- SB022 STEEL STUD DETAILS
- SB030 FRAMING NOTES AND SCHEDULES
- SB021 FOUNDATION PLAN - SOUTH
- SB022 FOUNDATION PLAN - NORTH
- SB201 ROOF FRAMING PLAN - SOUTH
- SB202 ROOF FRAMING PLAN - NORTH
- SB203 ROOF FRAMING ATTACHMENT PLAN
- SB301 FOUNDATION DETAILS
- SB302 FOUNDATION DETAILS
- SB401 ROOF FRAMING DETAILS
- SB402 ROOF FRAMING DETAILS
- SB403 ROOF FRAMING DETAILS
- SB404 ROOF FRAMING DETAILS
- SB501 BRACED FRAME ELEVATIONS
- SB502 BRACED FRAME ELEVATIONS
- SB503 BRACED FRAME ELEVATIONS
- SB504 BRACED FRAME DETAILS
- SB505 BRACED FRAME DETAILS
- SB506 BRACED FRAME DETAILS
- SB601 CANOPY PLANS
- SB602 CANOPY DETAILS
- SB701 EQUIPMENT SUPPORT PLANS
- SB702 EQUIPMENT PLANS AND DETAILS

MECHANICAL DRAWINGS

- MB001 MECHANICAL LEGEND AND DRAWING INDEX
- MB002 MECHANICAL ABBREVIATIONS AND GENERAL NOTES
- MB003 MECHANICAL SCHEDULES
- MB004 MECHANICAL SCHEDULES
- MB005 MECHANICAL SCHEDULES
- MB006 HVAC VENTILATION LOAD CALCULATIONS, AND HSEC SCHEDULES
- MB007 HSEC FAN POWER ALLOWANCE CALCULATIONS
- MB301 MAIN FLOOR HVAC ZONE PLAN
- MB302 MAIN FLOOR HVAC PLAN - SOUTH
- MB303 MAIN FLOOR HVAC PLAN - NORTH
- MB501 MECHANICAL ROOF PLAN - SOUTH
- MB502 MECHANICAL ROOF PLAN - NORTH
- MB601 MECHANICAL SECTIONS
- MB602 MECHANICAL SECTIONS
- MB801 MECHANICAL DETAILS
- MB802 MECHANICAL DETAILS
- MB901 MECHANICAL CONTROL DIAGRAMS AND SEQUENCE OF OPERATIONS
- MB902 MECHANICAL CONTROL DIAGRAMS AND SEQUENCE OF OPERATIONS
- MB903 MECHANICAL CONTROL DIAGRAMS AND SEQUENCE OF OPERATIONS
- FB001 PLUMBING LEGEND AND DRAWING INDEX
- FB002 PLUMBING GENERAL NOTES, AND ABBREVIATIONS
- FB003 PLUMBING SCHEDULES
- FB010 PLUMBING FOUNDATION PLAN - SOUTH
- FB020 PLUMBING FOUNDATION PLAN - NORTH
- FB201 MAIN FLOOR PLUMBING PLAN - SOUTH
- FB202 MAIN FLOOR PLUMBING PLAN - NORTH
- FB501 PLUMBING ROOF PLAN - SOUTH
- FB502 PLUMBING ROOF PLAN - NORTH
- FB601 PLUMBING ENLARGED PLAN AND SECTION - SOUTH
- FB602 PLUMBING ENLARGED PLAN AND SECTION - NORTH
- FB603 PLUMBING ENLARGED PLAN AND SECTIONS
- FB701 PLUMBING RISER DIAGRAMS - DOMESTIC
- FB702 PLUMBING RISER DIAGRAMS - SANITARY
- FB801 PLUMBING DETAILS
- FB802 PLUMBING DETAILS
- FB901 PLUMBING ACCESS PANEL LOCATIONS - SOUTH
- FB902 PLUMBING ACCESS PANEL LOCATIONS - NORTH



VOLUME II
SUBCOVER SHEET

CITY OF FEDERAL WAY
FLEET & SHOP BUILDING

FEDERAL WAY, WASHINGTON

REVISION	DATE

DATE: 05.06.24 JOB NO: 023-087
BID SET

AB002

DRAWING NO.
© HELIX DESIGN GROUP, INC. All rights reserved.
No part of this document may be reproduced in any form or by any means without permission in writing from Helix Design Group.

FILE PATH: C:\Users\Bjork\OneDrive\Documents\2023\05-06-24\023-087\Federal Way B - Fleet & Shop Building - ELECTRICAL\023-087-Electrical\mvt
 FILE NAME: C:\Users\Bjork\OneDrive\Documents\2023\05-06-24\023-087\Federal Way B - Fleet & Shop Building - ELECTRICAL\023-087-Electrical\mvt

UNOFFICIAL COPY Official bid documents, plan holder's list, and addenda (if applicable) are available on B2XA.com

A | B | C | D | E | F | G | H | J | K

1

2

3

4

5A ISOMETRIC VIEW - VIEW FROM SOUTHWEST

5

6

7

8

9

10A ISOMETRIC VIEW - VIEW FROM SOUTHEAST

A | B | C | D | E | F | G | H | J | K

F | G | H | J | K

1

2

3

4

5F ISOMETRIC VIEW - VIEW FROM NORTHWEST

5

6

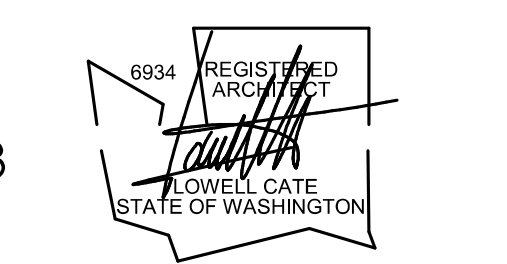
7

8

9

10F ISOMETRIC VIEW - VIEW FROM NORTHEAST

F | G | H | J | K



HELIX DESIGN GROUP, INC

4

5

6

7 PICTORIAL VIEWS

CITY OF FEDERAL WAY FLEET & SHOP BUILDING

FEDERAL WAY, WASHINGTON

REVISION DATE

DATE 05.06.24 JOB NO. 023-087

BID SET

10 AB010

DRAWING NO. HELIX DESIGN GROUP, INC. all rights reserved. No part of this document may be reproduced in any form or by any means without permission in writing from Helix Design Group.

PROJECT: 1612020113_1612020113_P1_1612020113_C01_C01_CITY OF FEDERAL WAY
FILE PATH: C:\Users\michael.l...2023-05-03T14:04:07.840Z\B...B...C2...Ebakstrm\c1

UNOFFICIAL COPY Official bid documents, plan holder's list, and addenda (if applicable) are available on BXWA.com

BUILDING ASSEMBLY LEGEND

BUILDING ASSEMBLY NOTES

ASSEMBLY **MATERIALS**

CAST-IN-PLACE CONCRETE (DAMP-PROOFING SYSTEM)

BELOW GRADE MATERIAL
RIGID INSULATION (C1) *
WATERPROOFING SYSTEM (F1) **
CAST-IN-PLACE CONCRETE (BELOW GRADE) (G) ***
FINISH PER SCHEDULE

* R/S RIGID INSULATION AT LOCATIONS REQUIRED BY MISC. REFER TO BUILDING THERMAL ENVELOPE LEGEND.
** WATERPROOFING SYSTEM AT EXTERIOR SIDE OF BELOW GRADE WALLS AND FOOTINGS.
*** REFER TO GEOTECHNICAL REPORT.

ASSEMBLY **MATERIALS**

CONCRETE MASONRY UNIT (VEENER) (METAL STUD FRAMING)

FINISH PER SCHEDULE
CONCRETE MASONRY UNIT (VEENER)
AIR SPACE (DRAINAGE CAVITY)
STAINLESS STEEL MASONRY VENEER TIES ** (E3)
INSULATED METAL PANEL (FP-3) *
WEATHER RESISTIVE BARRIER (FLUID APPLIED) (D2)
EXTERIOR GYPSUM SHEATHING
METAL STUDS (MINIMUM 18 GAUGE) (Z)
MATERIAL AND FINISH PER SCHEDULE

* FASTENED INTO METAL STUD FRAMING.

ASSEMBLY **MATERIALS**

INSULATED METAL PANEL (IMP-1) (METAL STUD FRAMING)

FINISH PER SCHEDULE
INSULATED METAL PANEL (IMP-1) *
WEATHER RESISTIVE BARRIER (FLUID APPLIED) (D2)
EXTERIOR GYPSUM SHEATHING
METAL STUDS (MINIMUM 18 GAUGE) (Z)
MATERIAL AND FINISH PER SCHEDULE

* HORIZONTAL PANELS
REFER TO COLORS AND MATERIALS SCHEDULE

ASSEMBLY **MATERIALS**

INSULATED METAL PANEL (IMP-2) (METAL STUD FRAMING)

FINISH PER SCHEDULE
INSULATED METAL PANEL (IMP-2) *
WEATHER RESISTIVE BARRIER (FLUID APPLIED) (D2)
EXTERIOR GYPSUM SHEATHING (D4)
METAL STUDS (MINIMUM 18 GAUGE) (Z)
MATERIAL AND FINISH PER SCHEDULE

* VERTICAL PANELS
REFER TO COLORS AND MATERIALS SCHEDULE

ASSEMBLY **MATERIALS**

INSULATED METAL PANEL (IMP-1) (METAL STUD FRAMING) (CARPET WALL)

FINISH PER SCHEDULE
INSULATED METAL PANEL (IMP-1) *
WEATHER RESISTIVE BARRIER (FLUID APPLIED) (D2)
EXTERIOR GYPSUM SHEATHING (D4)
METAL STUDS (MINIMUM 18 GAUGE) (Z)
5/8" COVER BOARD (D)
EXTENDED SINGLE-PLY MEMBRANE ROOFING (SPMR) SYSTEM **

* HORIZONTAL INSTALLATION OF INSULATED METAL PANELS
REFER TO COLORS AND MATERIALS SCHEDULE.
** (SPMR-1): MANUFACTURER AND INSTALLER TO PROVIDE ALL COMPONENTS REQUIRED TO MEET THE ROOFING MANUFACTURER'S 20 YEAR GOLDEN SEAL TOTAL SYSTEMS WARRANTY.

ASSEMBLY **MATERIALS**

CONCRETE SLAB-ON-GRADE (VAPOR BARRIER)

MATERIAL AND FINISH PER SCHEDULE *
CAST-IN-PLACE CONCRETE SLAB-ON-GRADE **
VAPOR BARRIER (D)
CAPILLARY BREAK LAYER (6 INCH MINIMUM) (G) ***

* RECESS SLAB FOR FLOOR FINISHES AS REQUIRED
** REFER TO STRUCTURAL DRAWINGS FOR REINFORCING STEEL AND SLAB THICKNESS.
*** REFER TO GEOTECHNICAL REPORT.

ASSEMBLY **MATERIALS**

PLYWOOD DECKING (METAL STUD FRAMING)

FINISH PER SCHEDULE
PLYWOOD DECK *
METAL STUD FRAMING MEMBERS ** (B)
CEILING PER CEILING PLAN

* REFER TO STRUCTURAL DRAWINGS FOR THICKNESS.
** REFER TO STRUCTURAL DRAWINGS FOR SIZE AND SPACING.

ASSEMBLY **MATERIALS**

STANDING SEAM METAL ROOFING (SSMR) (OPEN WEB STEEL JOISTS FRAMING)

FINISH PER SCHEDULE
STANDING SEAM METAL ROOFING (SSMR)
MEMBRANE UNDERLAYMENT (HIGH-TEPP)
RIGID INSULATION (C1) (B5)
1/2" ROOF BOARD
AIR BARRIER (D)
1/2" METAL DECK (TYPE B) (4)
STRUCTURAL ROOF FRAMING *
MATERIAL AND FINISH PER SCHEDULE

* INSTALL (2) LAYERS
** REFER TO STRUCTURAL DRAWINGS FOR SIZE AND SPACING.

ASSEMBLY **MATERIALS**

METAL DECK (MF-2) (STRUCTURAL STEEL FRAMING)

FINISH PER SCHEDULE
METAL DECK (4)
STRUCTURAL STEEL FRAMING (7) *
AIR SPACE
SOFFIT ASSEMBLY

* REFER TO STRUCTURAL DRAWINGS FOR SIZE AND SPACING.

ASSEMBLY **MATERIALS**

EXTERIOR GYPSUM SOFFIT BOARD (ESB) (METAL SOFFIT FRAMING)

ROOF ASSEMBLY
AIR SPACE
METAL SOFFIT FRAMING @ 16" O.C. (MINIMUM 18 GAUGE) (B)
EXTERIOR GYPSUM SOFFIT BOARD (ESB)
FINISH PER SCHEDULE

ASSEMBLY **MATERIALS**

SINGLE-PLY MEMBRANE ROOFING (SPMR) (OPEN WEB STEEL JOISTS FRAMING)

FINISH PER SCHEDULE
SINGLE-PLY MEMBRANE ROOFING (SPMR) SYSTEM *
1/2" COVER BOARD (D)
RIGID INSULATION (C1) (B5) *
AIR BARRIER ** (D)
1/2" METAL DECK (TYPE B) (3) (4)
STRUCTURAL ROOF FRAMING ***
MATERIAL AND FINISH PER SCHEDULE ***

* (SPMR-1): MANUFACTURER AND INSTALLER TO PROVIDE ALL COMPONENTS REQUIRED TO MEET THE ROOFING MANUFACTURER'S 20 YEAR GOLDEN SEAL TOTAL SYSTEMS WARRANTY.
** REFER TO STRUCTURAL DRAWINGS FOR SIZE AND SPACING.
*** EXPOSED STRUCTURE AND METAL DECK WHERE INDICATED ON ROOM FINISH SCHEDULE.

ASSEMBLY **MATERIALS**

STANDING SEAM METAL ROOFING (SSMR) (OPEN WEB STEEL JOISTS FRAMING)

FINISH PER SCHEDULE
STANDING SEAM METAL ROOFING (SSMR)
MEMBRANE UNDERLAYMENT (HIGH-TEPP)
RIGID INSULATION (C1) (B5)
1/2" ROOF BOARD
AIR BARRIER (D)
1/2" METAL DECK (TYPE B) (4)
STRUCTURAL ROOF FRAMING *
MATERIAL AND FINISH PER SCHEDULE

* INSTALL (2) LAYERS
** REFER TO STRUCTURAL DRAWINGS FOR SIZE AND SPACING.

ASSEMBLY **MATERIALS**

METAL DECK (MF-2) (STRUCTURAL STEEL FRAMING)

FINISH PER SCHEDULE
METAL DECK (4)
STRUCTURAL STEEL FRAMING (7) *
AIR SPACE
SOFFIT ASSEMBLY

* REFER TO STRUCTURAL DRAWINGS FOR SIZE AND SPACING.

ASSEMBLY **MATERIALS**

EXTERIOR GYPSUM SOFFIT BOARD (ESB) (METAL SOFFIT FRAMING)

ROOF ASSEMBLY
AIR SPACE
METAL SOFFIT FRAMING @ 16" O.C. (MINIMUM 18 GAUGE) (B)
EXTERIOR GYPSUM SOFFIT BOARD (ESB)
FINISH PER SCHEDULE

ASSEMBLY **MATERIALS**

FIRE RATED WALLS (METAL STUD FRAMING)

FINISH PER SCHEDULE
5/8" TYPE X GYPSUM WALL BOARD *
METAL STUDS @ 16" O.C. (MINIMUM 18 GAUGE) (Z)
FIBERGLASS BATT INSULATION (STUD CAVITY)
5/8" TYPE X GYPSUM WALL BOARD *
MATERIAL AND FINISH PER SCHEDULE

* 5/8" EXTERIOR GYPSUM SHEATHING AT EXTERIOR SIDE OF EXTERIOR WALLS.
FIRE RATED ASSEMBLY: UL 1491

ASSEMBLY **MATERIALS**

STANDING SEAM METAL ROOFING (SSMR) (OPEN WEB STEEL JOISTS FRAMING)

FINISH PER SCHEDULE
STANDING SEAM METAL ROOFING (SSMR)
MEMBRANE UNDERLAYMENT (HIGH-TEPP)
RIGID INSULATION (C1) (B5)
1/2" ROOF BOARD
AIR BARRIER (D)
1/2" METAL DECK (TYPE B) (4)
STRUCTURAL ROOF FRAMING *
MATERIAL AND FINISH PER SCHEDULE

* INSTALL (2) LAYERS
** REFER TO STRUCTURAL DRAWINGS FOR SIZE AND SPACING.

ASSEMBLY **MATERIALS**

METAL DECK (MF-2) (STRUCTURAL STEEL FRAMING)

FINISH PER SCHEDULE
METAL DECK (4)
STRUCTURAL STEEL FRAMING (7) *
AIR SPACE
SOFFIT ASSEMBLY

* REFER TO STRUCTURAL DRAWINGS FOR SIZE AND SPACING.

ASSEMBLY **MATERIALS**

EXTERIOR GYPSUM SOFFIT BOARD (ESB) (METAL SOFFIT FRAMING)

ROOF ASSEMBLY
AIR SPACE
METAL SOFFIT FRAMING @ 16" O.C. (MINIMUM 18 GAUGE) (B)
EXTERIOR GYPSUM SOFFIT BOARD (ESB)
FINISH PER SCHEDULE

GENERAL NOTES:

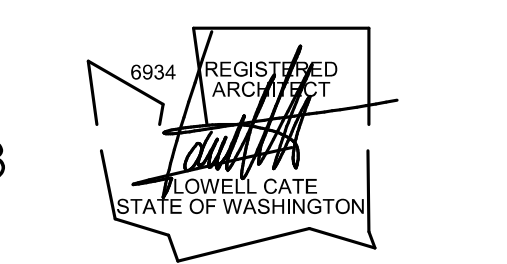
1. WALL TYPES: REFER TO FLOOR PLAN FOR WALL TYPE LEGEND.
2. REFER TO EXTERIOR ELEVATIONS FOR EXTEND OF EXTERIOR WALL ASSEMBLY.
3. REFER TO ROOF PLAN FOR ROOF ASSEMBLY LOCATIONS.
4. INTERIOR MATERIALS AND FINISHES: REFER TO ROOM FINISH SCHEDULE.
5. EXTERIOR FINISHES: REFER TO EXTERIOR FINISH SCHEDULE EXTERIOR ELEVATION SHEETS.
6. REFER TO CODE INFORMATION ON SHEET AB20 FOR FIRE RESISTANT RATING REQUIREMENTS OF BUILDING ASSEMBLIES.
7. REFER TO BUILDING THERMAL ENVELOPE LEGEND ON SHEET AB05 FOR MINIMUM INSULATION R-VALUES AND INSTALLATION REQUIREMENTS.
8. ALL EXPOSED CONCRETE SHALL BE CONSIDERED ARCHITECTURAL CONCRETE.
9. SEPARATE DIRECT CONTACT OF DISPLACER METALS; INSTALL MEMBRANE FLASHING BETWEEN DISPLACER METAL SURFACES.
10. REFER TO DETAIL 44/AB70 FOR TOP OF WALL AT FIRE RATED WALL ASSEMBLY.

FOOTNOTES

- (1) REFER TO STRUCTURAL DRAWINGS FOR REINFORCING STEEL.
- (2) REFER TO STRUCTURAL DRAWINGS FOR SIZE, GAUGE AND SPACING OF METAL STUD FRAMING. GALVANIZED G90 COLD-FORMED METAL FRAMING.
- (3) NOT USED.
- (4) GALVANIZED STEEL DECKING REFER TO STRUCTURAL DRAWINGS FOR TYPE.
- (5) POLYISOCYANURATE (ISO) RIGID INSULATION BOARD: LOW SLOPE ROOF APPLICATION. (2) LAYERS OF 3/4" THICK RIGID INSULATION BOARD, STAGGERED LAYERS. TOTAL THICKNESS MECHANICALLY ATTACHED TO METAL DECK.
- (6) INSTALL ALL HORIZONTALLY ROUTED PIPES AND CONDUITS BELOW CAPILLARY BREAK LAYER.
- (7) PROTECTIVE COATING: HOT-DIPPED GALVANIZED COATING.
- (8) REFER TO STRUCTURAL DRAWINGS FOR SIZE, GAUGE AND SPACING OF METAL CEILING JOISTS AND METAL SOFFIT JOISTS. MAXIMUM SPACING @ O.C. INSTALL METAL BRACING FOR CEILING AND SOFFIT POINTED ITEMS. GALVANIZED G90 COLD-FORMED METAL FRAMING.
- (9) WATERPROOFING SYSTEMS: FLUID-APPLIED MEMBRANE WATERPROOFING SYSTEM GRADE CONSTRUCTION PRODUCTS (GCP APPLIED TECHNOLOGIES).
- (10) VAPOR BARRIER: STEGO WRAP 95-ML VAPOR BARRIER. THICKNESS: 15 MILS MINIMUM. MANUFACTURER: STEGO INDUSTRIES, LLC. PROVIDE ALL MANUFACTURER'S ACCESSORIES FOR COMPLETE INSTALLATION INCLUDING TAPES AND MASTIC. ALL PENETRATIONS TO BE SEALED. OVERLAP ALL SEAMS A MINIMUM OF 6-INCHES AND TAPE SEAL.
- (11) COVERBOARD: GEORGIA-PACIFIC DENSEDECK PRIME ROOF BOARD.
- (12) WEATHER RESISTIVE BARRIER: REFER TO SPECIFICATION SECTION 072500.
- (13) STAINLESS STEEL FLEXIBLE MASONRY TIES.
- (14) EXTERIOR GYPSUM SHEATHING 5/8 INCH DENSEGLASS FIREGUARD TYPE-X SHEATHING. GEORGIA-PACIFIC GYPSUM.
- (15) EXTRUDED POLYSTYRENE (XPS) RIGID INSULATION BOARD; STANDING SEAM METAL ROOFING (SSMR) APPLICATION. (2) LAYERS OF 4" THICK RIGID INSULATION BOARD. STAGGERED LAYERS. TOTAL THICKNESS.

STRUCTURAL STEEL FABRICATION NOTES

1. REFER TO BUILDING ASSEMBLY LEGEND GENERAL NOTES.
2. REFER TO STRUCTURAL GENERAL NOTES.
3. STRUCTURAL STEEL AND MISCELLANEOUS METAL FABRICATIONS FINISH:
EXPOSED EXTERIOR STRUCTURAL STEEL TO BE HOT-DIP GALVANIZED PROTECTIVE COATED, FIELD PAINT.
4. NO FIELD WELDING AND NO FIELD CUTTING OF HOT-DIP GALVANIZED COATED STRUCTURAL STEEL. ONLY FIELD BOLTED CONNECTIONS PERMITTED.



HELIX DESIGN GROUP, INC.

BUILDING ASSEMBLY LEGEND

CITY OF FEDERAL WAY FLEET & SHOP BUILDING

FEDERAL WAY, WASHINGTON

REVISION	DATE

DATE: 05.06.24 JOB NO: 023-087

BID SET

AB030

DRAWING NO. HELIX DESIGN GROUP, INC. © 2023. ALL RIGHTS RESERVED. NO PART OF THIS DOCUMENT MAY BE REPRODUCED OR TRANSMITTED IN ANY FORM OR BY ANY MEANS WITHOUT PERMISSION IN WRITING FROM HELIX DESIGN GROUP.

PLOTTER: 6/16/2024 5:56:41 PM FILE PATH: C:\WORK\BIDDING\2023\02-1807 Fed Way OF - Bldg B - ELECTRICAL\23_EBakstronrvt.dwg

NON-OFFICIAL COPY

REVISION	DATE

DATE: 05.06.24 JOB NO: 023-087
BID SET

10 AB103

DRAWING NO.
 © HELIX DESIGN GROUP, INC. All rights reserved.
 No part of this document may be reproduced in any form or by any means without permission in writing from Helix Design Group.

FLOOR PLAN LEGEND

DESCRIPTION	SYMBOL AND TEXT
ROOM IDENTIFICATION room name room number	ROOM NAME 100
SWINGING DOOR door number minimum door stroke side clearance distances	
WORK POINT building corner, starting building layout reference point	WP
FLOOR DRAIN sloped floor level floor	F.D. F.D.
STRUCTURAL COLUMN centered on grid line and, or centered in wall	
FIRE EXTINGUISHERS Fire extinguisher in surface-mounted cabinet	FE
HOSE BIB refer to plumbing plan for locations	HB
JANITORS SINK square corner janitor floor sink	
DOWNSPROUT refer to plan for size and locations	D.S.
BOLLARD 6" DIA. UNO refer to plan for locations	B

GENERAL NOTES

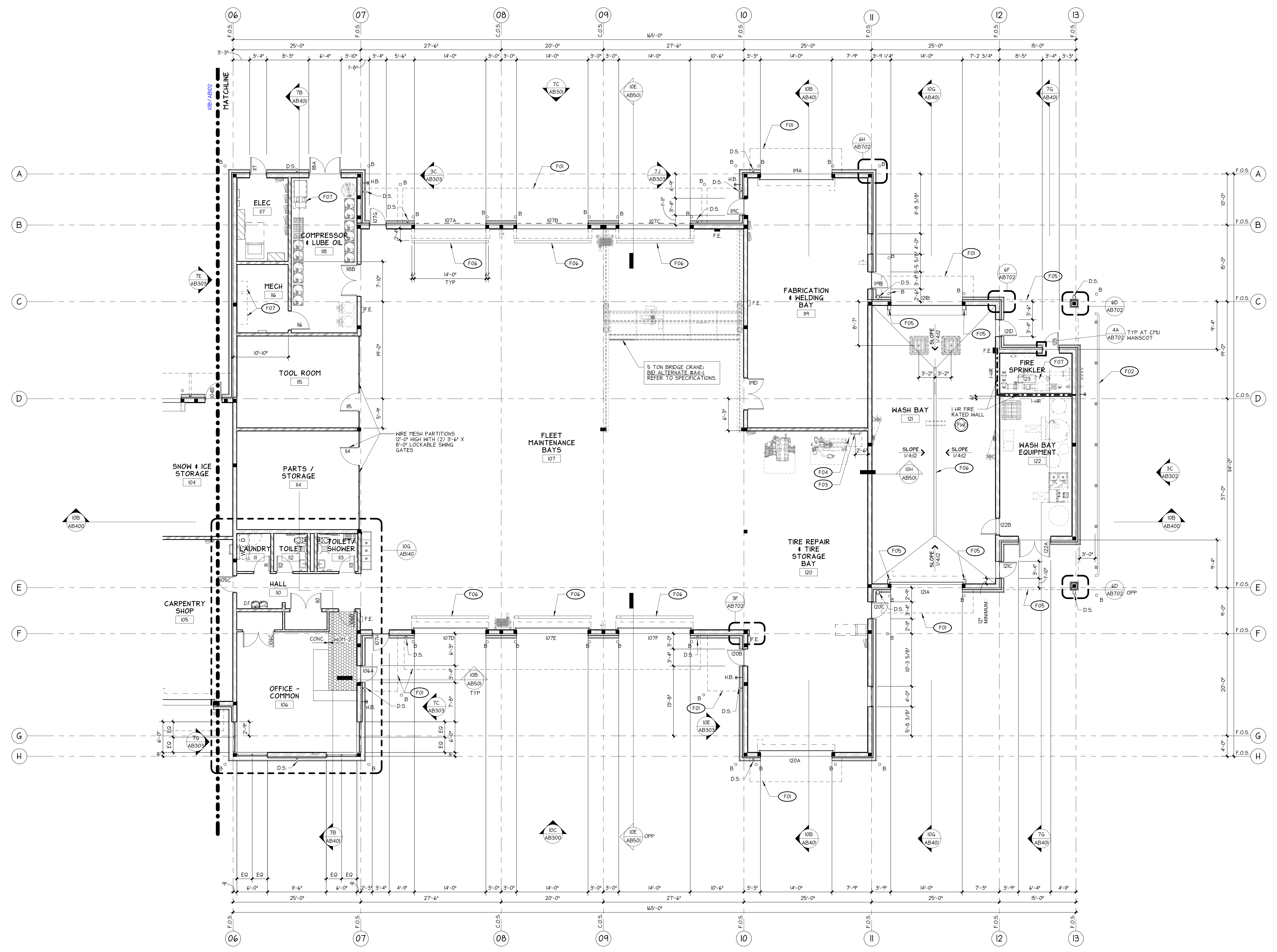
- NOTE
- REFER TO SHEET G020 FOR STANDARD ABBREVIATING LIST.
 - INSTALL SOUND BATT INSULATION AT ALL INTERIOR (STUD) WALLS.
 - CONCRETE FLOOR SLOPE TO DRAIN TO SERVICE DOOR OPENING, TYPICAL.
 - REFER TO EQUIPMENT PLAN (P SERIES) FOR EQUIPMENT CALLOUTS. ALL EQUIPMENT SHOWN ON THIS PLAN ARE BASE BID UNLESS NOTED OTHERWISE.

WALL TYPES

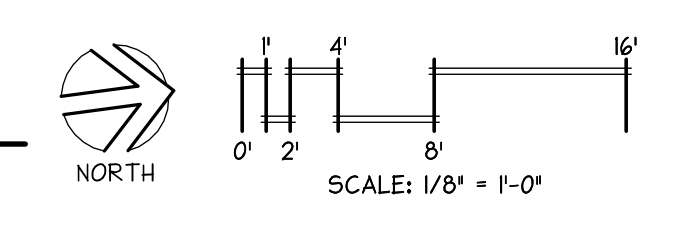
DESCRIPTION	SYMBOL AND TEXT
HALL TYPE 1 3/8" METAL STUDS # 16" O.C.	
HALL TYPE 2 6" METAL STUDS # 16" O.C.	
HALL TYPE 3 8" METAL STUDS # 16" O.C.	
HALL TYPE 4 CAST-IN-PLACE CONCRETE	

FLOOR PLAN NOTES

SYMBOL	NOTE
F01	OUTLINE OF ROOF ABOVE
F02	TRAFFIC GUARDRAIL BARRIER
F03	ALUMINUM ROOF ACCESS LADDER
F04	ROOF ACCESS HATCH ABOVE
F05	SERVICE COLING DOOR TRACK PROTECTOR
F06	TRENCH DRAIN
F07	HOUSE KEEPING PAD(S) FOR MECHANICAL EQUIPMENT

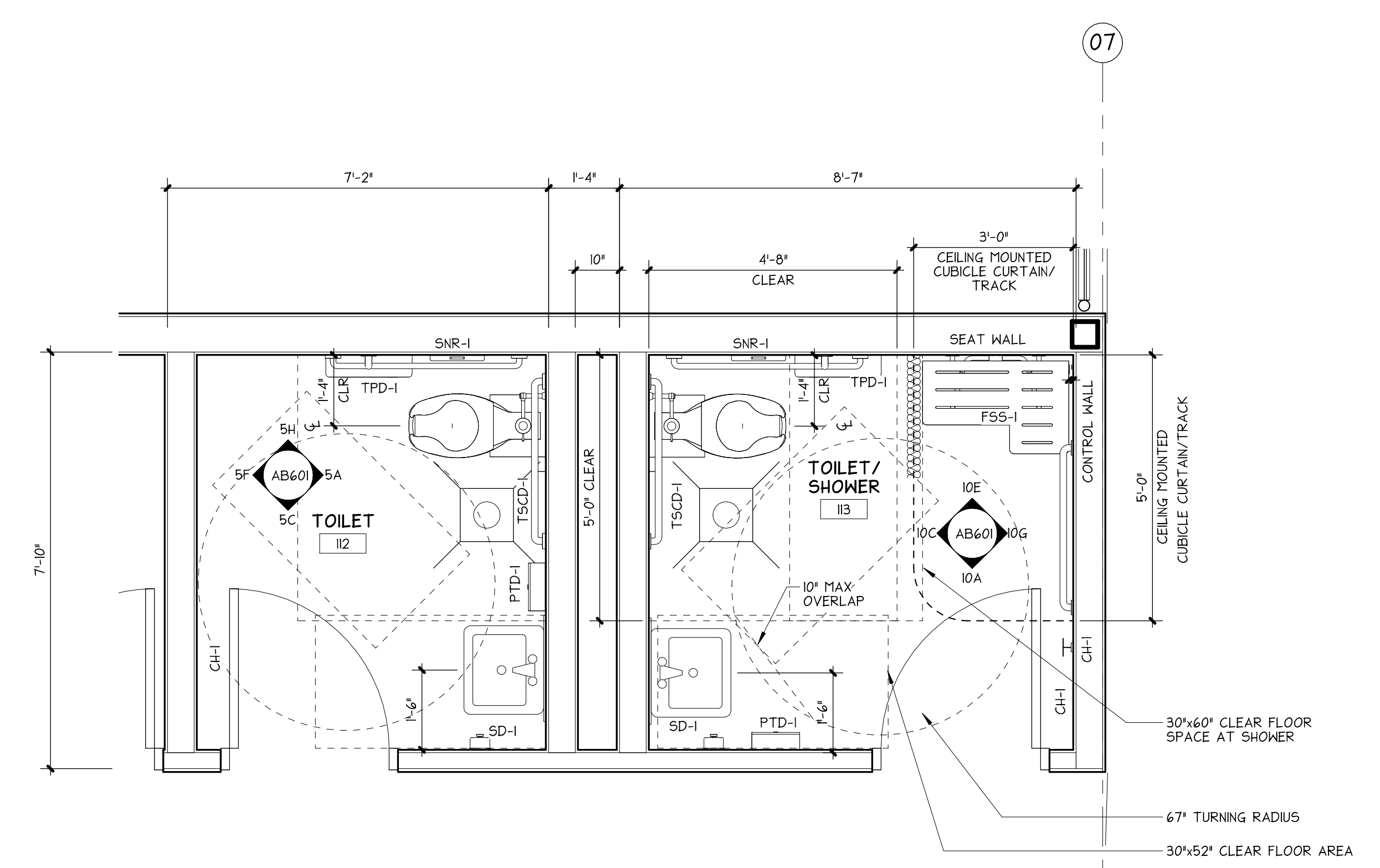


PARTIAL FLOOR PLAN - NORTH
 1/8" = 1'-0"

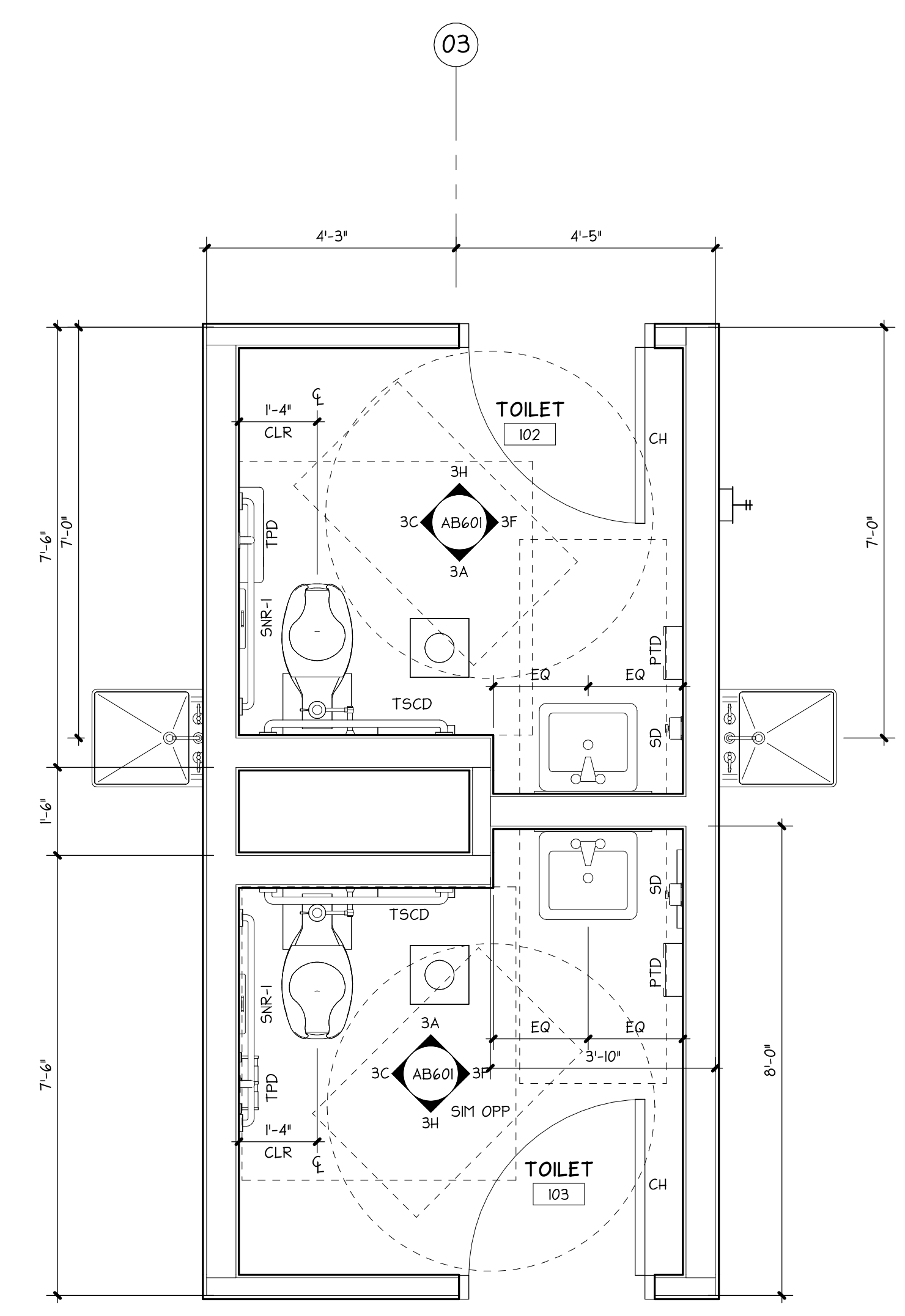
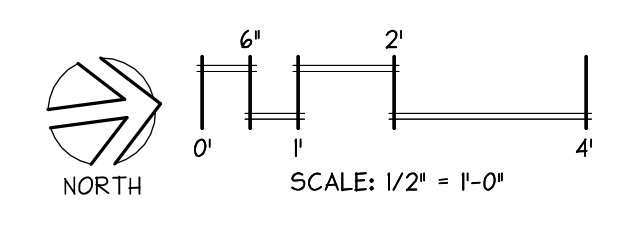


P:\PROJECTS\2023\05\06\24\023-087\01 - CITY OF FEDERAL WAY - FLEET & SHOP BUILDING - PARTIAL FLOOR PLAN - NORTH.dwg
 FILE PATH: C:\Users\mccr\OneDrive\Documents\2023\05\06\24\023-087\01 - CITY OF FEDERAL WAY - FLEET & SHOP BUILDING - PARTIAL FLOOR PLAN - NORTH.dwg

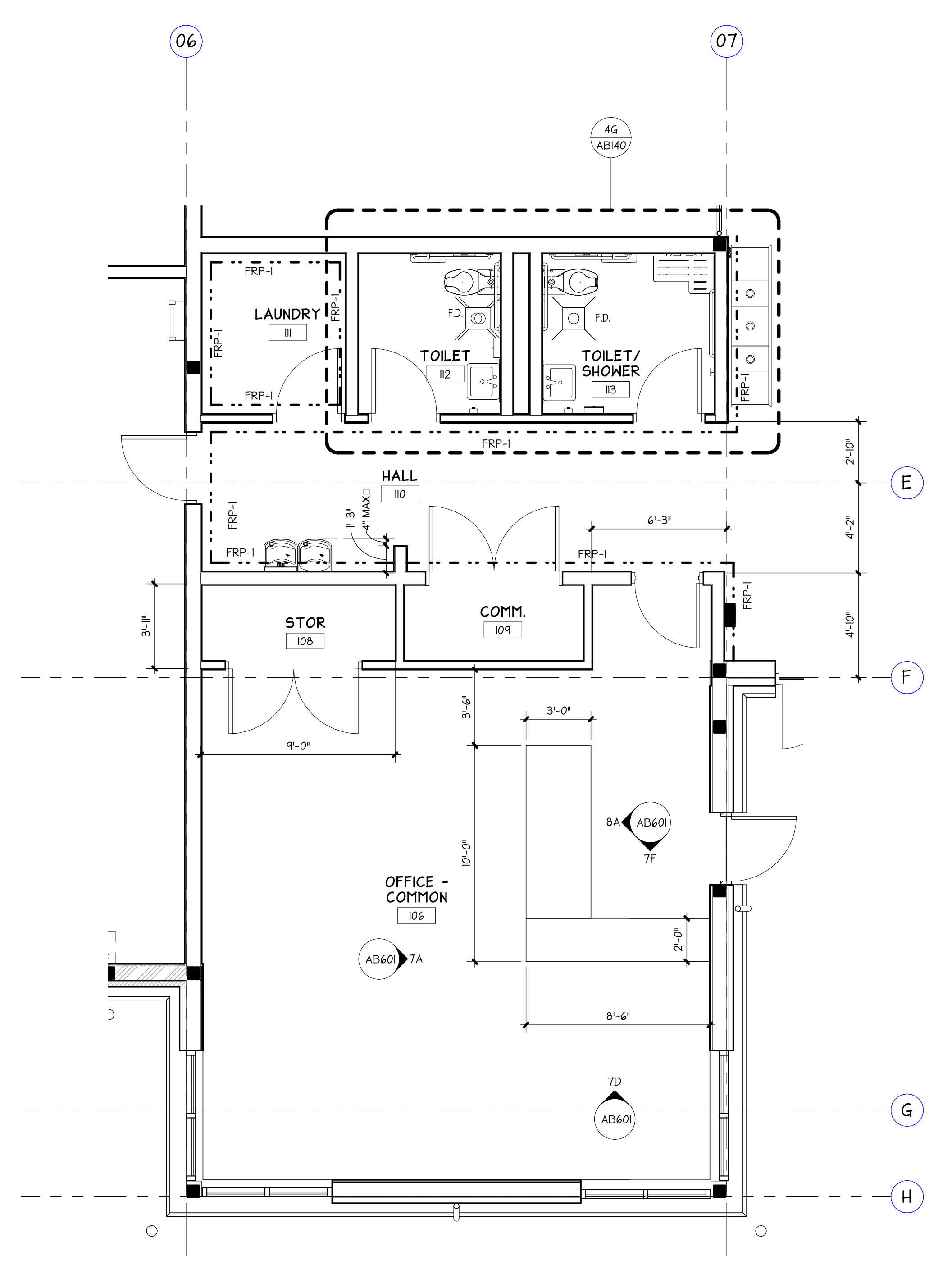
UNOFFICIAL COPY Official bid documents, plan holder's list, and addenda (if applicable) are available on B2XA.com



4G ENLARGED PLAN - TOILET 112 AND TOILET/SHOWER 113
1/2" = 1'-0"



10D ENLARGED TOILET ROOM PLAN
1/2" = 1'-0"



10G ENLARGED OFFICE AREA PLAN
1/4" = 1'-0"

ENLARGED FLOOR PLANS

CITY OF FEDERAL WAY FLEET & SHOP BUILDING

FEDERAL WAY, WASHINGTON

REVISION	DATE
DATE: 05.06.24	JOB NO.: 023-087

AB140

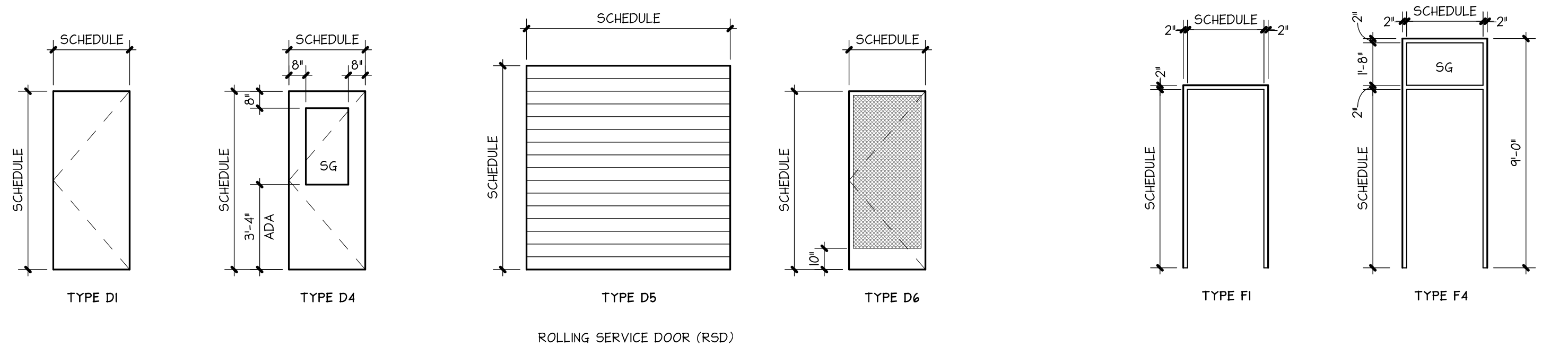
PLOTTER: 6/16/2024 1:56:16 PM - 6/16/24 - 05:05 - CITY OF FEDERAL WAY
 FILE PATH: C:\Users\Bjorn\OneDrive\Documents\2023\02-1031 Fed Way - Bldg B - GENERAL\023-087\01.dwg
 PLOTTER: HP DesignJet T1100e

UNOFFICIAL COPY Official bid documents, plan holder's list, and addenda (if applicable) are available on BIXWA.com

DOOR SCHEDULE

NO	DOOR				FRAME				NOTES		
	WIDTH	HEIGHT	TYPE	MATERIAL	FINISH	RATING	HARDWARE GROUP	MATERIAL		FINISH	TYPE
10A	12'-0"	16'-0"	D5	STL	FF	-	-	STL	PT	-	(7)
10B	12'-0"	16'-0"	D5	STL	FF	-	-	STL	PT	-	(7)
10C	12'-0"	16'-0"	D5	STL	FF	-	-	STL	PT	-	(7)
10D	12'-0"	16'-0"	D5	STL	FF	-	-	STL	PT	-	(7)
10E	12'-0"	16'-0"	D5	STL	FF	-	-	STL	PT	-	(7)
10F	12'-0"	16'-0"	D5	STL	FF	-	-	STL	PT	-	(7)
10G	12'-0"	16'-0"	D5	STL	FF	-	-	STL	PT	-	(7)
10H	12'-0"	16'-0"	D5	STL	FF	-	-	STL	PT	-	(7)
10I	3'-0"	7'-0"	D4	HP	PT	SG	-	HDW-4A	HP	PT	F4 SG
10K	3'-0"	7'-0"	D4	HP	PT	SG	-	HDW-4A	HP	PT	F4 SG
10L	3'-0"	7'-0"	D4	HP	PT	SG	-	HDW-4A	HP	PT	F4 SG
10M	3'-0"	7'-0"	D4	HP	PT	SG	-	HDW-4	HP	PT	F4 SG
10N	3'-0"	7'-0"	D1	HP	PT	-	-	HDW-R	HP	PT	F1 -
10O	3'-0"	7'-0"	D1	HP	PT	-	-	HDW-R	HP	PT	F1 -
10P	3'-0"	7'-0"	D1	HP	PT	-	-	HDW-R	HP	PT	F1 -
10Q	3'-0"	7'-0"	D1	HP	PT	-	-	HDW-R	HP	PT	F1 -
10R	3'-0"	7'-0"	D1	HP	PT	-	-	HDW-R	HP	PT	F1 -
10S	3'-0"	7'-0"	D1	HP	PT	-	-	HDW-R	HP	PT	F1 -
10T	3'-0"	7'-0"	D1	HP	PT	-	-	HDW-R	HP	PT	F1 -
10U	3'-0"	7'-0"	D1	HP	PT	-	-	HDW-R	HP	PT	F1 -
10V	3'-0"	7'-0"	D1	HP	PT	-	-	HDW-R	HP	PT	F1 -
10W	3'-0"	7'-0"	D1	HP	PT	-	-	HDW-R	HP	PT	F1 -
10X	3'-0"	7'-0"	D1	HP	PT	-	-	HDW-R	HP	PT	F1 -
10Y	3'-0"	7'-0"	D1	HP	PT	-	-	HDW-R	HP	PT	F1 -
10Z	3'-0"	7'-0"	D1	HP	PT	-	-	HDW-R	HP	PT	F1 -
10AA	3'-0"	7'-0"	D1	HP	PT	-	-	HDW-R	HP	PT	F1 -
10AB	3'-0"	7'-0"	D1	HP	PT	-	-	HDW-R	HP	PT	F1 -
10AC	3'-0"	7'-0"	D1	HP	PT	-	-	HDW-R	HP	PT	F1 -
10AD	3'-0"	7'-0"	D1	HP	PT	-	-	HDW-R	HP	PT	F1 -
10AE	3'-0"	7'-0"	D1	HP	PT	-	-	HDW-R	HP	PT	F1 -
10AF	3'-0"	7'-0"	D1	HP	PT	-	-	HDW-R	HP	PT	F1 -
10AG	3'-0"	7'-0"	D1	HP	PT	-	-	HDW-R	HP	PT	F1 -
10AH	3'-0"	7'-0"	D1	HP	PT	-	-	HDW-R	HP	PT	F1 -
10AI	3'-0"	7'-0"	D1	HP	PT	-	-	HDW-R	HP	PT	F1 -
10AJ	3'-0"	7'-0"	D1	HP	PT	-	-	HDW-R	HP	PT	F1 -
10AK	3'-0"	7'-0"	D1	HP	PT	-	-	HDW-R	HP	PT	F1 -
10AL	3'-0"	7'-0"	D1	HP	PT	-	-	HDW-R	HP	PT	F1 -
10AM	3'-0"	7'-0"	D1	HP	PT	-	-	HDW-R	HP	PT	F1 -
10AN	3'-0"	7'-0"	D1	HP	PT	-	-	HDW-R	HP	PT	F1 -
10AO	3'-0"	7'-0"	D1	HP	PT	-	-	HDW-R	HP	PT	F1 -
10AP	3'-0"	7'-0"	D1	HP	PT	-	-	HDW-R	HP	PT	F1 -
10AQ	3'-0"	7'-0"	D1	HP	PT	-	-	HDW-R	HP	PT	F1 -
10AR	3'-0"	7'-0"	D1	HP	PT	-	-	HDW-R	HP	PT	F1 -
10AS	3'-0"	7'-0"	D1	HP	PT	-	-	HDW-R	HP	PT	F1 -
10AT	3'-0"	7'-0"	D1	HP	PT	-	-	HDW-R	HP	PT	F1 -
10AU	3'-0"	7'-0"	D1	HP	PT	-	-	HDW-R	HP	PT	F1 -
10AV	3'-0"	7'-0"	D1	HP	PT	-	-	HDW-R	HP	PT	F1 -
10AW	3'-0"	7'-0"	D1	HP	PT	-	-	HDW-R	HP	PT	F1 -
10AX	3'-0"	7'-0"	D1	HP	PT	-	-	HDW-R	HP	PT	F1 -
10AY	3'-0"	7'-0"	D1	HP	PT	-	-	HDW-R	HP	PT	F1 -
10AZ	3'-0"	7'-0"	D1	HP	PT	-	-	HDW-R	HP	PT	F1 -
10BA	3'-0"	7'-0"	D1	HP	PT	-	-	HDW-R	HP	PT	F1 -
10BB	3'-0"	7'-0"	D1	HP	PT	-	-	HDW-R	HP	PT	F1 -
10BC	3'-0"	7'-0"	D1	HP	PT	-	-	HDW-R	HP	PT	F1 -
10BD	3'-0"	7'-0"	D1	HP	PT	-	-	HDW-R	HP	PT	F1 -
10BE	3'-0"	7'-0"	D1	HP	PT	-	-	HDW-R	HP	PT	F1 -
10BF	3'-0"	7'-0"	D1	HP	PT	-	-	HDW-R	HP	PT	F1 -
10BG	3'-0"	7'-0"	D1	HP	PT	-	-	HDW-R	HP	PT	F1 -
10BH	3'-0"	7'-0"	D1	HP	PT	-	-	HDW-R	HP	PT	F1 -
10BI	3'-0"	7'-0"	D1	HP	PT	-	-	HDW-R	HP	PT	F1 -
10BJ	3'-0"	7'-0"	D1	HP	PT	-	-	HDW-R	HP	PT	F1 -
10BK	3'-0"	7'-0"	D1	HP	PT	-	-	HDW-R	HP	PT	F1 -
10BL	3'-0"	7'-0"	D1	HP	PT	-	-	HDW-R	HP	PT	F1 -
10BM	3'-0"	7'-0"	D1	HP	PT	-	-	HDW-R	HP	PT	F1 -
10BN	3'-0"	7'-0"	D1	HP	PT	-	-	HDW-R	HP	PT	F1 -
10BO	3'-0"	7'-0"	D1	HP	PT	-	-	HDW-R	HP	PT	F1 -
10BP	3'-0"	7'-0"	D1	HP	PT	-	-	HDW-R	HP	PT	F1 -
10BQ	3'-0"	7'-0"	D1	HP	PT	-	-	HDW-R	HP	PT	F1 -
10BR	3'-0"	7'-0"	D1	HP	PT	-	-	HDW-R	HP	PT	F1 -
10BS	3'-0"	7'-0"	D1	HP	PT	-	-	HDW-R	HP	PT	F1 -
10BT	3'-0"	7'-0"	D1	HP	PT	-	-	HDW-R	HP	PT	F1 -
10BU	3'-0"	7'-0"	D1	HP	PT	-	-	HDW-R	HP	PT	F1 -
10BV	3'-0"	7'-0"	D1	HP	PT	-	-	HDW-R	HP	PT	F1 -
10BW	3'-0"	7'-0"	D1	HP	PT	-	-	HDW-R	HP	PT	F1 -
10BX	3'-0"	7'-0"	D1	HP	PT	-	-	HDW-R	HP	PT	F1 -
10BY	3'-0"	7'-0"	D1	HP	PT	-	-	HDW-R	HP	PT	F1 -
10BZ	3'-0"	7'-0"	D1	HP	PT	-	-	HDW-R	HP	PT	F1 -
10CA	3'-0"	7'-0"	D1	HP	PT	-	-	HDW-R	HP	PT	F1 -
10CB	3'-0"	7'-0"	D1	HP	PT	-	-	HDW-R	HP	PT	F1 -
10CC	3'-0"	7'-0"	D1	HP	PT	-	-	HDW-R	HP	PT	F1 -
10CD	3'-0"	7'-0"	D1	HP	PT	-	-	HDW-R	HP	PT	F1 -
10CE	3'-0"	7'-0"	D1	HP	PT	-	-	HDW-R	HP	PT	F1 -
10CF	3'-0"	7'-0"	D1	HP	PT	-	-	HDW-R	HP	PT	F1 -
10CG	3'-0"	7'-0"	D1	HP	PT	-	-	HDW-R	HP	PT	F1 -
10CH	3'-0"	7'-0"	D1	HP	PT	-	-	HDW-R	HP	PT	F1 -
10CI	3'-0"	7'-0"	D1	HP	PT	-	-	HDW-R	HP	PT	F1 -
10CJ	3'-0"	7'-0"	D1	HP	PT	-	-	HDW-R	HP	PT	F1 -
10CK	3'-0"	7'-0"	D1	HP	PT	-	-	HDW-R	HP	PT	F1 -

SCHEDULE NOTES	GENERAL NOTES
(1) PAIR OF DOORS	1. REFER TO PROJECT MANUAL, SECTION 08 71 00, "DOOR HARDWARE" FOR HARDWARE GROUPS.
(3) OCCUPANCY INDICATOR - TURN/TURN - OCCUPIED	2. REFER TO COLORS AND MATERIALS SCHEDULE FOR COLORS AND FINISHES.
(5) INSULATED HP DOOR	3. REFER TO PROJECT MANUAL, SECTION 08 81 00, "GLAZING" FOR GLAZING TYPES. INSULATING GLASS UNITS SHALL BE LABELED AND NFRC CERTIFIED.
(7) INSULATED ROLLING SERVICE DOOR (RSD) : DOOR CONTROLS, HARDWARE, OPERATOR AND ACCESSORIES BY MANUFACTURER. REFER TO SPECIFICATION.	4. REFER TO SHEET G020 FOR STANDARD ABBREVIATIONS LIST.
(8) WRE PARTITION STORAGE ENCLOSURE SYSTEM	5. "PAINT (PT)" IS A GENERIC TERM USED IN DOCUMENTS. REFER TO PROJECT MANUAL, SECTION 09 11 00, "PAINTING" FOR SPECIFIC TYPE OF APPLIED FINISH. THE TERM "PAINT" REFERS TO PAINTS, STAINS, SEALERS AND OTHER APPLIED COATINGS.
	6. REFER TO PROJECT MANUAL, SECTION 07 25 00, "WEATHER RESISTIVE BARRIER" FOR EXTERIOR WALL OPENING FLASHING REQUIREMENTS.
	7. REFER TO BUILDING EXTERIOR OPENING PROTECTION LEGEND FOR FLASHING REQUIREMENTS OF EXTERIOR WALL OPENINGS.



DOOR TYPES 1/4" = 1'-0" FRAME TYPES 1/4" = 1'-0"

STOREFRONT, WINDOW SYSTEM SCHEDULE

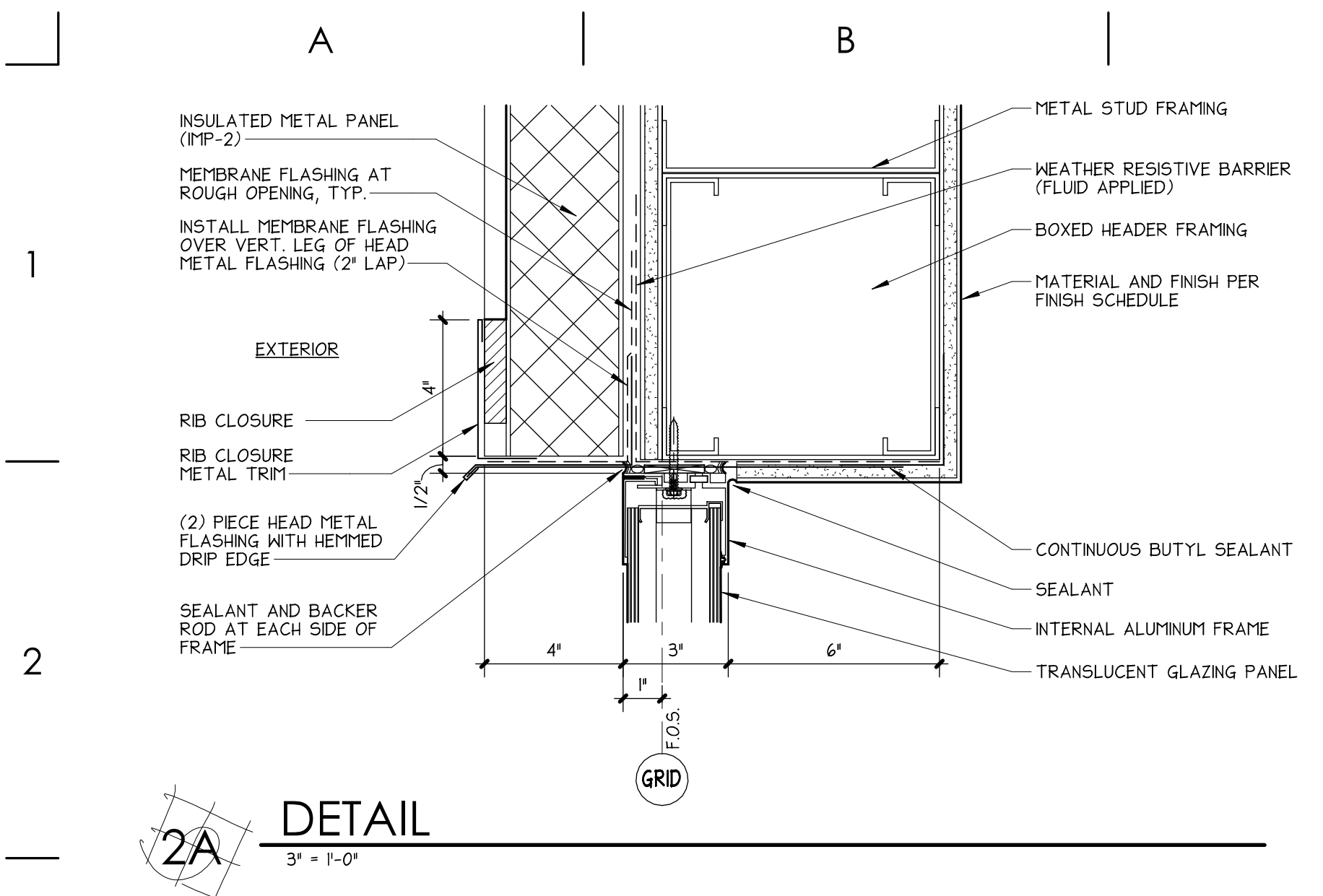
TYPE	SERIES	FRAME		GLAZING	RATING	NOTES
		MATERIAL	FINISH			
SFI	(1)	ALUM	FF	GL-1	-	(4)
TW	(2)	ALUM	FF	(3)	-	

SCHEDULE NOTES	GENERAL NOTES
(1) STOREFRONT SYSTEM (SFI): STOREFRONT SYSTEM (THERMAL) FRAMING SYSTEMS CENTER LING. FRAME DIMENSIONS: 2" WIDE x 4 1/2" DEPTH.	1. FRAME DIMENSIONS REFER TO ROUGH OPENING SIZE.
(2) PREASSEMBLED TRANSLUCENT WINDOW SYSTEM (TW)	2. REFER TO COLORS AND MATERIALS SCHEDULE FOR COLORS AND FINISHES.
(3) TRANSLUCENT POLYCARBONATE GLAZING BY MANUFACTURER	3. REFER TO PROJECT MANUAL, SECTION 08 81 00, "GLAZING" FOR GLAZING TYPES. INSULATING GLASS UNITS SHALL BE LABELED AND NFRC CERTIFIED.
(4) REFER TO FLOOR PLAN AND EXTERIOR ELEVATIONS FOR SIZE AND LAYOUT OF WINDOWS.	4. REFER TO SHEET G020 FOR STANDARD ABBREVIATIONS LIST.
	5. REFER TO EXTERIOR ELEVATIONS FOR STOREFRONT SYSTEM TYPE.
	6. REFER TO PROJECT MANUAL, SECTION 07 25 00, "WEATHER RESISTIVE BARRIER" FOR EXTERIOR WALL OPENING FLASHING REQUIREMENTS.
	7. REFER TO PROJECT MANUAL, SECTION 08 11 00, "LOUVERS" FOR HALL LOUVERS.
	8. REFER TO BUILDING EXTERIOR OPENING PROTECTION LEGEND FOR FLASHING REQUIREMENTS OF EXTERIOR WALL OPENINGS.

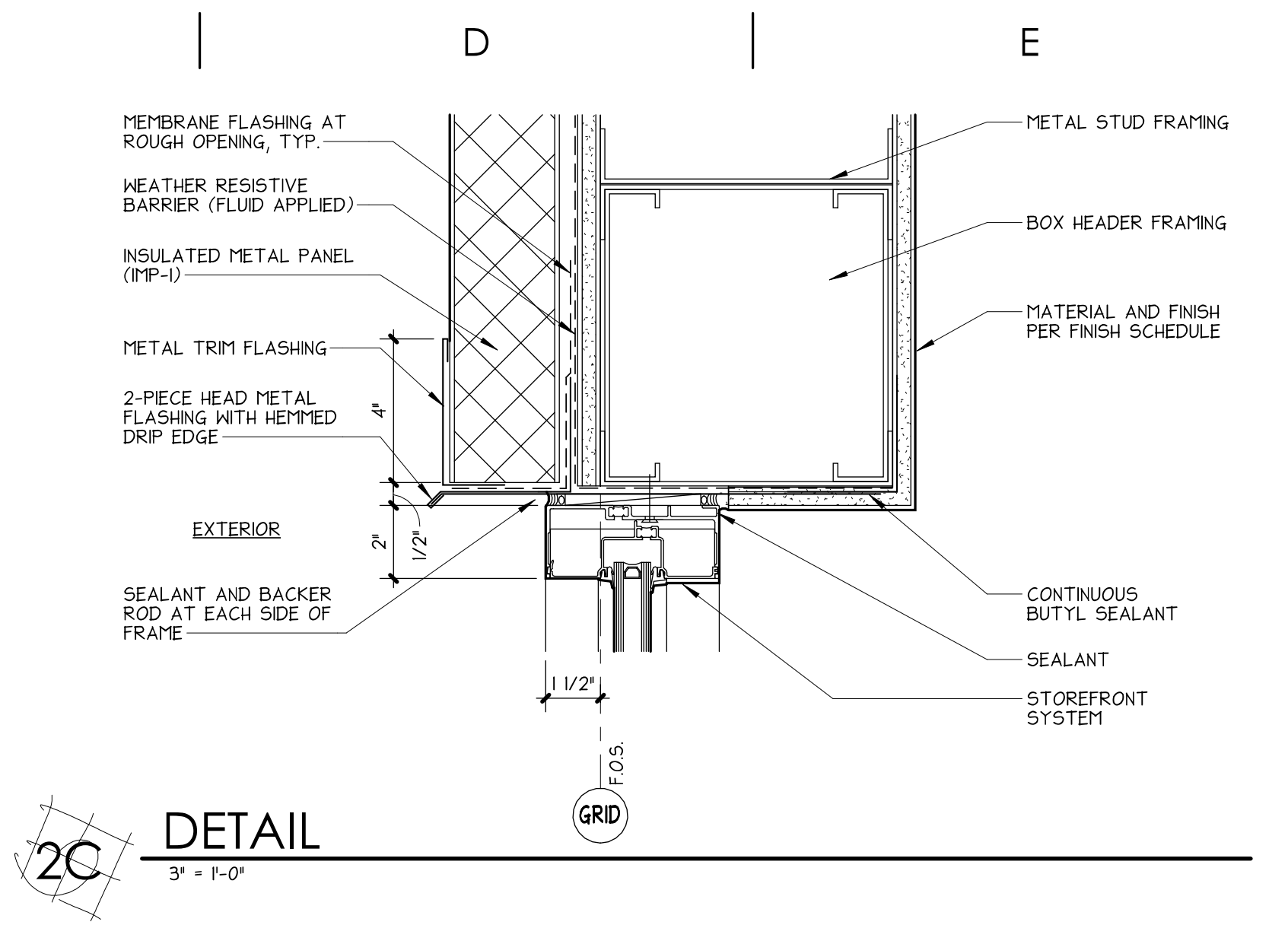
ROOM FINISH SCHEDULE

NO	ROOM NAME	FLOOR			CEILING		WALL		NOTES
		MATERIAL	FINISH	BASE	MATERIAL	FINISH	MATERIAL	FINISH	
PP-01		CONC	SLR	-	EXPOSED	PT	GMB	MD00/PT/PT	
01	DEPARTMENTAL SHOP	CONC	RSNF	RSNF	GMB	PT	CBB	MD00/PT/PT	
02	TOILET	CONC	RSNF	RSNF	GMB	PT	CBB	PT/FRP	
03	TOILET	CONC	RSNF	RSNF	GMB	PT	CBB	PT/FRP	
04	SHOW & ICE STORAGE	CONC	SLR	-	EXPOSED	PT	GMB	MD00/PT/PT	
05	CARPENTRY SHOP	CONC	SLR	-	EXPOSED	PT	GMB	MD00/PT/PT	
06	OFFICE - COMMON	CONC	SLR/MCM	RB	ACT	FF	GMB	PT	
07	FLEET MAINTENANCE BAYS	CONC	SLR	-	EXPOSED	PT	GMB	MD00/PT/PT	
08	STOR	CONC	SLR	RB	EXPOSED	PT	GMB	PT	
09	COFF	CONC	SLR	RB	EXPOSED	PT	GMB	PT	
10	HALL	CONC	SLR	RB	EXPOSED	PT	FRGMB	PT/FRP	
11	LAUNDRY	CONC	SLR	RB	GMB	PT	FRGMB	PT/FRP	
12	TOILET	CONC	RSNF	RSNF	GMB	PT	CBB	PT/FRP	
13	TOILET / SHOWER	CONC	RSNF	TL	FRGMB	PT	CBB	TL(2)	
14	PARTS / STORAGE	CONC	SLR	RB	EXPOSED	PT	GMB	PT	
15	TOOL ROOM	CONC	SLR	RB	EXPOSED	PT	GMB	PT	
16	TECH	CONC	SLR	RB	EXPOSED	PT	GMB	PT	
17	ELEC	CONC	SLR	RB	EXPOSED	PT	GMB	PT	
18	COMPRESSOR & LUBE OIL	CONC	SLR	RB	EXPOSED	PT	GMB	MD00/PT/PT	
19	FABRICATION & WELDING BAY	CONC	SLR	RB	EXPOSED	PT	GMB	MD00/PT/PT	
20	TIRE REPAIR & TIRE STORAGE BAY	CONC	SLR	RB	EXPOSED	PT	GMB	MD00/PT/PT	
21	WASH BAY	CONC	SLR	-	EXPOSED	PT	(4) PVC	(3)	
22	WASH BAY EQUIPMENT	CONC	SLR	RB	EXPOSED	PT	GMB	MD00/PT/PT	
23	FIRE SPRINKLER	CONC	SLR	RB	EXPOSED	PT	GMB	PT	

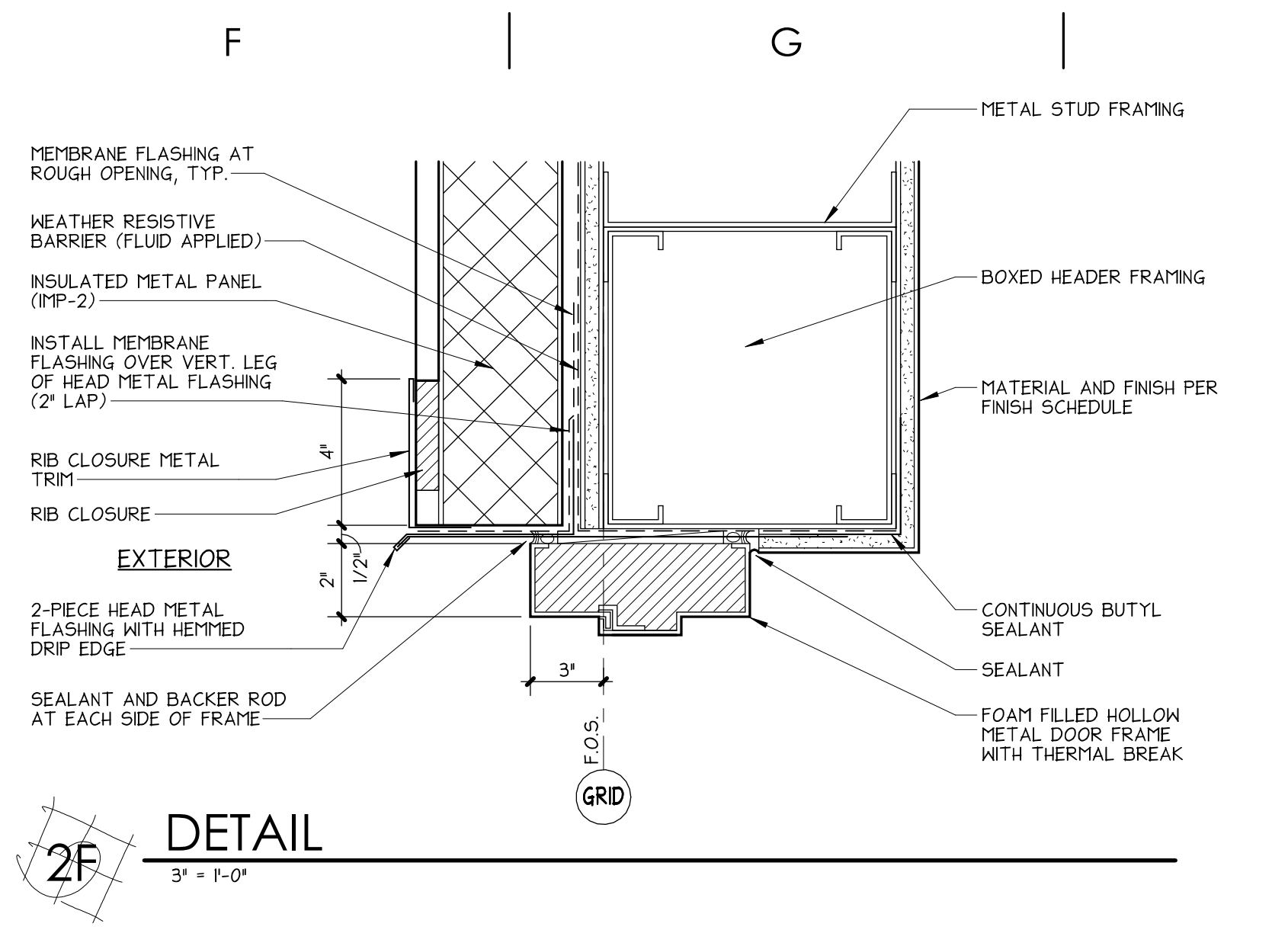
SCHEDULE NOTES	GENERAL NOTES
(1) MDO PLYWOOD (4X8) SHEETS HORIZONTAL INSTALLATION) FROM FLOOR TO 12'-0" HIGH ABOVE FINISHED FLOOR.	1. REFER TO COLORS AND MATERIALS SCHEDULE FOR COLORS AND FINISHES.
(2) FULL HEIGHT OF WALL.	2. "PAINT (PT)" IS A GENERIC TERM USED IN DOCUMENTS. REFER TO PROJECT MANUAL, SECTION 09 11 00, "PAINTING" FOR SPECIFIC TYPE OF APPLIED



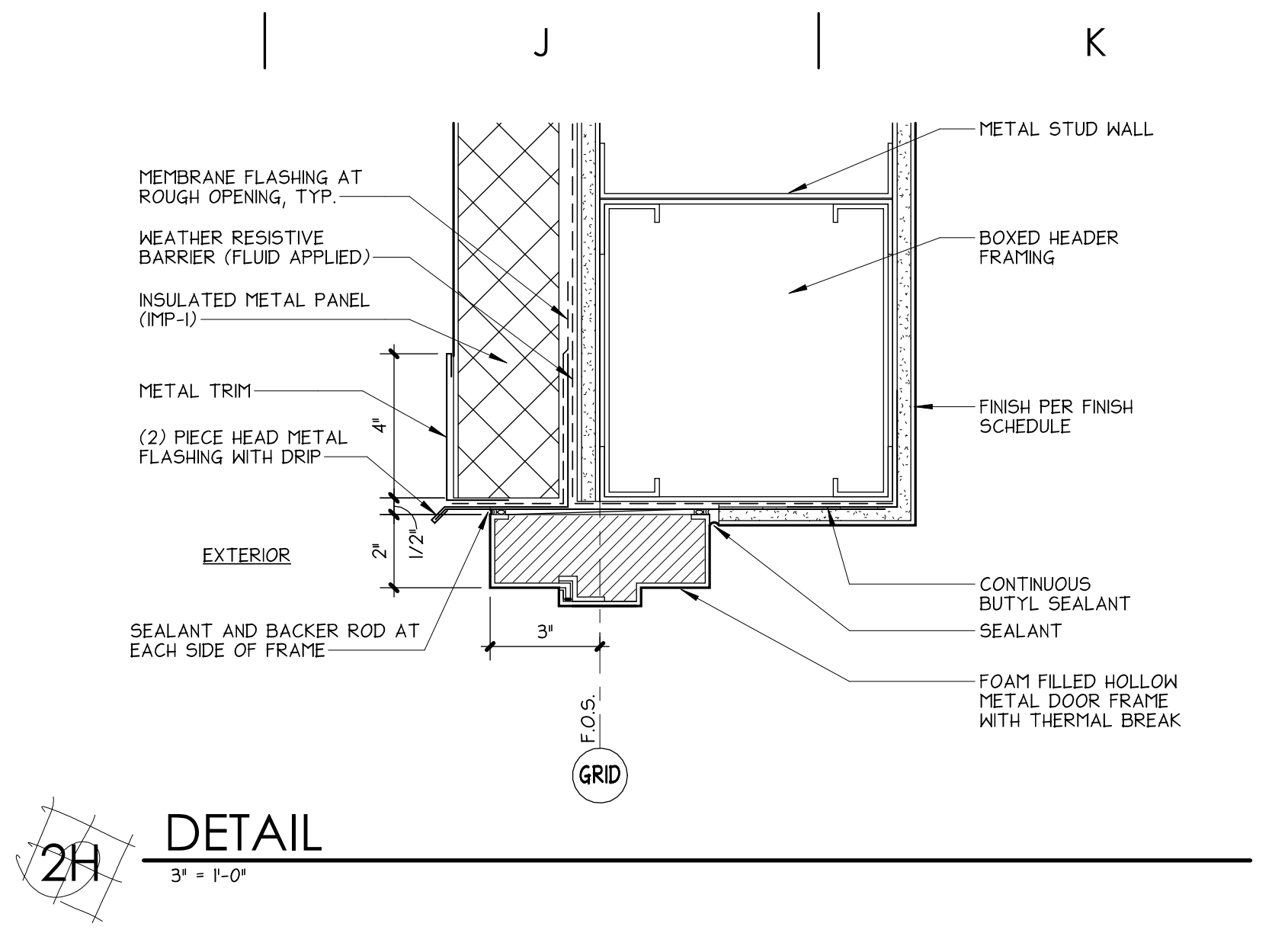
2A DETAIL
3' x 1'-0"



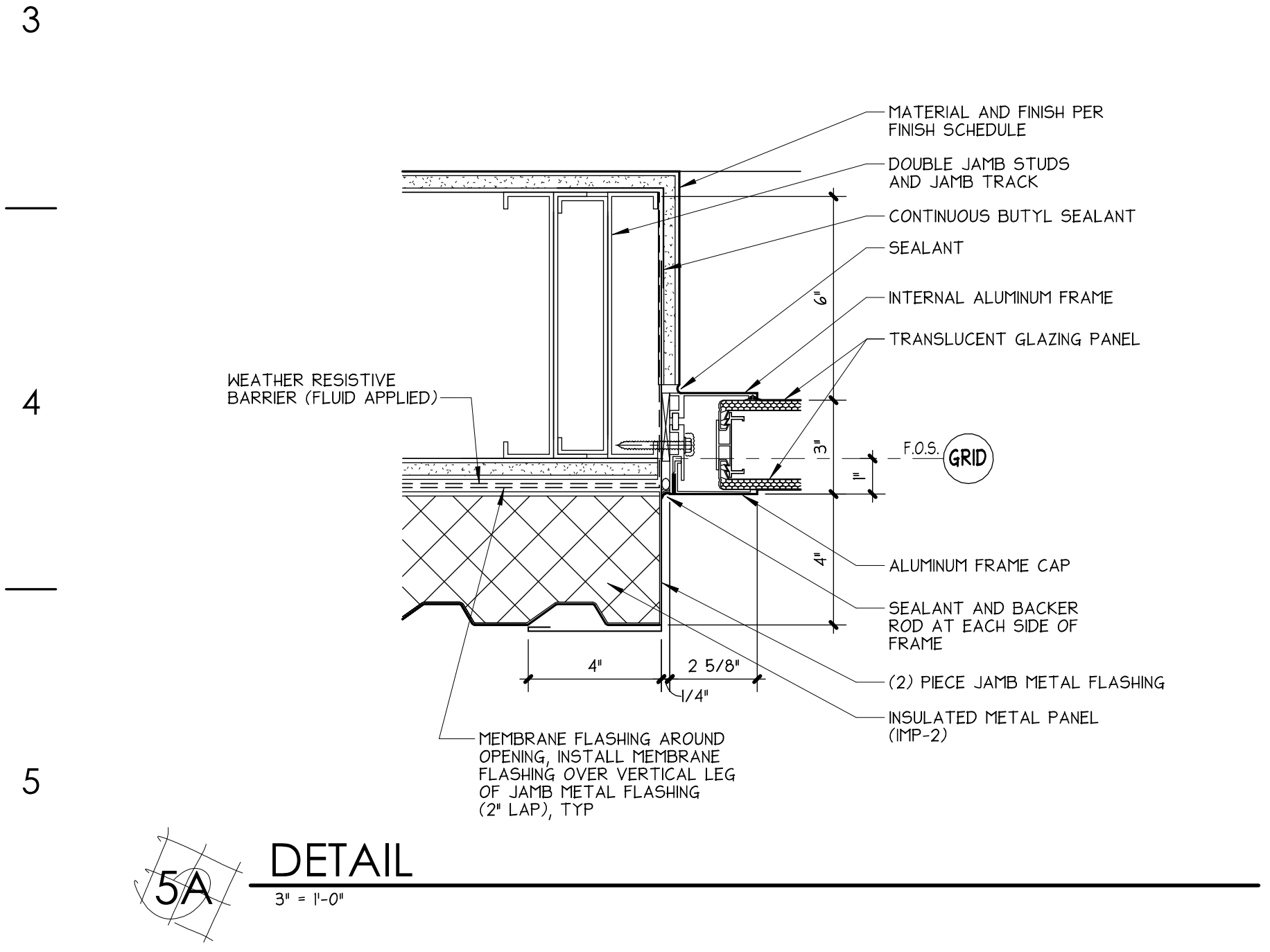
2C DETAIL
3' x 1'-0"



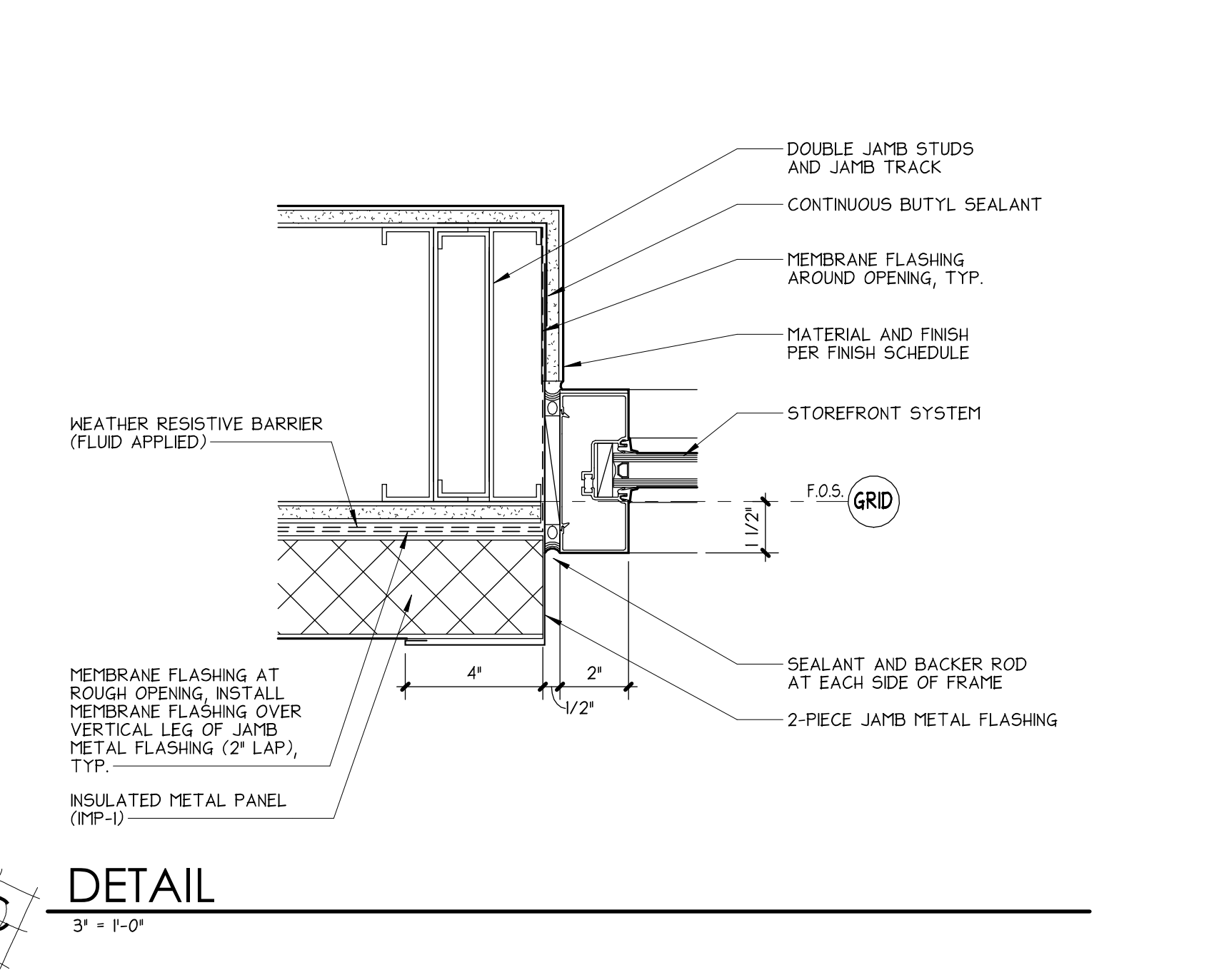
2F DETAIL
3' x 1'-0"



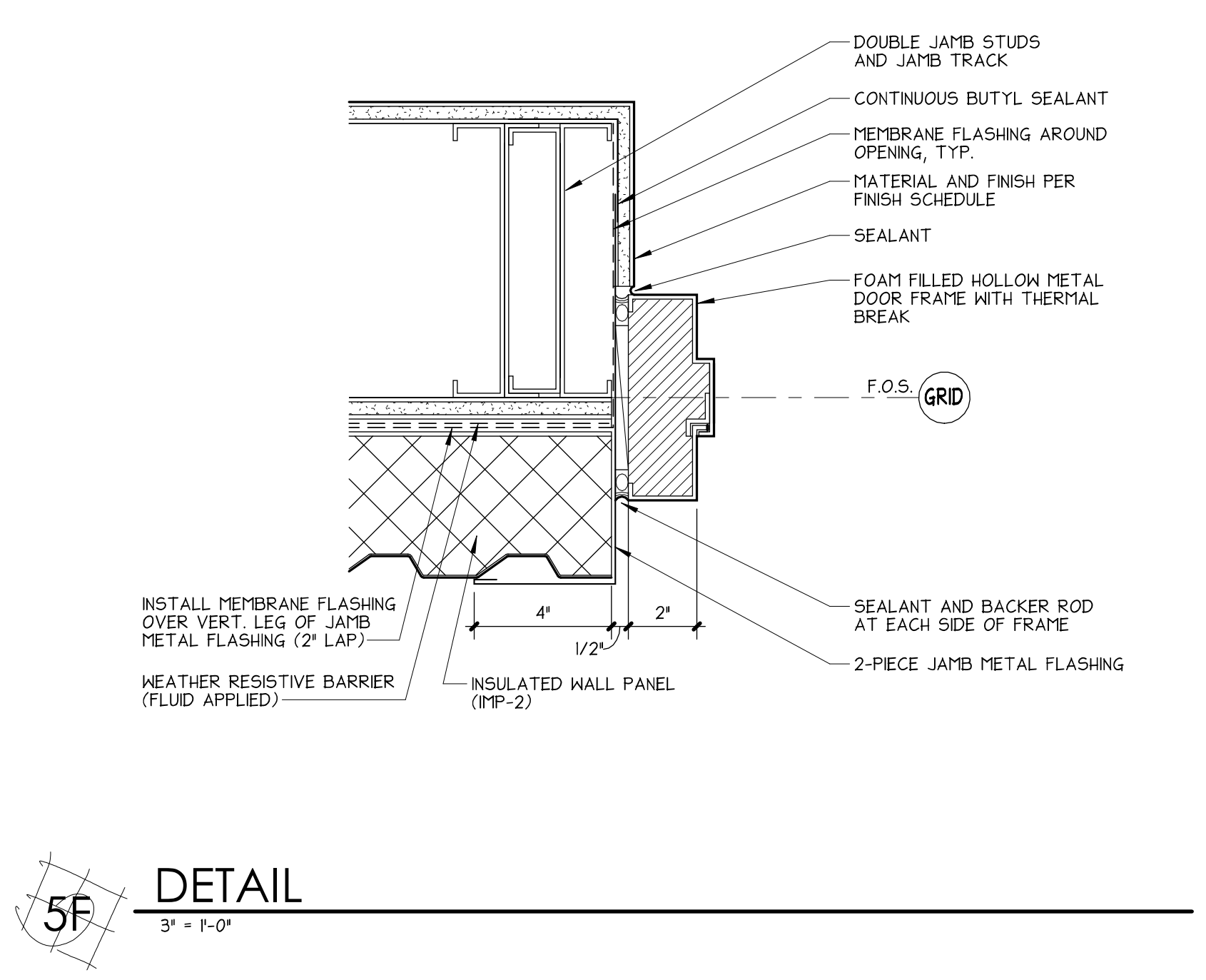
2H DETAIL
3' x 1'-0"



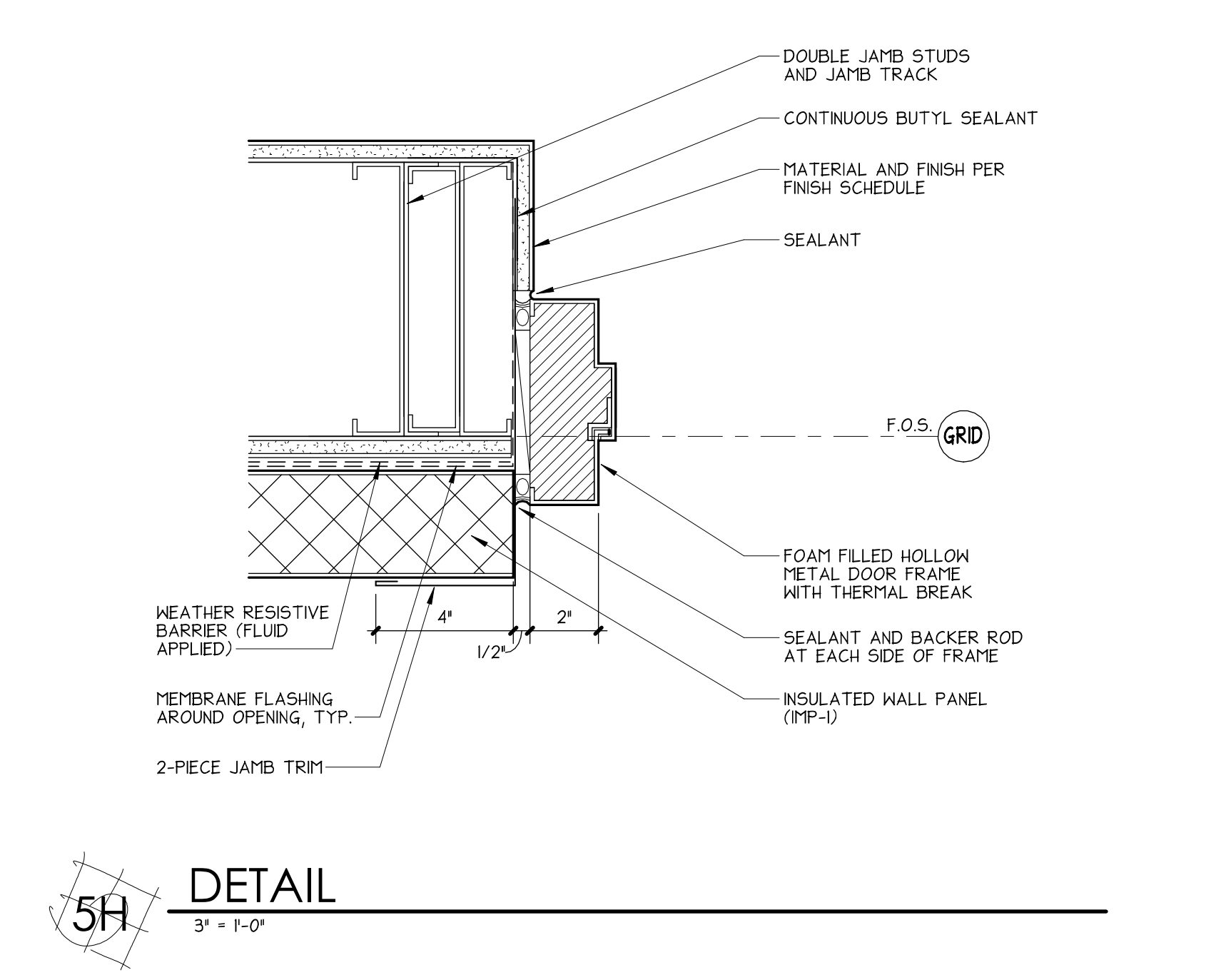
5A DETAIL
3' x 1'-0"



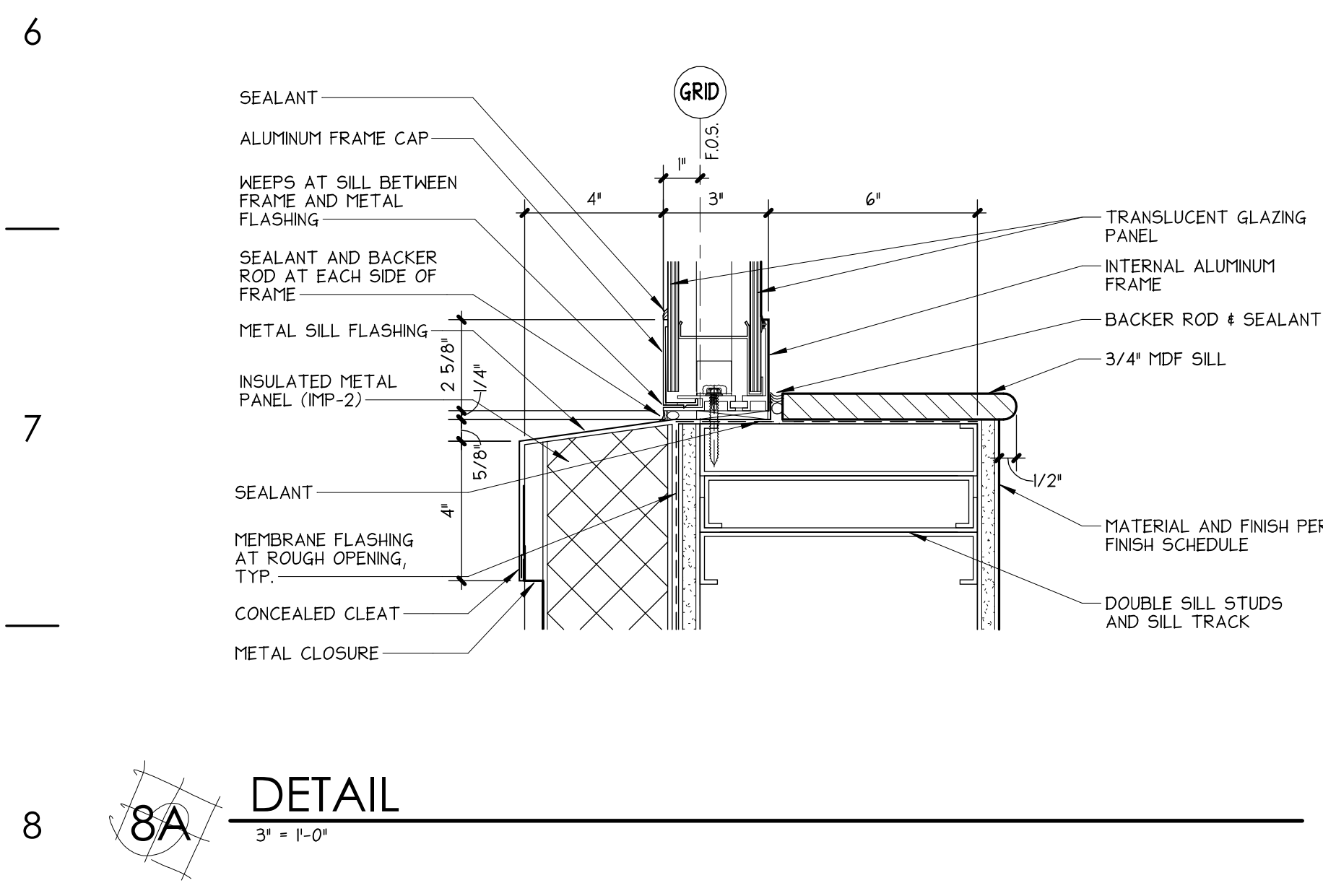
5C DETAIL
3' x 1'-0"



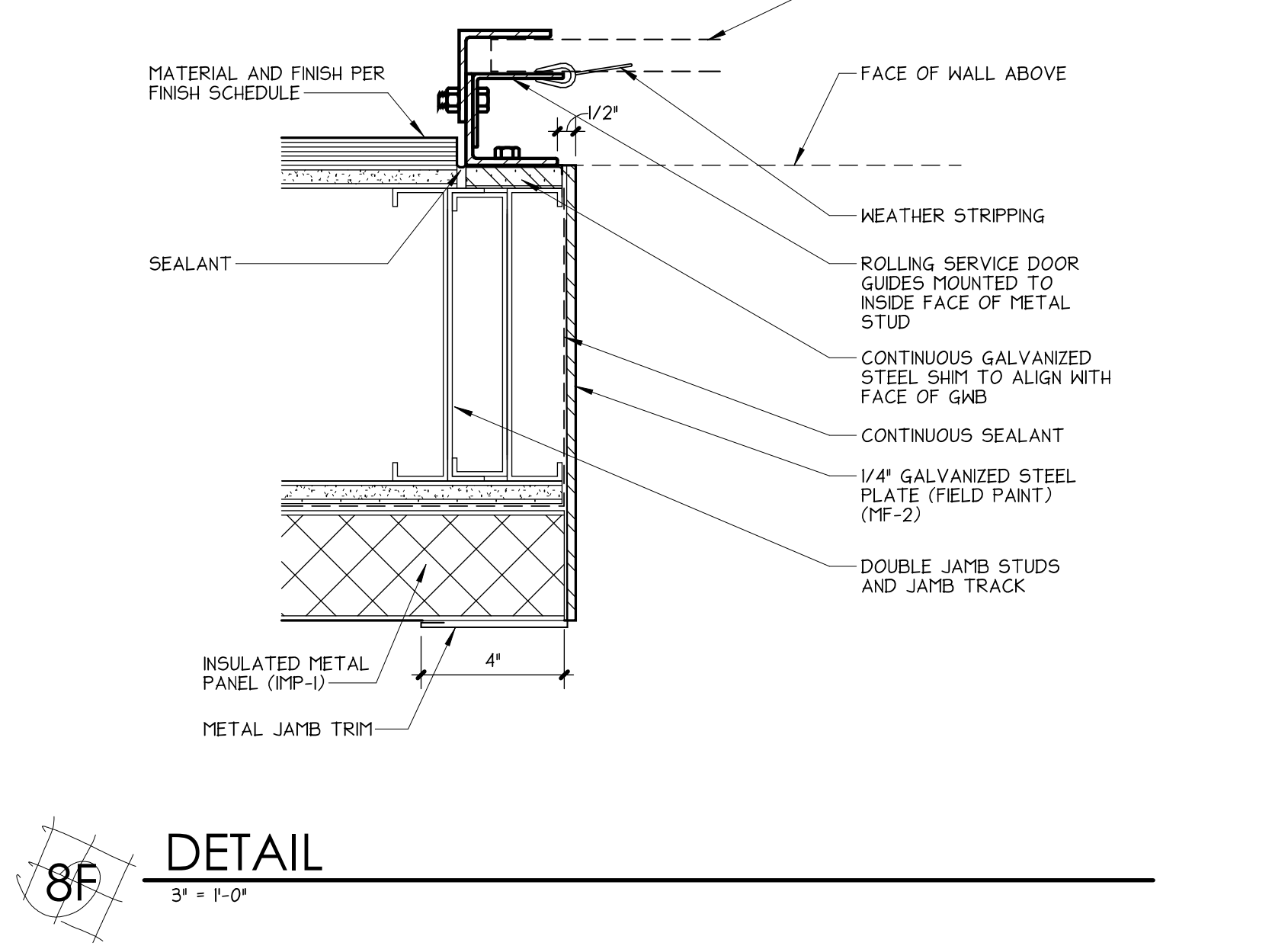
5F DETAIL
3' x 1'-0"



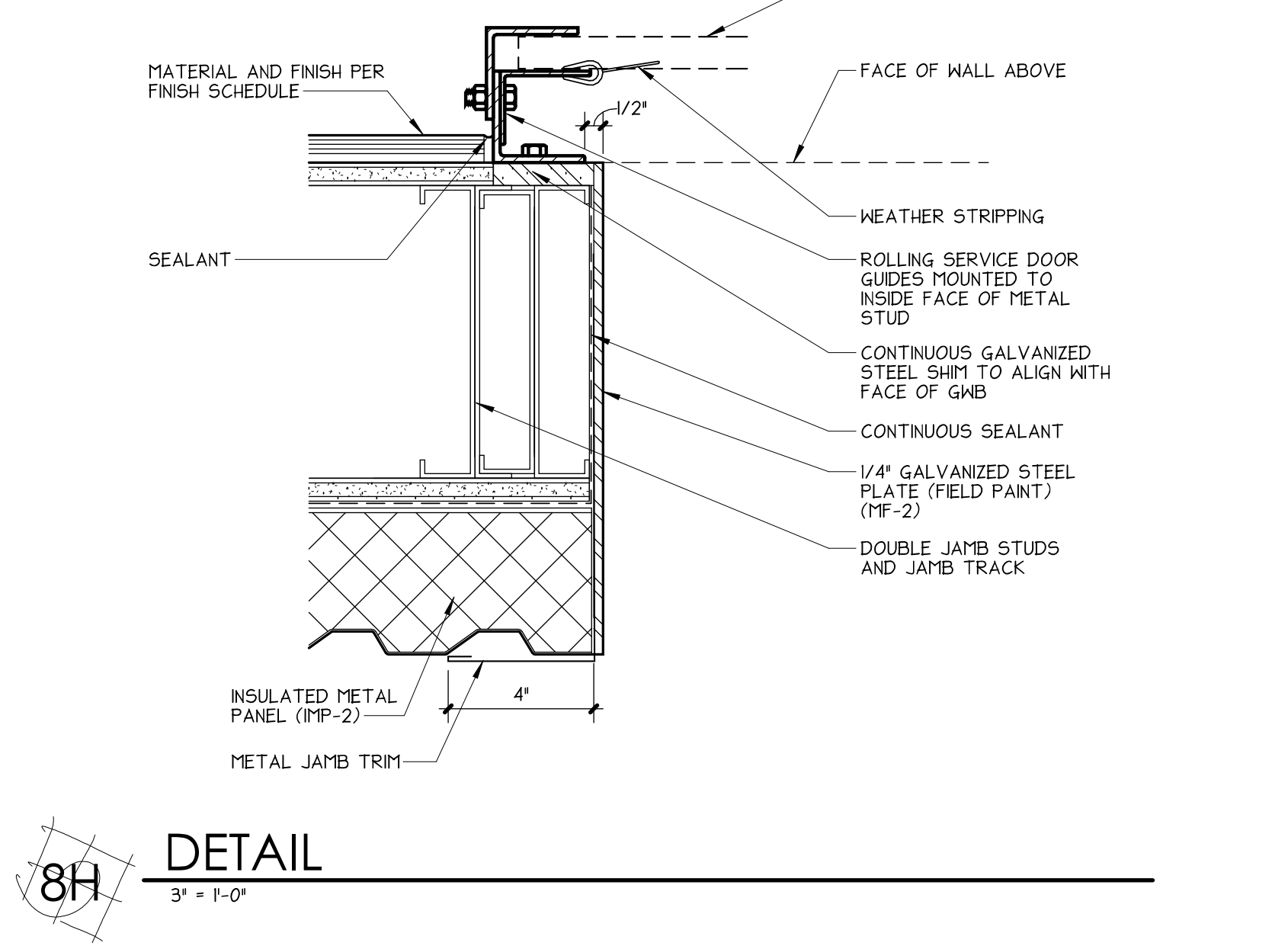
5H DETAIL
3' x 1'-0"



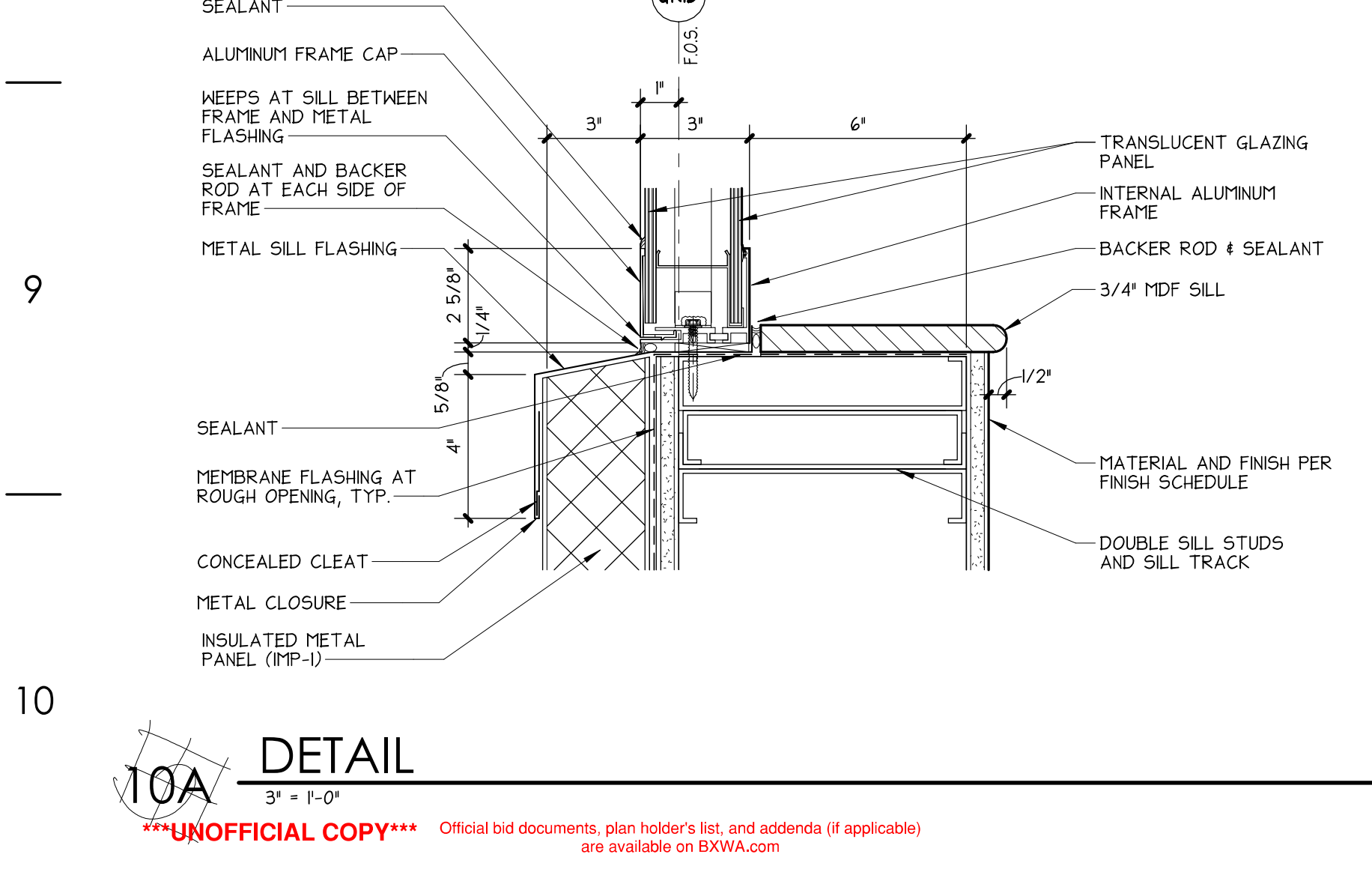
8A DETAIL
3' x 1'-0"



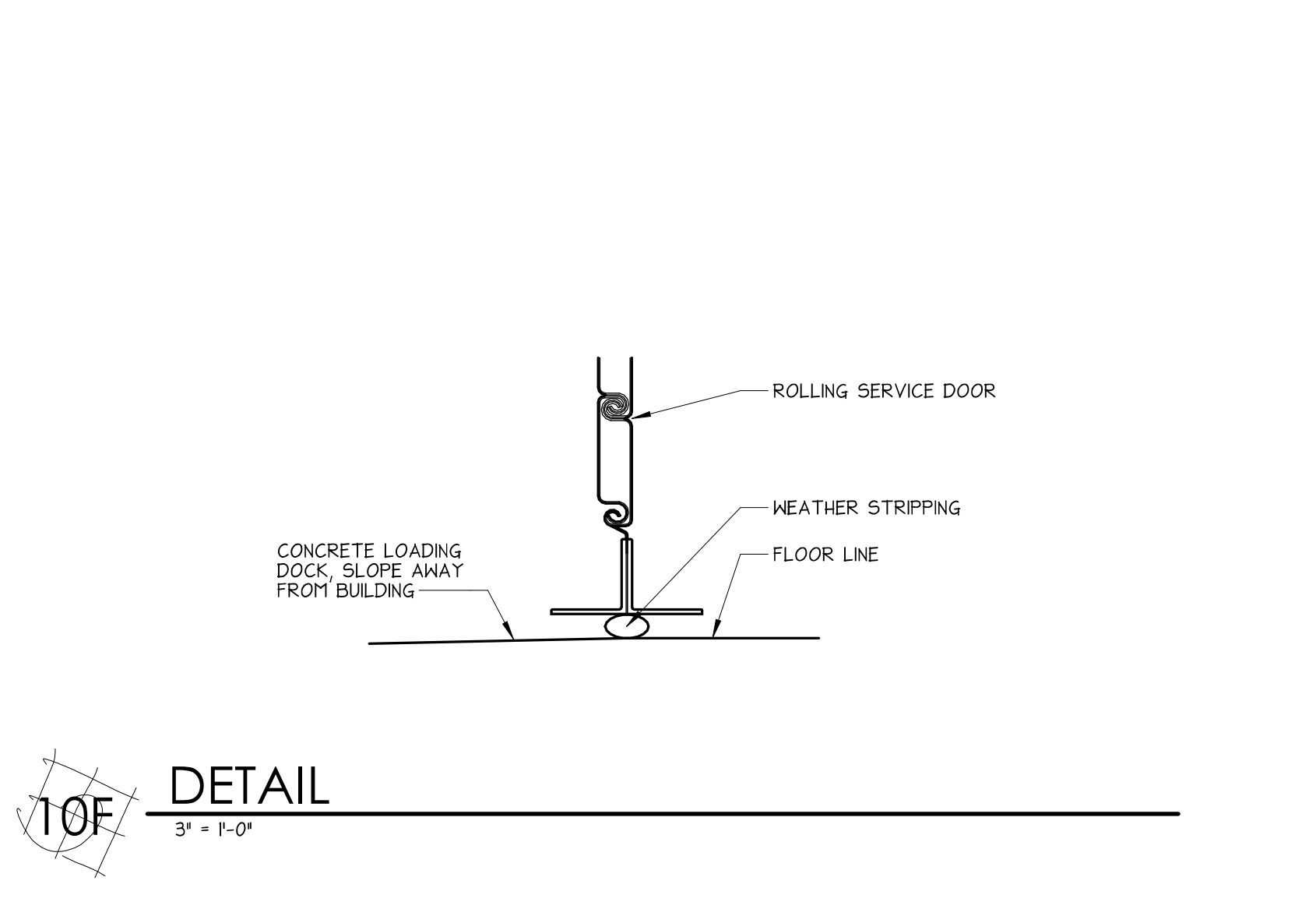
8F DETAIL
3' x 1'-0"



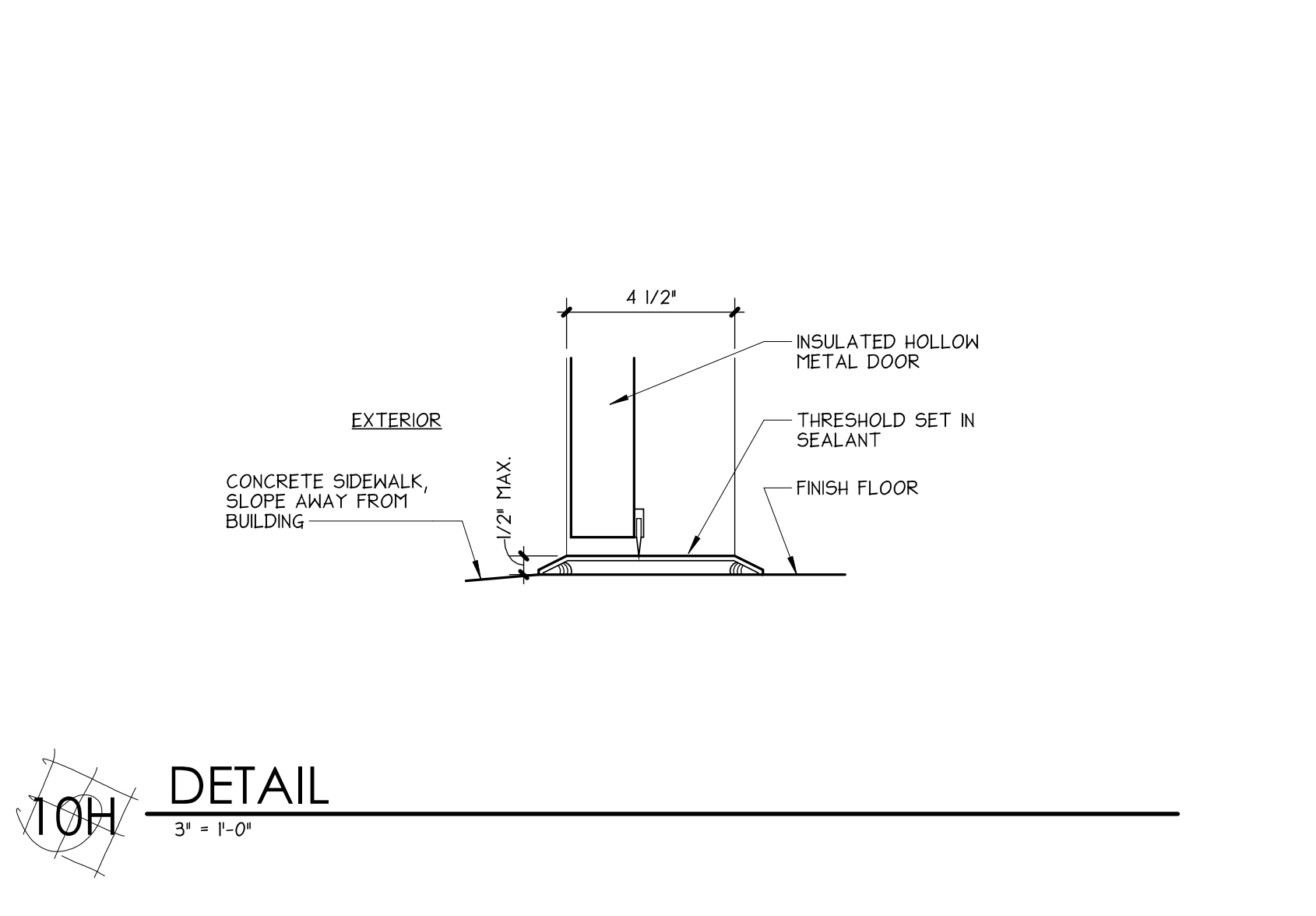
8H DETAIL
3' x 1'-0"



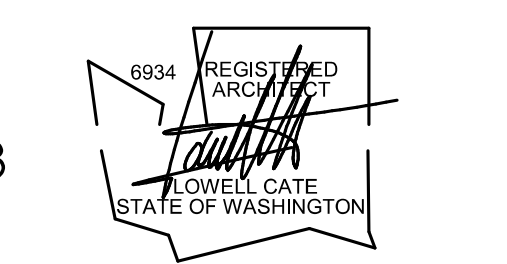
10A DETAIL
3' x 1'-0"



10F DETAIL
3' x 1'-0"



10H DETAIL
3' x 1'-0"



HELIX DESIGN GROUP, INC.

EXTERIOR DETAILS

CITY OF FEDERAL WAY FLEET & SHOP BUILDING

FEDERAL WAY, WASHINGTON

REVISION	DATE

BID SET

AB701

DRAWING NO. © HELIX DESIGN GROUP, INC. All rights reserved. No part of this document may be reproduced in any form or by any means without permission in writing from Helix Design Group.

PROJECT: 6/15/2024 10:58:46 AM - 6/15/24 - CITY OF FEDERAL WAY
 FILE PATH: C:\WORK\BIDDING\2024\02-1037 Fed Way OF - Bldg B - EXTERIOR\22_EBaksetmrc1

UNOFFICIAL COPY Official bid documents, plan holder's list, and addenda (if applicable) are available on BIXVA.com



TACOMA - SEATTLE - SPOKANE - TRICITIES
253.952.0022 fax: 253.952.2972 fax: www.helixdesign.com
2215 North 30th Street, Suite 300 Tacoma, WA 98403

STRUCTURAL NOTES

CITY OF FEDERAL WAY FLEET & SHOP BUILDING

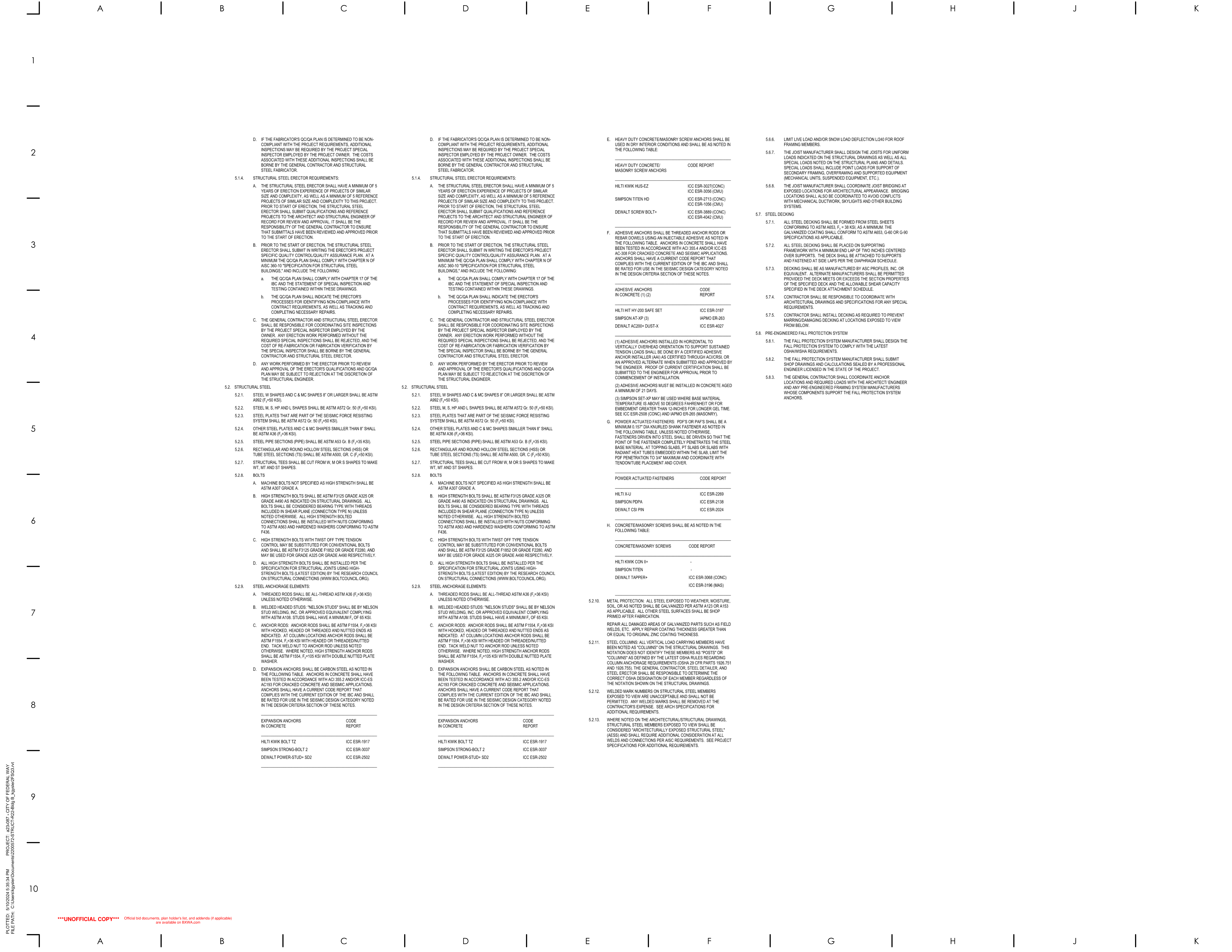
FEDERAL WAY, WASHINGTON

Table with 2 columns: REVISION, DATE. Includes fields for DATE (05-04-24) and JOB NO. (a23-087).

BID SET

DRAWING NO. SBO02

Helix Design Group, Inc. All rights reserved. No part of this document may be reproduced in any form or by any means without permission in writing from Helix Design Group.



D. IF THE FABRICATOR'S QCQA PLAN IS DETERMINED TO BE NON-COMPLIANT WITH THE PROJECT REQUIREMENTS, ADDITIONAL INSPECTIONS MAY BE REQUIRED BY THE PROJECT SPECIAL INSPECTOR EMPLOYED BY THE PROJECT OWNER. THE COSTS ASSOCIATED WITH THESE ADDITIONAL INSPECTIONS SHALL BE BORNE BY THE GENERAL CONTRACTOR AND STRUCTURAL STEEL FABRICATOR.

5.1.4. STRUCTURAL STEEL ERECTOR REQUIREMENTS. A. THE STRUCTURAL STEEL ERECTOR SHALL HAVE A MINIMUM OF 5 YEARS OF ERECTION EXPERIENCE OF PROJECTS OF SIMILAR SIZE AND COMPLEXITY... B. PRIOR TO THE START OF ERECTION, THE STRUCTURAL STEEL ERECTOR SHALL SUBMIT IN WRITING THE ERECTOR'S PROJECT SPECIFIC QUALITY CONTROL/QUALITY ASSURANCE PLAN... C. THE GENERAL CONTRACTOR AND STRUCTURAL STEEL ERECTOR SHALL BE RESPONSIBLE FOR COORDINATING SITE INSPECTIONS... D. ANY WORK PERFORMED BY THE ERECTOR PRIOR TO REVIEW AND APPROVAL OF THE ERECTOR'S QUALIFICATIONS AND QCQA PLAN MAY BE SUBJECT TO REJECTION AT THE DISCRETION OF THE STRUCTURAL ENGINEER.

5.2. STRUCTURAL STEEL. 5.2.1. STEEL W SHAPES AND C & MC SHAPES 8" OR LARGER SHALL BE ASTM A992 (Fy=50 KSI). 5.2.2. STEEL M, S, HP AND L SHAPES SHALL BE ASTM A572 Gr. 50 (Fy=50 KSI). 5.2.3. STEEL PLATES THAT ARE PART OF THE SEISMIC FORCE RESISTING SYSTEM SHALL BE ASTM A572 Gr. 50 (Fy=50 KSI). 5.2.4. OTHER STEEL PLATES AND C & MC SHAPES SMALLER THAN 8" SHALL BE ASTM A36 (Fy=36 KSI). 5.2.5. STEEL PIPE SECTIONS (PIPE) SHALL BE ASTM A53 Gr. B (Fy=35 KSI). 5.2.6. RECTANGULAR AND ROUND HOLLOW STEEL SECTIONS (HSS) OR TUBE STEEL SECTIONS (TS) SHALL BE ASTM A500, GR. C (Fy=50 KSI). 5.2.7. STRUCTURAL TEES SHALL BE CUT FROM W, M OR S SHAPES TO MAKE WT, MT AND ST SHAPES. 5.2.8. BOLTS. A. MACHINE BOLTS NOT SPECIFIED AS HIGH STRENGTH SHALL BE ASTM A307 GRADE A. B. HIGH STRENGTH BOLTS SHALL BE ASTM F3125 GRADE A325 OR GRADE A490 AS INDICATED ON STRUCTURAL DRAWINGS... C. HIGH STRENGTH BOLTS WITH TWIST OFF TYPE TENSION CONTROL MAY BE SUBSTITUTED FOR CONVENTIONAL BOLTS... D. ALL HIGH STRENGTH BOLTS SHALL BE INSTALLED PER THE SPECIFICATION FOR STRUCTURAL JOINTS USING HIGH-STRENGTH BOLTS (LATEST EDITION BY THE RESEARCH COUNCIL ON STRUCTURAL CONNECTIONS (WWW.BOLTCOUNCIL.ORG)). 5.2.9. STEEL ANCHORAGE ELEMENTS. A. THREADED RODS SHALL BE ALL-THREAD ASTM A36 (Fy=36 KSI) UNLESS NOTED OTHERWISE. B. WELDED HEADED STUDS "NELSON STUDS" SHALL BE BY NELSON STUD WELDING, INC. OR APPROVED EQUIVALENT COMPLYING WITH ASTM A108. STUDS SHALL HAVE A MINIMUM Fy OF 65 KSI. C. ANCHOR RODS: ANCHOR RODS SHALL BE ASTM F1554, Fy=36 KSI WITH HOOKED, HEADED OR THREADED AND NUTTED ENDS AS INDICATED. AT COLUMN LOCATIONS ANCHOR RODS SHALL BE ASTM F1554, Fy=36 KSI WITH HEADED OR THREADED/NUTTED END. TACK WELD NUT TO ANCHOR ROD UNLESS NOTED OTHERWISE. WHERE NOTED, HIGH STRENGTH ANCHOR RODS SHALL BE ASTM F1554, Fy=105 KSI WITH DOUBLE NUTTED PLATE WASHER. D. EXPANSION ANCHORS SHALL BE CARBON STEEL AS NOTED IN THE FOLLOWING TABLE. ANCHORS IN CONCRETE SHALL HAVE BEEN TESTED IN ACCORDANCE WITH ACI 308.2 AND/OR ICC-ES AC108 FOR CRACKED CONCRETE AND SEISMIC APPLICATIONS. ANCHORS SHALL HAVE A CURRENT CODE REPORT THAT COMPLIES WITH THE CURRENT EDITION OF THE IBC AND SHALL BE RATED FOR USE IN THE SEISMIC DESIGN CATEGORY NOTED IN THE DESIGN CRITERIA SECTION OF THESE NOTES.

Table with 2 columns: EXPANSION ANCHORS IN CONCRETE, CODE REPORT. Lists HILTI KWIK BOLT TZ, SIMPSON STRONG-BOLT 2, DEWALT POWER-STUD+ S02.

D. IF THE FABRICATOR'S QCQA PLAN IS DETERMINED TO BE NON-COMPLIANT WITH THE PROJECT REQUIREMENTS, ADDITIONAL INSPECTIONS MAY BE REQUIRED BY THE PROJECT SPECIAL INSPECTOR EMPLOYED BY THE PROJECT OWNER. THE COSTS ASSOCIATED WITH THESE ADDITIONAL INSPECTIONS SHALL BE BORNE BY THE GENERAL CONTRACTOR AND STRUCTURAL STEEL FABRICATOR.

5.1.4. STRUCTURAL STEEL ERECTOR REQUIREMENTS. A. THE STRUCTURAL STEEL ERECTOR SHALL HAVE A MINIMUM OF 5 YEARS OF ERECTION EXPERIENCE OF PROJECTS OF SIMILAR SIZE AND COMPLEXITY... B. PRIOR TO THE START OF ERECTION, THE STRUCTURAL STEEL ERECTOR SHALL SUBMIT IN WRITING THE ERECTOR'S PROJECT SPECIFIC QUALITY CONTROL/QUALITY ASSURANCE PLAN... C. THE GENERAL CONTRACTOR AND STRUCTURAL STEEL ERECTOR SHALL BE RESPONSIBLE FOR COORDINATING SITE INSPECTIONS... D. ANY WORK PERFORMED BY THE ERECTOR PRIOR TO REVIEW AND APPROVAL OF THE ERECTOR'S QUALIFICATIONS AND QCQA PLAN MAY BE SUBJECT TO REJECTION AT THE DISCRETION OF THE STRUCTURAL ENGINEER.

5.2. STRUCTURAL STEEL. 5.2.1. STEEL W SHAPES AND C & MC SHAPES 8" OR LARGER SHALL BE ASTM A992 (Fy=50 KSI). 5.2.2. STEEL M, S, HP AND L SHAPES SHALL BE ASTM A572 Gr. 50 (Fy=50 KSI). 5.2.3. STEEL PLATES THAT ARE PART OF THE SEISMIC FORCE RESISTING SYSTEM SHALL BE ASTM A572 Gr. 50 (Fy=50 KSI). 5.2.4. OTHER STEEL PLATES AND C & MC SHAPES SMALLER THAN 8" SHALL BE ASTM A36 (Fy=36 KSI). 5.2.5. STEEL PIPE SECTIONS (PIPE) SHALL BE ASTM A53 Gr. B (Fy=35 KSI). 5.2.6. RECTANGULAR AND ROUND HOLLOW STEEL SECTIONS (HSS) OR TUBE STEEL SECTIONS (TS) SHALL BE ASTM A500, GR. C (Fy=50 KSI). 5.2.7. STRUCTURAL TEES SHALL BE CUT FROM W, M OR S SHAPES TO MAKE WT, MT AND ST SHAPES. 5.2.8. BOLTS. A. MACHINE BOLTS NOT SPECIFIED AS HIGH STRENGTH SHALL BE ASTM A307 GRADE A. B. HIGH STRENGTH BOLTS SHALL BE ASTM F3125 GRADE A325 OR GRADE A490 AS INDICATED ON STRUCTURAL DRAWINGS... C. HIGH STRENGTH BOLTS WITH TWIST OFF TYPE TENSION CONTROL MAY BE SUBSTITUTED FOR CONVENTIONAL BOLTS... D. ALL HIGH STRENGTH BOLTS SHALL BE INSTALLED PER THE SPECIFICATION FOR STRUCTURAL JOINTS USING HIGH-STRENGTH BOLTS (LATEST EDITION BY THE RESEARCH COUNCIL ON STRUCTURAL CONNECTIONS (WWW.BOLTCOUNCIL.ORG)). 5.2.9. STEEL ANCHORAGE ELEMENTS. A. THREADED RODS SHALL BE ALL-THREAD ASTM A36 (Fy=36 KSI) UNLESS NOTED OTHERWISE. B. WELDED HEADED STUDS "NELSON STUDS" SHALL BE BY NELSON STUD WELDING, INC. OR APPROVED EQUIVALENT COMPLYING WITH ASTM A108. STUDS SHALL HAVE A MINIMUM Fy OF 65 KSI. C. ANCHOR RODS: ANCHOR RODS SHALL BE ASTM F1554, Fy=36 KSI WITH HOOKED, HEADED OR THREADED AND NUTTED ENDS AS INDICATED. AT COLUMN LOCATIONS ANCHOR RODS SHALL BE ASTM F1554, Fy=36 KSI WITH HEADED OR THREADED/NUTTED END. TACK WELD NUT TO ANCHOR ROD UNLESS NOTED OTHERWISE. WHERE NOTED, HIGH STRENGTH ANCHOR RODS SHALL BE ASTM F1554, Fy=105 KSI WITH DOUBLE NUTTED PLATE WASHER. D. EXPANSION ANCHORS SHALL BE CARBON STEEL AS NOTED IN THE FOLLOWING TABLE. ANCHORS IN CONCRETE SHALL HAVE BEEN TESTED IN ACCORDANCE WITH ACI 308.2 AND/OR ICC-ES AC108 FOR CRACKED CONCRETE AND SEISMIC APPLICATIONS. ANCHORS SHALL HAVE A CURRENT CODE REPORT THAT COMPLIES WITH THE CURRENT EDITION OF THE IBC AND SHALL BE RATED FOR USE IN THE SEISMIC DESIGN CATEGORY NOTED IN THE DESIGN CRITERIA SECTION OF THESE NOTES.

Table with 2 columns: EXPANSION ANCHORS IN CONCRETE, CODE REPORT. Lists HILTI KWIK BOLT TZ, SIMPSON STRONG-BOLT 2, DEWALT POWER-STUD+ S02.

E. HEAVY DUTY CONCRETE/MASONRY SCREW ANCHORS SHALL BE USED IN DRY INTERIOR CONDITIONS AND SHALL BE AS NOTED IN THE FOLLOWING TABLE.

Table with 2 columns: HEAVY DUTY CONCRETE/MASONRY SCREW ANCHORS, CODE REPORT. Lists HILTI KWIK HUS-EZ, SIMPSON TITEN HD, DEWALT SCREW BOLT+.

F. ADHESIVE ANCHORS SHALL BE THREADED ANCHOR RODS OR REBAR DOWELS USING AN INJECTABLE ADHESIVE AS NOTED IN THE FOLLOWING TABLE. ANCHORS IN CONCRETE SHALL HAVE BEEN TESTED IN ACCORDANCE WITH ACI 308.4 AND/OR ICC-ES AC-308 FOR CRACKED CONCRETE AND SEISMIC APPLICATIONS. ANCHORS SHALL HAVE A CURRENT CODE REPORT THAT COMPLIES WITH THE CURRENT EDITION OF THE IBC AND SHALL BE RATED FOR USE IN THE SEISMIC DESIGN CATEGORY NOTED IN THE DESIGN CRITERIA SECTION OF THESE NOTES.

Table with 2 columns: ADHESIVE ANCHORS IN CONCRETE (1) (2), CODE REPORT. Lists HILTI HIT HY-200 SAFE SET, SIMPSON AT-XP (3), DEWALT AC208-DUST-X.

(1) ADHESIVE ANCHORS INSTALLED IN HORIZONTAL TO VERTICALLY OVERHEAD ORIENTATION TO SUPPORT SUBSTANT TENSION LOADS SHALL BE DONE BY A CERTIFIED ADHESIVE ANCHOR INSTALLER (AA) AS CERTIFIED THROUGH AICORS OR AN APPROVED ALTERNATE WHEN SUBMITTED AND APPROVED BY THE ENGINEER. PROOF OF CURRENT CERTIFICATION SHALL BE SUBMITTED TO THE ENGINEER FOR APPROVAL PRIOR TO COMMENCEMENT OF INSTALLATION. (2) ADHESIVE ANCHORS MUST BE INSTALLED IN CONCRETE AGED A MINIMUM OF 21 DAYS. (3) SIMPSON SET-XP MAY BE USED WHERE BASE MATERIAL TEMPERATURE IS ABOVE 50 DEGREES FAHRENHEIT OR FOR EMBEDMENT GREATER THAN 12-INCHES FOR LONGER GEL TIME. SEE ICC ESR-2508 (CONC) AND IAPMO ER-265 (MASONRY).

G. POWDER ACTUATED FASTENERS: POP'S OR PAF'S SHALL BE A MINIMUM 0.137" DIA. KNURLED SHANK FASTENERS AS NOTED IN THE FOLLOWING TABLE. UNLESS NOTED OTHERWISE, FASTENERS DRIVEN INTO STEEL SHALL BE DRIVEN SO THAT THE POINT OF THE FASTENER COMPLETELY PENETRATES THE STEEL BASE MATERIAL AT TOPPING SLABS, PT SLABS OR SLABS WITH RADIANT HEAT TUBES EMBEDDED WITHIN THE SLAB. LIMIT THE PAF PENETRATION TO 3/4" MAXIMUM AND COORDINATE WITH TENDONTUBE PLACEMENT AND COVER.

Table with 2 columns: POWDER ACTUATED FASTENERS, CODE REPORT. Lists HILTI XU, SIMPSON PDDA, DEWALT CSI PIN.

H. CONCRETE/MASONRY SCREWS SHALL BE AS NOTED IN THE FOLLOWING TABLE.

Table with 2 columns: CONCRETE/MASONRY SCREWS, CODE REPORT. Lists HILTI KWIK CON II+, SIMPSON TITEN, DEWALT TAPPER+.

5.2.10. METAL PROTECTION: ALL STEEL EXPOSED TO WEATHER, MOISTURE, SOIL, OR AS NOTED SHALL BE GALVANIZED PER ASTM A123 OR A153 AS APPLICABLE. ALL OTHER STEEL SURFACES SHALL BE SHIP PRIMED AFTER FABRICATION. REPAIR ALL DAMAGED AREAS OF GALVANIZED PARTS SUCH AS FIELD WELDS, ETC. APPLY REPAIR COATING THICKNESS GREATER THAN OR EQUAL TO ORIGINAL ZINC COATING THICKNESS.

5.2.11. STEEL COLUMNS: ALL VERTICAL LOAD CARRYING MEMBERS HAVE BEEN NOTED AS "COLUMNS" ON THE STRUCTURAL DRAWINGS. THIS NOTATION DOES NOT IDENTIFY THESE MEMBERS AS "POSTS" OR "COLUMNS" AS DEFINED BY THE LATEST OSHA RULES REGARDING COLUMN ANCHORAGE REQUIREMENTS (OSHA 29 CFR PARTS 1926.751 AND 1926.755). THE GENERAL CONTRACTOR, STEEL DETAILER, AND STEEL ERECTOR SHALL BE RESPONSIBLE TO DETERMINE THE CORRECT OSHA DESIGNATION OF EACH MEMBER REGARDLESS OF THE NOTATION SHOWN ON THE STRUCTURAL DRAWINGS.

5.2.12. WELDED MARK NUMBERS ON STRUCTURAL STEEL MEMBERS EXPOSED TO VIEW ARE UNACCEPTABLE AND SHALL NOT BE PERMITTED. ANY WELDED MARKS SHALL BE REMOVED AT THE CONTRACTOR'S EXPENSE. SEE ARCH SPECIFICATIONS FOR ADDITIONAL REQUIREMENTS.

5.2.13. WHERE NOTED ON THE ARCHITECTURAL/STRUCTURAL DRAWINGS, STRUCTURAL STEEL MEMBERS EXPOSED TO VIEW SHALL BE CONSIDERED "ARCHITECTURALLY EXPOSED STRUCTURAL STEEL" (AESS) AND SHALL REQUIRE ADDITIONAL CONSIDERATION AT ALL WELDS AND CONNECTIONS FOR AESS REQUIREMENTS. SEE PROJECT SPECIFICATIONS FOR ADDITIONAL REQUIREMENTS.

5.6.6. LIMIT LIVE LOAD AND/OR SNOW LOAD DEFLECTION L/240 FOR ROOF FRAMING MEMBERS.

5.6.7. THE JOIST MANUFACTURER SHALL DESIGN THE JOISTS FOR UNIFORM LOADS INDICATED ON THE STRUCTURAL DRAWINGS AS WELL AS ALL SPECIAL LOADS NOTED ON THE STRUCTURAL PLANS AND DETAILS. SPECIAL LOADS SHALL INCLUDE POINT LOADS FOR SUPPORT OF SECONDARY FRAMING, OVERFRAMING AND SUPPORTED EQUIPMENT (MECHANICAL UNITS, SUSPENDED EQUIPMENT, ETC.).

5.6.8. THE JOIST MANUFACTURER SHALL COORDINATE JOIST BRIDGING AT EXPOSED LOCATIONS FOR ARCHITECTURAL APPEARANCE. BRIDGING LOCATIONS SHALL ALSO BE COORDINATED TO AVOID CONFLICTS WITH MECHANICAL DUCTWORK, SKYLIGHTS AND OTHER BUILDING SYSTEMS.

5.7. STEEL DECKING

5.7.1. ALL STEEL DECKING SHALL BE FORMED FROM STEEL SHEETS CONFORMING TO ASTM A653, Fy=38 KSI AS A MINIMUM. THE GALVANIZED COATING SHALL CONFORM TO ASTM A653, G-40 OR G-90 SPECIFICATIONS AS APPLICABLE.

5.7.2. ALL STEEL DECKING SHALL BE PLACED ON SUPPORTING FRAMEWORK WITH A MINIMUM END LAP OF TWO INCHES CENTERED OVER SUPPORTS. THE DECK SHALL BE ATTACHED TO SUPPORTS AND FASTENED AT SIDE LAPS PER THE DIAPHRAGM SCHEDULE.

5.7.3. DECKING SHALL BE AS MANUFACTURED BY ASC PROFILES, INC. OR EQUIVALENT. ALTERNATE MANUFACTURERS SHALL BE PERMITTED PROVIDED THE DECK MEETS OR EXCEEDS THE SECTION PROPERTIES OF THE SPECIFIED DECK AND THE ALLOWABLE SHEAR CAPACITY SPECIFIED IN THE DECK ATTACHMENT SCHEDULE.

5.7.4. CONTRACTOR SHALL BE RESPONSIBLE TO COORDINATE WITH ARCHITECTURAL DRAWINGS AND SPECIFICATIONS FOR ANY SPECIAL REQUIREMENTS.

5.7.5. CONTRACTOR SHALL INSTALL DECKING AS REQUIRED TO PREVENT MARRING/DAMAGING DECKING AT LOCATIONS EXPOSED TO VIEW FROM BELOW.

5.8. PRE-ENGINEERED FALL PROTECTION SYSTEM

5.8.1. THE FALL PROTECTION SYSTEM MANUFACTURER SHALL DESIGN THE FALL PROTECTION SYSTEM TO COMPLY WITH THE LATEST OSHA/WISHA REQUIREMENTS.

5.8.2. THE FALL PROTECTION SYSTEM MANUFACTURER SHALL SUBMIT SHOP DRAWINGS AND CALCULATIONS SEALED BY A PROFESSIONAL ENGINEER LICENSED IN THE STATE OF THE PROJECT.

5.8.3. THE GENERAL CONTRACTOR SHALL COORDINATE ANCHOR LOCATIONS AND REQUIRED LOADS WITH THE ARCHITECT/ENGINEER AND ANY PRE-ENGINEERED FRAMING SYSTEM MANUFACTURERS WHOSE COMPONENTS SUPPORT THE FALL PROTECTION SYSTEM ANCHORS.

PLotted: 01/02/24 4:53:34 PM PROJECT: FED. CITY OF FEDERAL WAY FILE PATH: C:\Users\gghughes\Documents\2023\02-25-24\City of Federal Way_Signing\20230224

UNOFFICIAL COPY Official bid documents, plan holder's list, and addenda (if applicable) are available on BIXWA.com



QUALITY ASSURANCE PLAN

CITY OF FEDERAL WAY FLEET & SHOP BUILDING

FEDERAL WAY, WASHINGTON

Table with columns for REVISION and DATE, containing a list of revision entries.

DATE: 05.06.24 JOB NO: a23-087 BID SET

DRAWING NO. HELIX DESIGN GROUP, INC. All rights reserved. No part of this document may be reproduced in any form or by any means without permission in writing from Helix Design Group.

11. STATEMENT OF SPECIAL INSPECTIONS. Table with columns: IBC, SI, SO, TITLE. Lists various construction types and their inspection requirements.

SI = SPECIAL INSPECTION
SO = STRUCTURAL OBSERVATION
✓ = ITEM IS REQUIRED
NR = ITEM IS NOT REQUIRED
SPECIAL INSPECTIONS INDICATED ARE FOR STRUCTURAL ELEMENTS ONLY. SEE ARCH, MECH, AND ELEC DRAWINGS FOR ADDITIONAL SPECIAL INSPECTIONS.

- 11. INSPECTION/TESTING REQUIREMENTS. SEE DRAWINGS, SPECIFICATIONS, AND IBC SECTIONS 110, AND CHAPTER 17.
11.2. INSPECTIONS BY THE BUILDING OFFICIAL (IBC SECTION 110):
11.2.1. FOOTING AND FOUNDATION INSPECTIONS SHALL BE MADE AFTER EXCAVATIONS ARE COMPLETE AND ANY REQUIRED REINFORCING IS IN PLACE...
11.2.2. CONCRETE SLAB AND UNDER FLOOR INSPECTIONS SHALL BE MADE AFTER ALL IN SLAB OR UNDER FLOOR REINFORCING, CONDUIT, PIPING AND OTHER ANCLLARY EQUIPMENT ITEMS AND ACCESSORIES ARE IN PLACE BUT PRIOR TO CONCRETE PLACEMENT OR FLOOR SHEATHING INSTALLATION.
11.2.3. FRAMING INSPECTIONS SHALL BE MADE AFTER ALL SHEATHING, FRAMING, BRACING AND BRACING ARE COMPLETE AND ALL PIPES, DUCTS, ELECTRICAL, PLUMBING, ETC., ARE INSTALLED AND APPROVED PRIOR TO COVER.
11.2.4. IN ADDITION TO THE INSPECTIONS SPECIFIED ABOVE, THE BUILDING OFFICIAL IS AUTHORIZED TO MAKE OR REQUIRE OTHER INSPECTIONS OF ANY CONSTRUCTION WORK TO ASCERTAIN COMPLIANCE WITH THE PROVISIONS OF THE IBC OR OTHER LAWS ENFORCED BY THE BUILDING OFFICIAL.
11.3. STRUCTURAL TESTS AND SPECIAL INSPECTIONS (IBC CHAPTER 17):
11.3.1. SEE PROJECT SPECIFICATIONS FOR ADDITIONAL REQUIREMENTS.
11.3.2. STRUCTURAL TESTS AND SPECIAL INSPECTIONS SHALL BE PERFORMED IN ACCORDANCE WITH THE REQUIREMENTS OF CHAPTER 17 OF THE IBC AS WELL AS ANY ADDITIONAL REQUIREMENTS OF THE BUILDING OFFICIAL. OMISSION FROM THE LIST BELOW OF TESTING AND INSPECTION REQUIREMENTS SHALL NOT RELIEVE THE CONTRACTOR FROM PROVIDING TESTING AND INSPECTION REQUIRED BY THE SPECIFICATIONS, THE IBC AND THE BUILDING OFFICIAL.
11.3.3. TESTING AND SPECIAL INSPECTIONS SHALL BE COMPLETED IN ACCORDANCE WITH THE REQUIREMENTS OF CHAPTER 17 OF THE IBC FOR THE ITEMS LISTED IN THIS SECTION.
11.4. STRUCTURAL OBSERVATION
11.4.1. STRUCTURAL OBSERVATION SHALL BE PERFORMED DURING CONSTRUCTION IN A MANNER AS REQUIRED TO BECOME GENERALLY FAMILIAR WITH THE IN-PLACE CONSTRUCTION.
11.4.2. STRUCTURAL OBSERVATION EXTENT SHALL BE AS INDICATED ABOVE. TIMING AND DURATION OF OBSERVATIONS SHALL BE COORDINATED WITH THE GENERAL CONTRACTOR DURING CONSTRUCTION.
11.4.3. CONSTRUCTION OBSERVATION REPORTS AND FINDINGS SHALL NOT BE VIEWED AS A WARRANTY OR GUARANTEE BY THE STRUCTURAL ENGINEER.
11.5. SPECIAL INSPECTOR SHALL BE CURRENTLY WABO CERTIFIED.
11.5.1. THE SPECIAL INSPECTOR SHALL OBSERVE THE WORK ASSIGNED FOR CONFORMANCE WITH THE APPROVED DESIGN DRAWINGS AND SPECIFICATIONS.
11.5.2. THE SPECIAL INSPECTOR SHALL FURNISH INSPECTION REPORTS TO THE BUILDING OFFICIAL, ENGINEER OF RECORD, ARCHITECT OF RECORD, AND OTHER DESIGNATED PERSONS. ALL DISCREPANCIES SHALL BE BROUGHT TO THE IMMEDIATE ATTENTION OF THE GENERAL CONTRACTOR FOR CORRECTION. THEN, IF NOT IN CONFORMANCE, TO THE PROPER DESIGN AUTHORITY AND BUILDING OFFICIAL.
11.5.3. THE SPECIAL INSPECTOR SHALL SUBMIT A FINAL REPORT STATING WHETHER THE WORK REQUIRING SPECIAL INSPECTION WAS IN CONFORMANCE WITH THE APPROVED PLANS AND SPECIFICATIONS AND THE APPLICABLE WORKMANSHIP PROVISIONS OF THE IBC.

12A. REQUIRED SPECIAL INSPECTIONS AND TEST OF SOILS. Table with columns: IBC TABLE 1705.6, SPECIAL INSPECTION OR TEST TYPE, CONTINUOUS SPECIAL INSPECTION, PERIODIC SPECIAL INSPECTION. Lists soil testing requirements.

- 12. SPECIAL INSPECTIONS AND TESTS FOR EXISTING SITE SOIL CONDITIONS, FILL PLACEMENT, AND LOAD-BEARING REQUIREMENTS PER IBC 1705.6, AS NOTED IN TABLE 12A.
12.1.1. THE APPROVED GEOTECHNICAL REPORT AND THE CONSTRUCTION DOCUMENTS PREPARED BY THE REGISTERED DESIGN PROFESSIONALS SHALL BE USED TO DETERMINE COMPLIANCE.

13. REQUIRED SPECIAL INSPECTIONS AND TESTS OF CONCRETE CONSTRUCTION. Table with columns: SPECIAL INSPECTION OR TEST TYPE, CONTINUOUS SPECIAL INSPECTION, PERIODIC SPECIAL INSPECTION, REFERENCED STANDARD, IBC REFERENCE. Lists concrete inspection requirements.

- 13.1. CONCRETE: SPECIAL INSPECTION AND TESTING PER IBC TABLE 1705.3 AS NOTED IN TABLE 13, INCLUDING:
13.1.1. CONTINUOUS SPECIAL INSPECTION OF CONCRETE PLACEMENT FOR PROPER APPLICATION TECHNIQUES.
13.1.2. CONTINUOUS SPECIAL INSPECTION OF BOLTS INSTALLED IN CONCRETE PRIOR TO AND DURING PLACEMENT OF CONCRETE.
13.1.3. SPECIFIC REQUIREMENTS FOR SPECIAL INSPECTION OF ANCHORS INSTALLED IN HARDENED CONCRETE SHALL BE AS DESCRIBED IN THE RESEARCH REPORT ISSUED BY AN APPROVED SOURCE (ICC, IAPMO, ETC.).
13.1.4. CONTINUOUS SPECIAL INSPECTION FOR CONCRETE REINFORCING BARS, CONCRETE MATERIALS OR PLACEMENT OF CONCRETE FOR COMPOSITE MEMBERS.
13.2. SPECIAL INSPECTIONS AND TESTS SHALL NOT BE REQUIRED FOR THE FOLLOWING:
13.2.1. NON-STRUCTURAL CONCRETE SLABS ON GRADE.

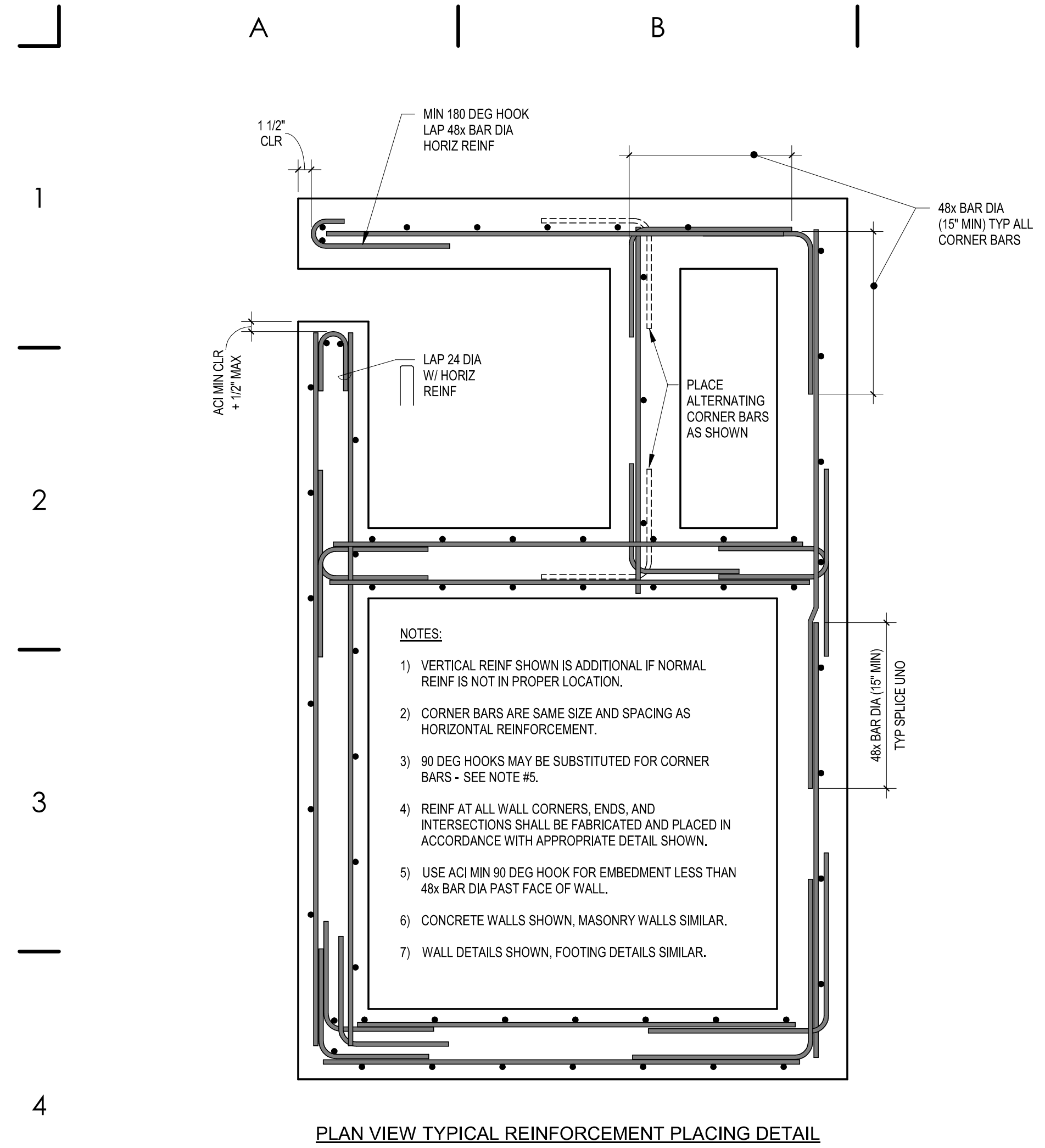
14.A REQUIRED SPECIAL INSPECTION AND TEST OF MASONRY CONSTRUCTION - MINIMUM VERIFICATION REQUIREMENTS. Table with columns: MINIMUM VERIFICATION REQUIREMENTS, REQUIRED FOR QUALITY ASSURANCE LEVEL 1, LEVEL 2, REFERENCE FOR CRITERIA TMS 602. Lists masonry inspection requirements.

- 14.1. SPECIAL INSPECTION AND VERIFICATION OF MASONRY CONSTRUCTION SHALL BE IN ACCORDANCE WITH TMS 602 AND TMS 602 QUALITY ASSURANCE REQUIREMENTS, AS NOTED IN THE TABLES ABOVE INCLUDING:
14.1.1. FOR RISK CATEGORY I, II, OR III, MINIMUM QUALITY ASSURANCE LEVEL FOR BRICK VENEER SHALL BE LEVEL 1, AS NOTED IN TABLE 14A.

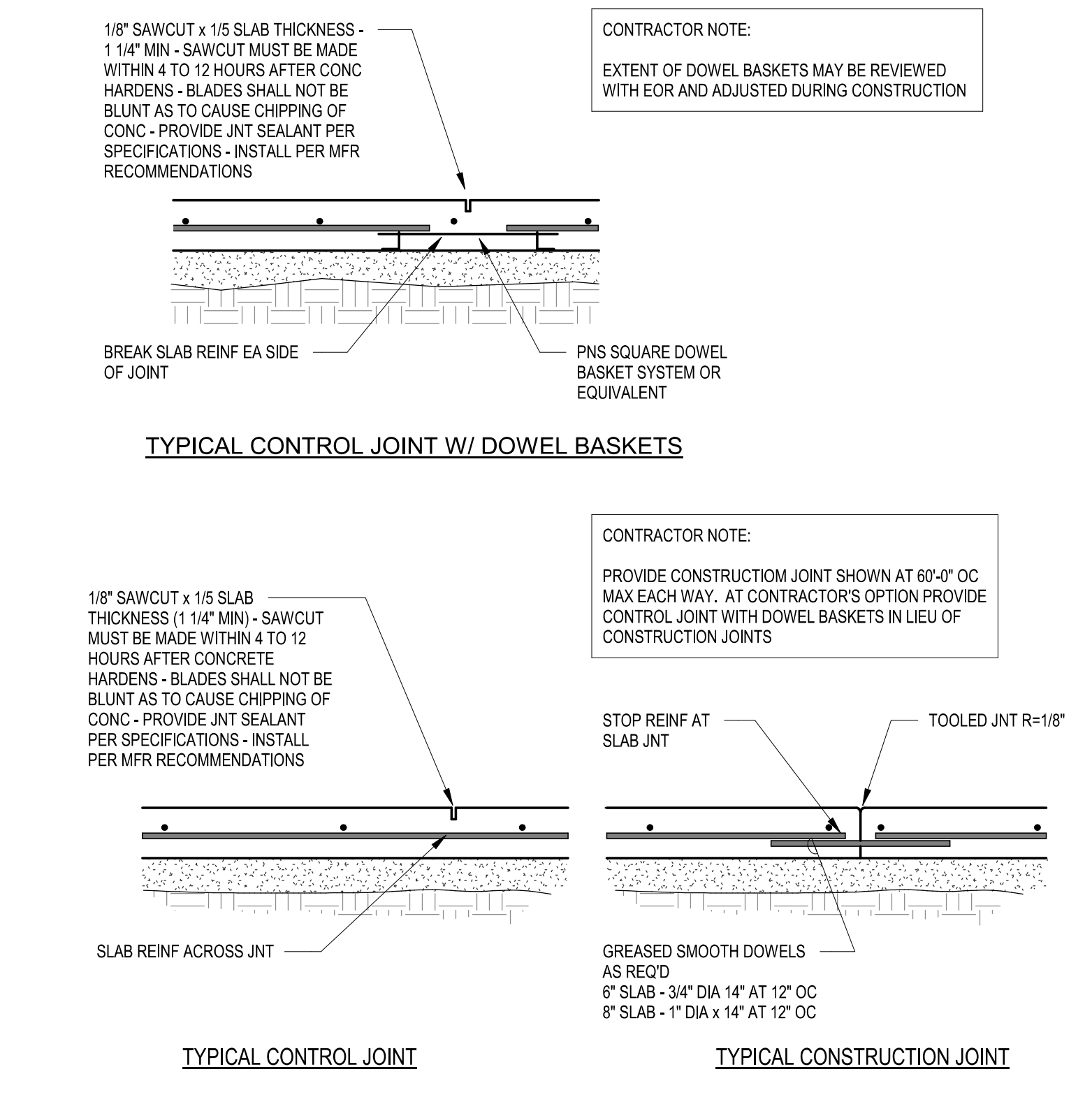
15.A REQUIRED SPECIAL INSPECTION AND TESTS OF STRUCTURAL STEEL CONSTRUCTION - INSPECTION OF WELDING. Table with columns: SPECIAL INSPECTION OR TEST TYPE, CONTINUOUS SPECIAL INSPECTION, PERIODIC SPECIAL INSPECTION, REFERENCED STANDARD. Lists welding inspection requirements.

PLotted: 01/02/24 4:35:39 PM PROJECT: ABL CITY OF FEDERAL WAY FILE PATH: C:\Users\jgibson\Documents\2023\23-087\23-087-087-001.dwg

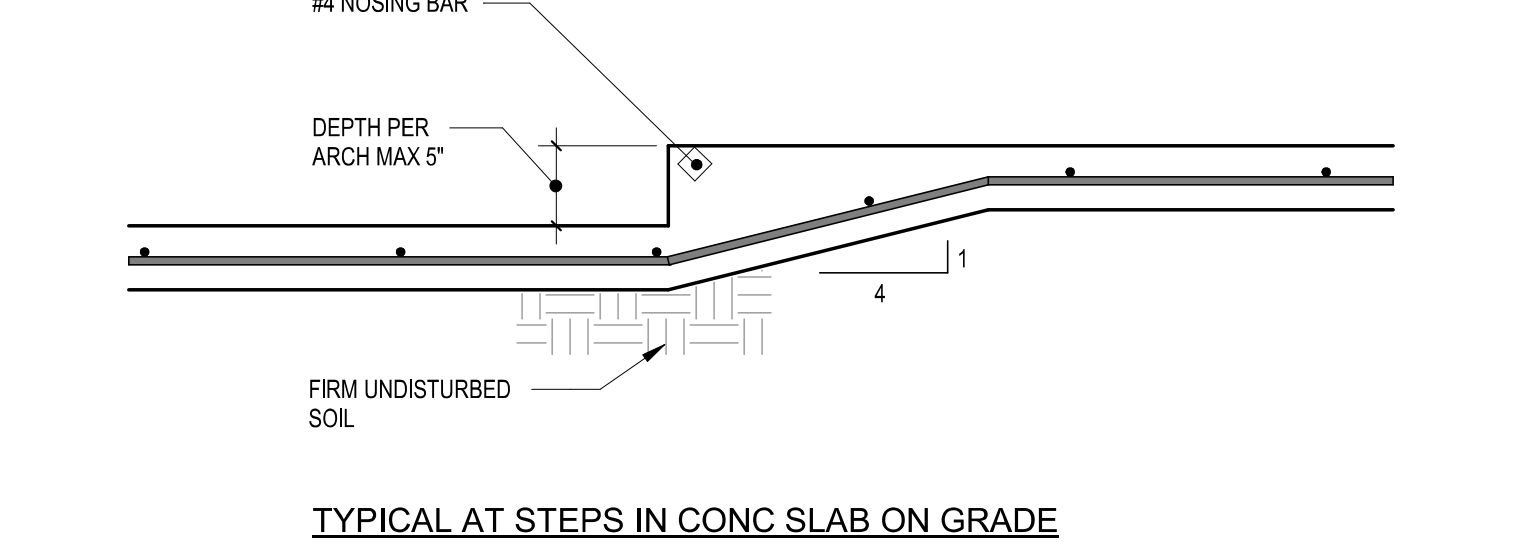
UNOFFICIAL COPY Official bid documents, plan holder's list, and addenda (if applicable) are available on BIXWA.com



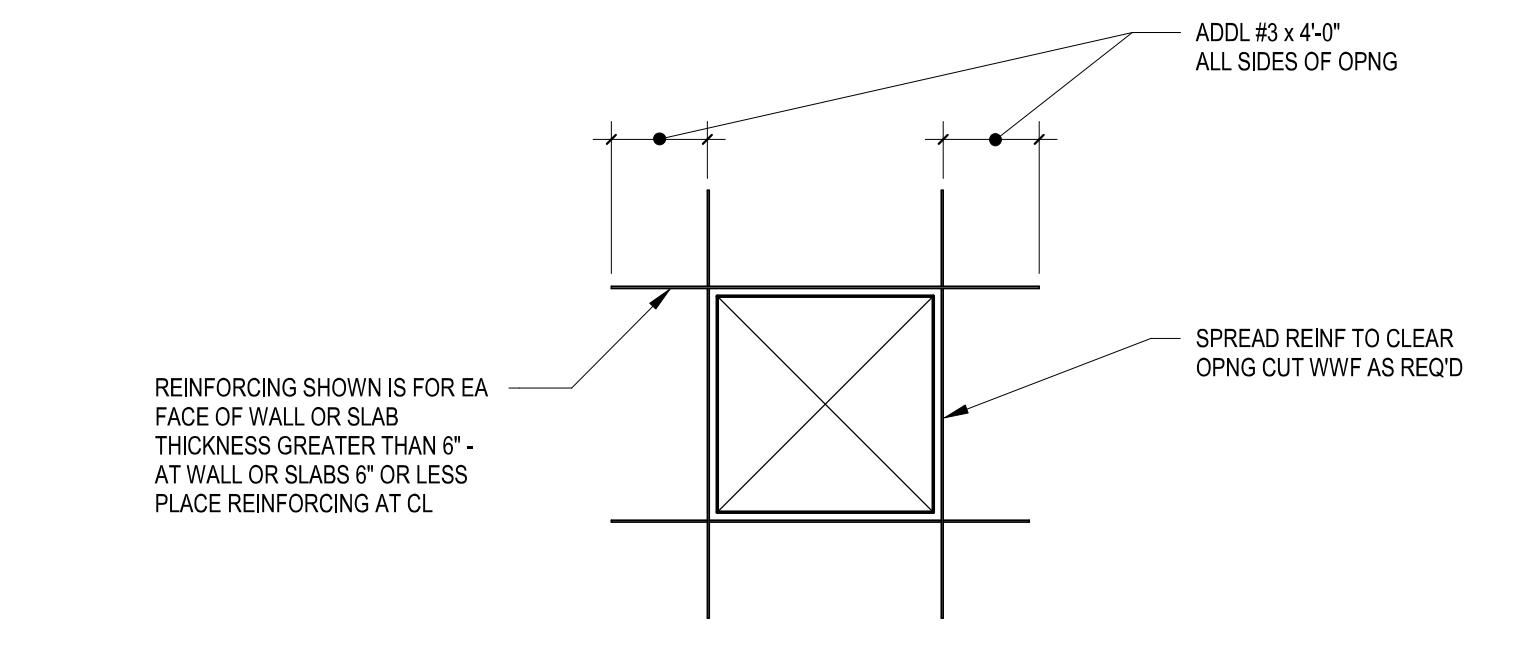
1 TYPICAL
1" = 1'-0" SB020-1



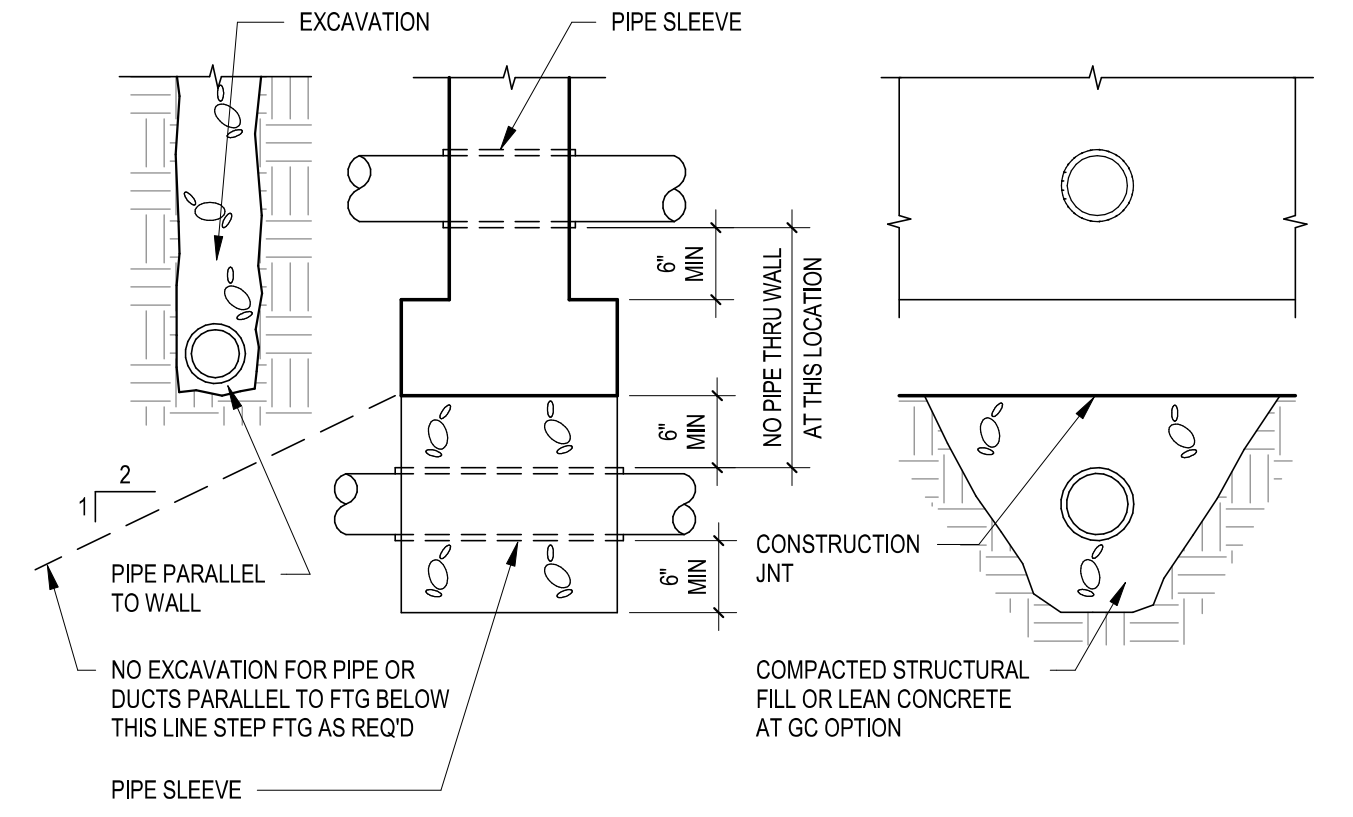
2 TYPICAL
1" = 1'-0"



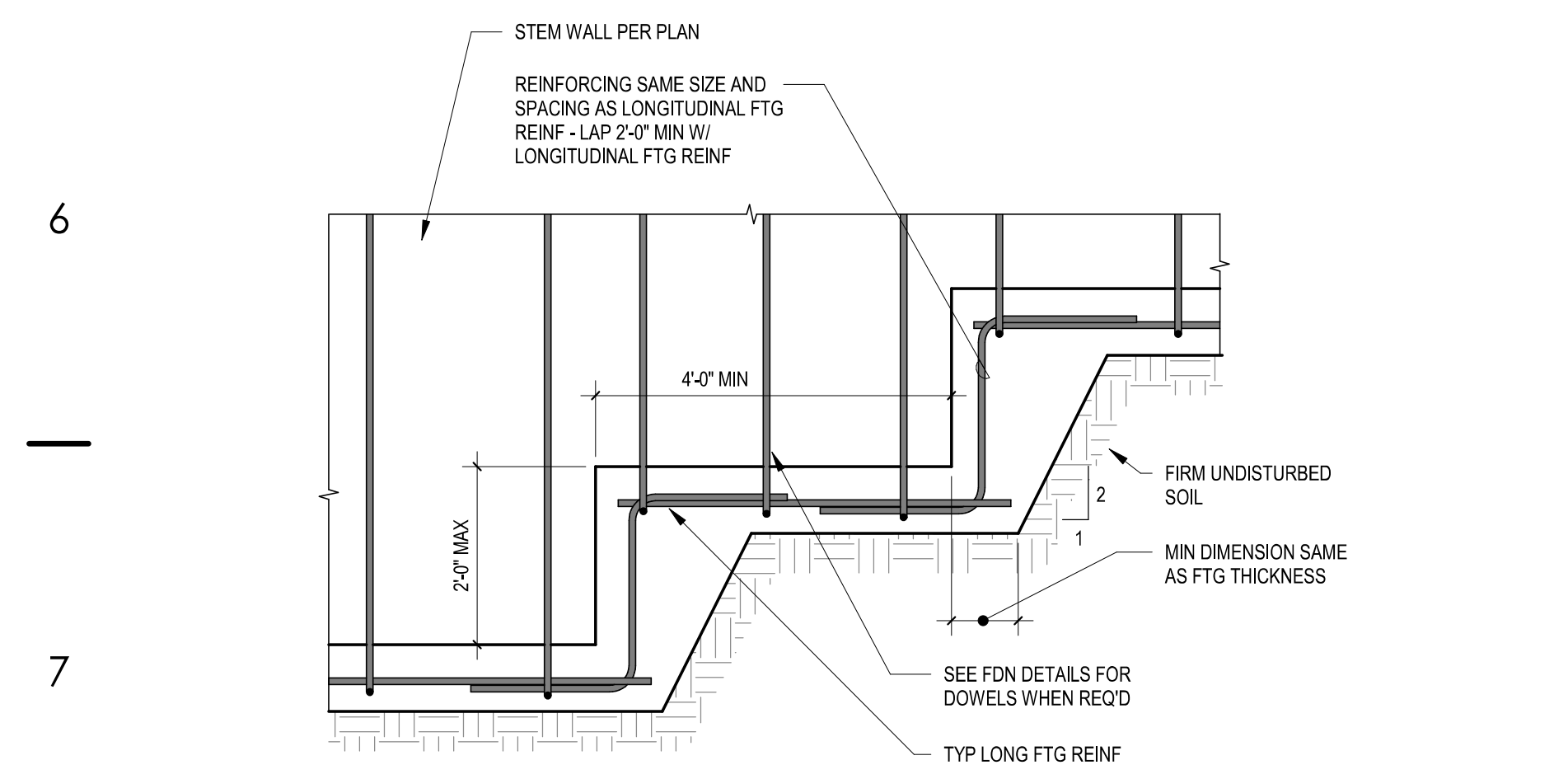
3 TYPICAL
1" = 1'-0"



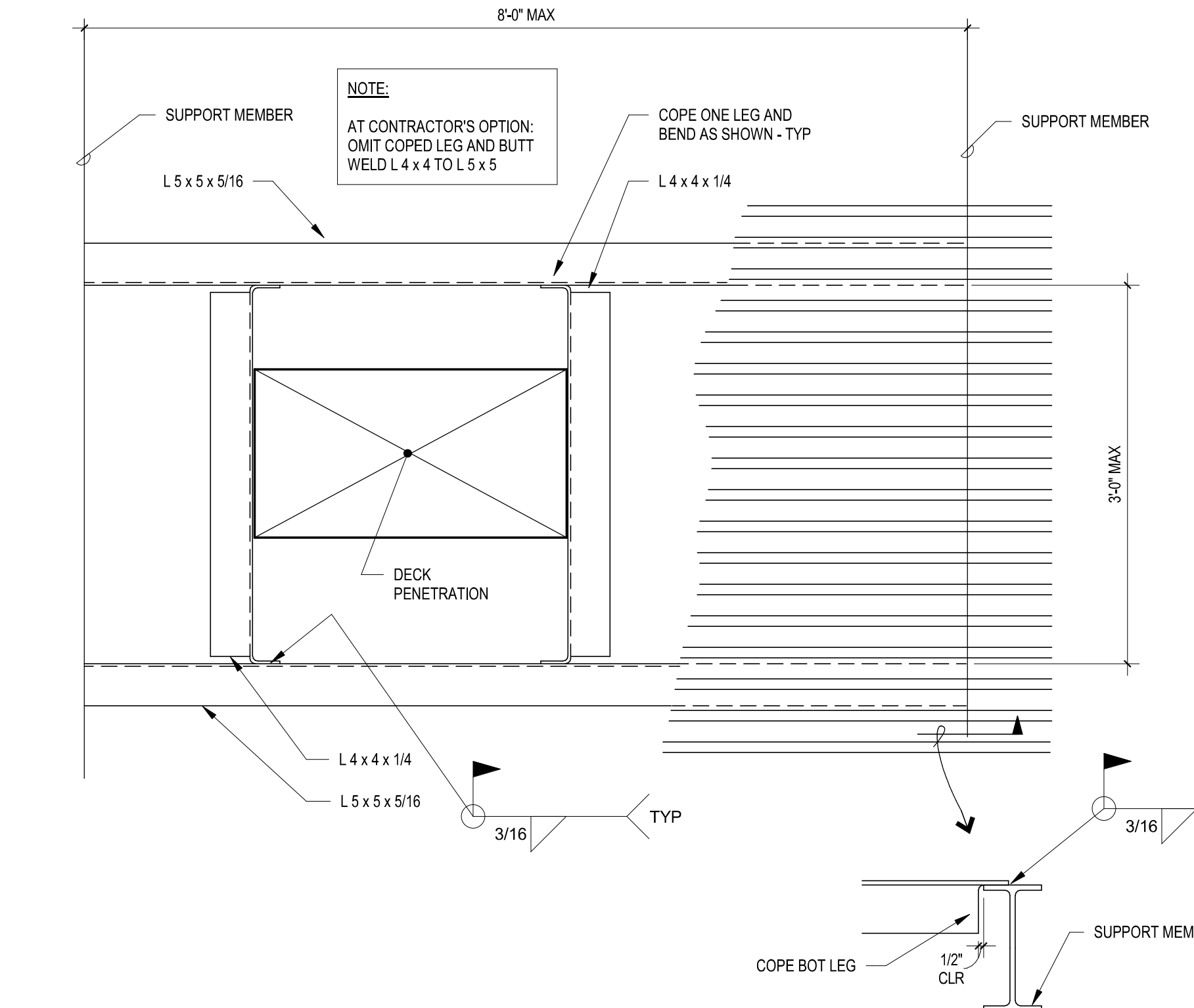
4 TYPICAL
1 1/4" = 1'-0" TYPICAL



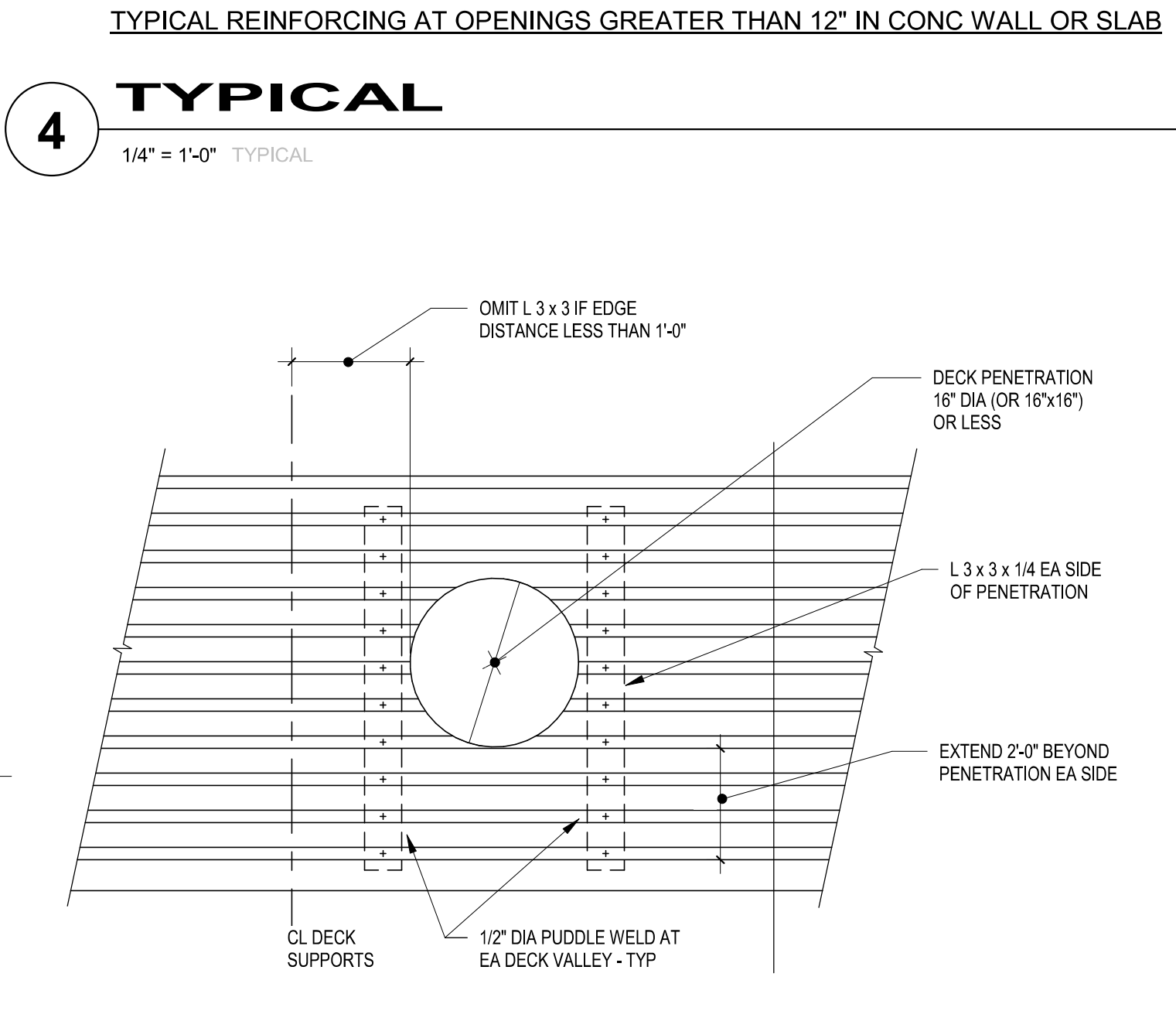
5 TYPICAL
1" = 1'-0"



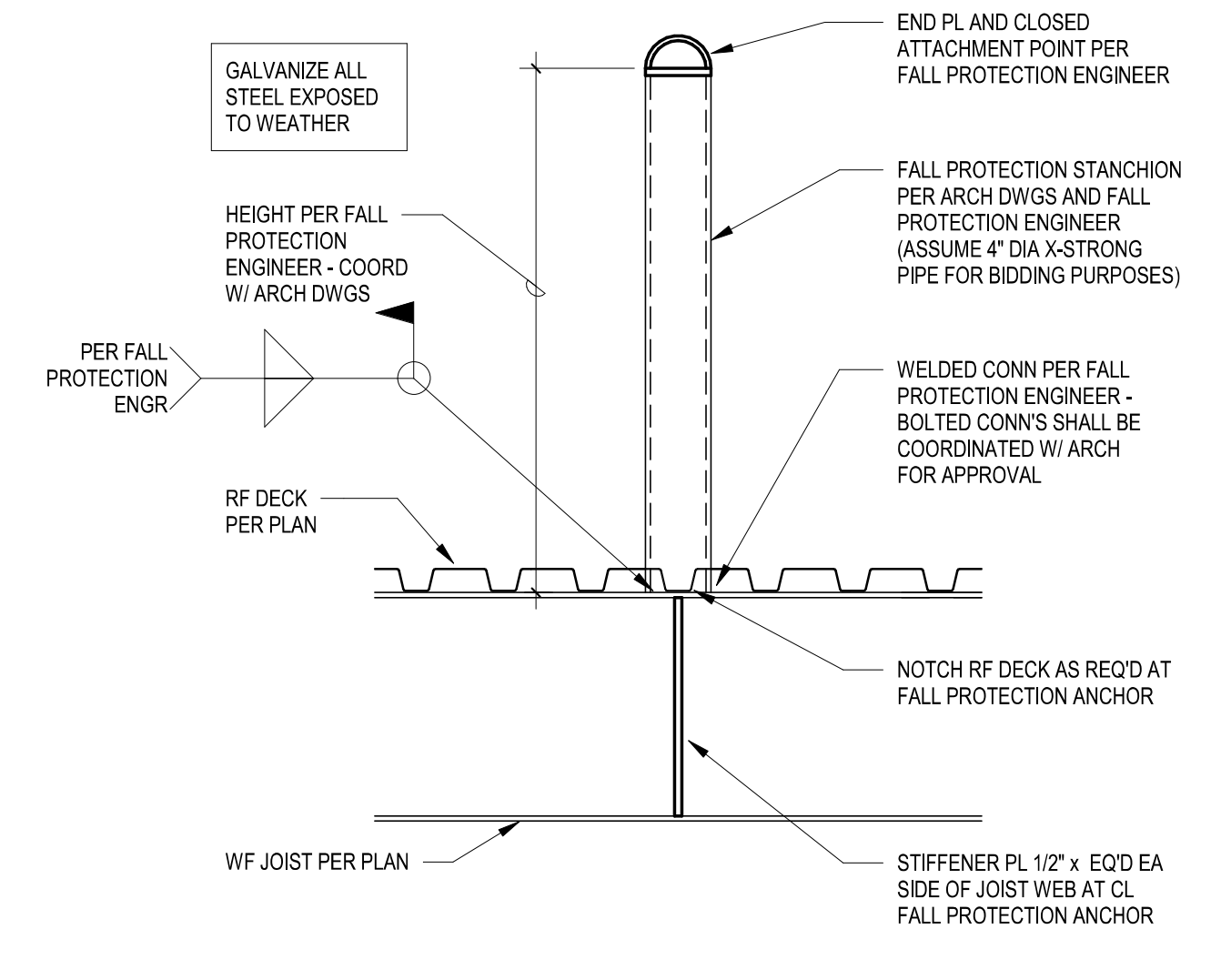
6 TYPICAL
1" = 1'-0"



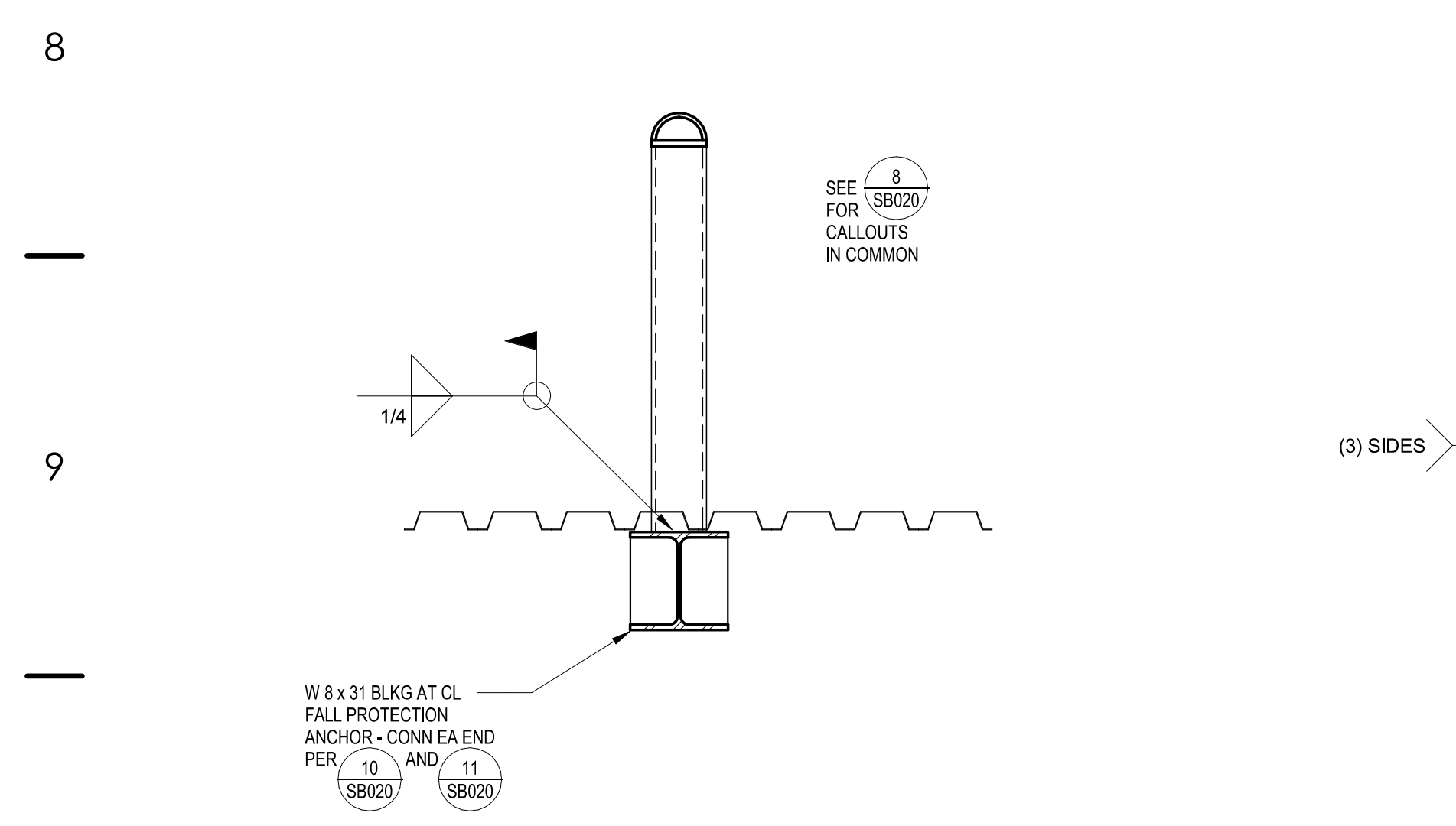
7 TYPICAL
1" = 1'-0"



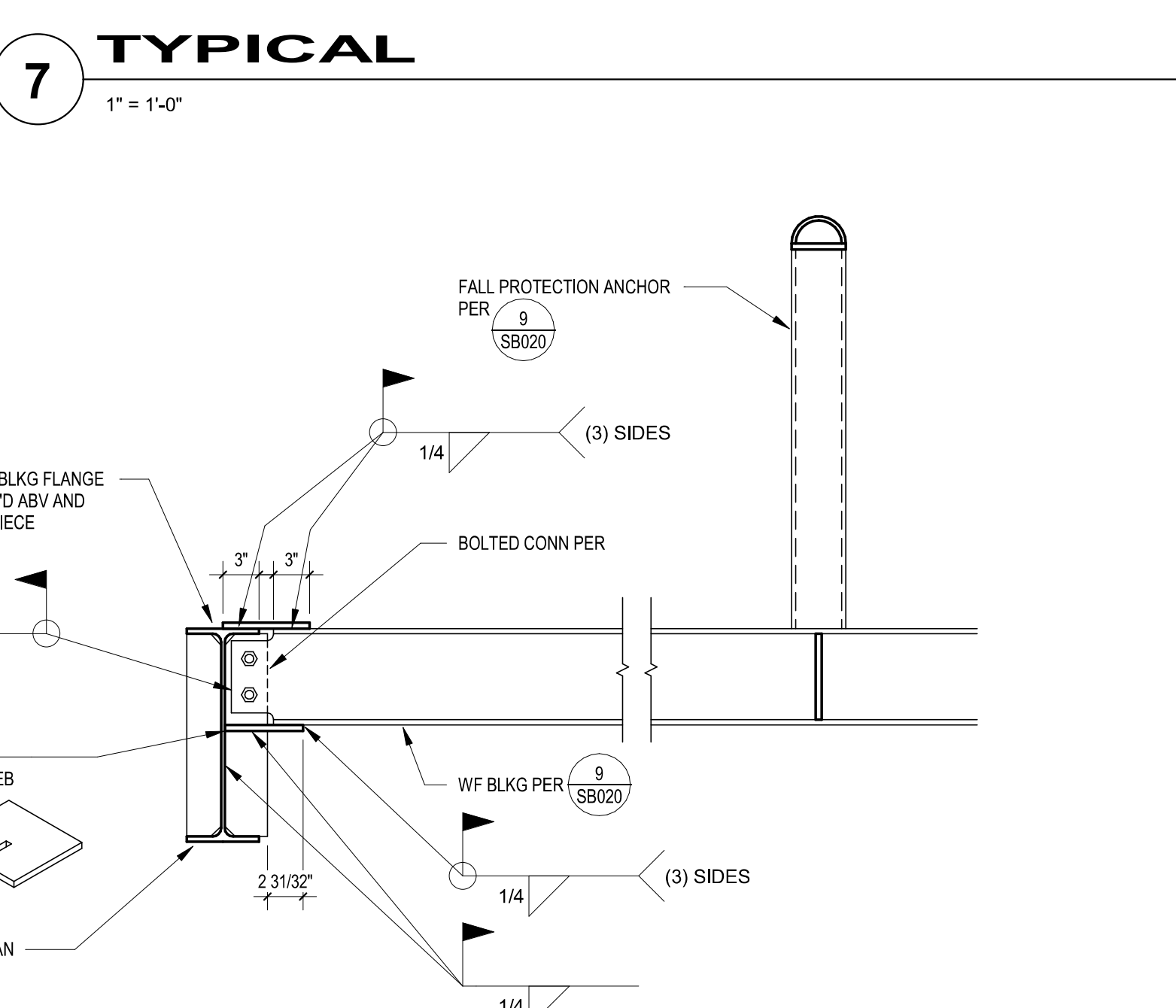
8 TYPICAL
1 1/4" = 1'-0" TYPICAL



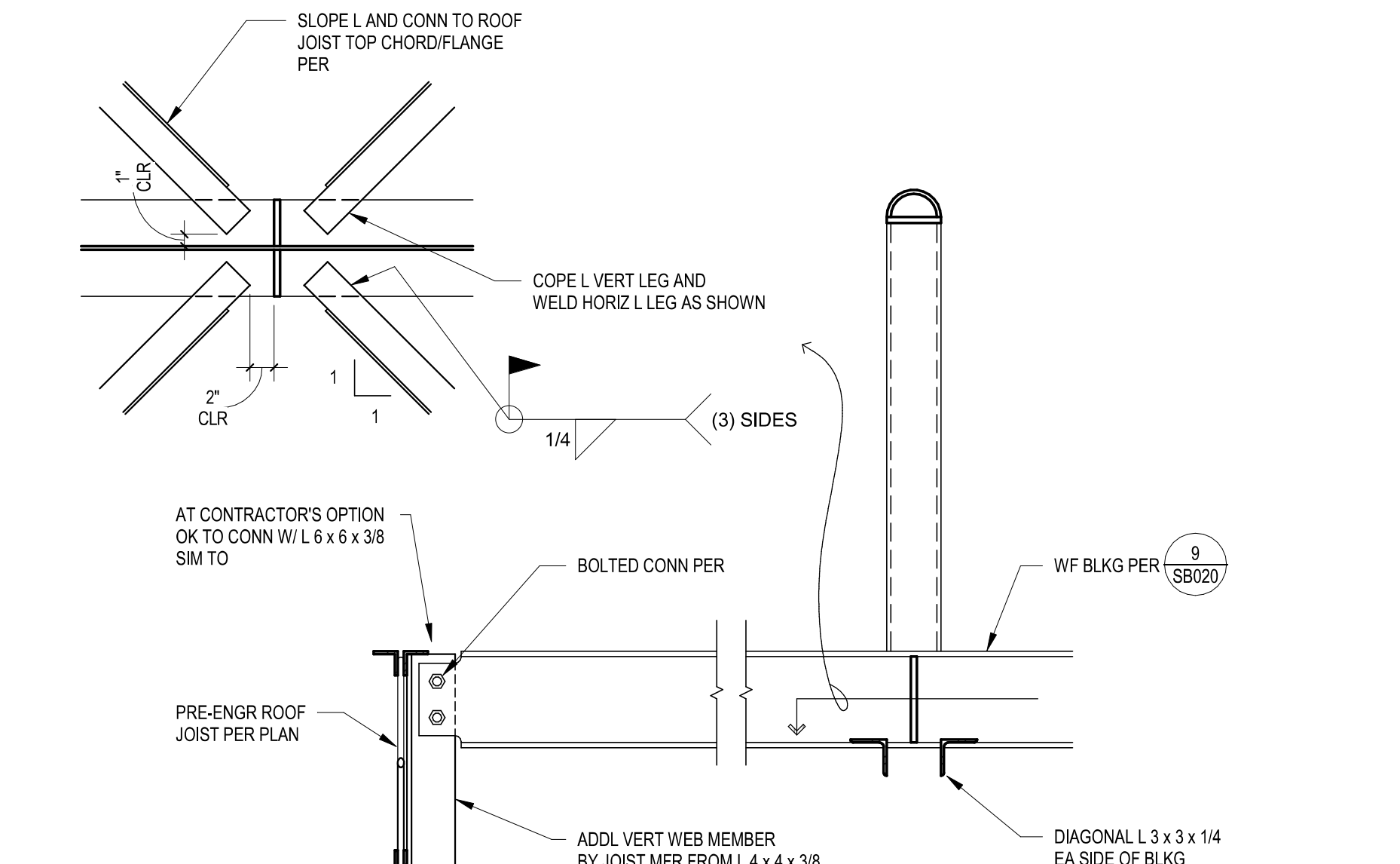
8 TYPICAL
1" = 1'-0" SB020-8



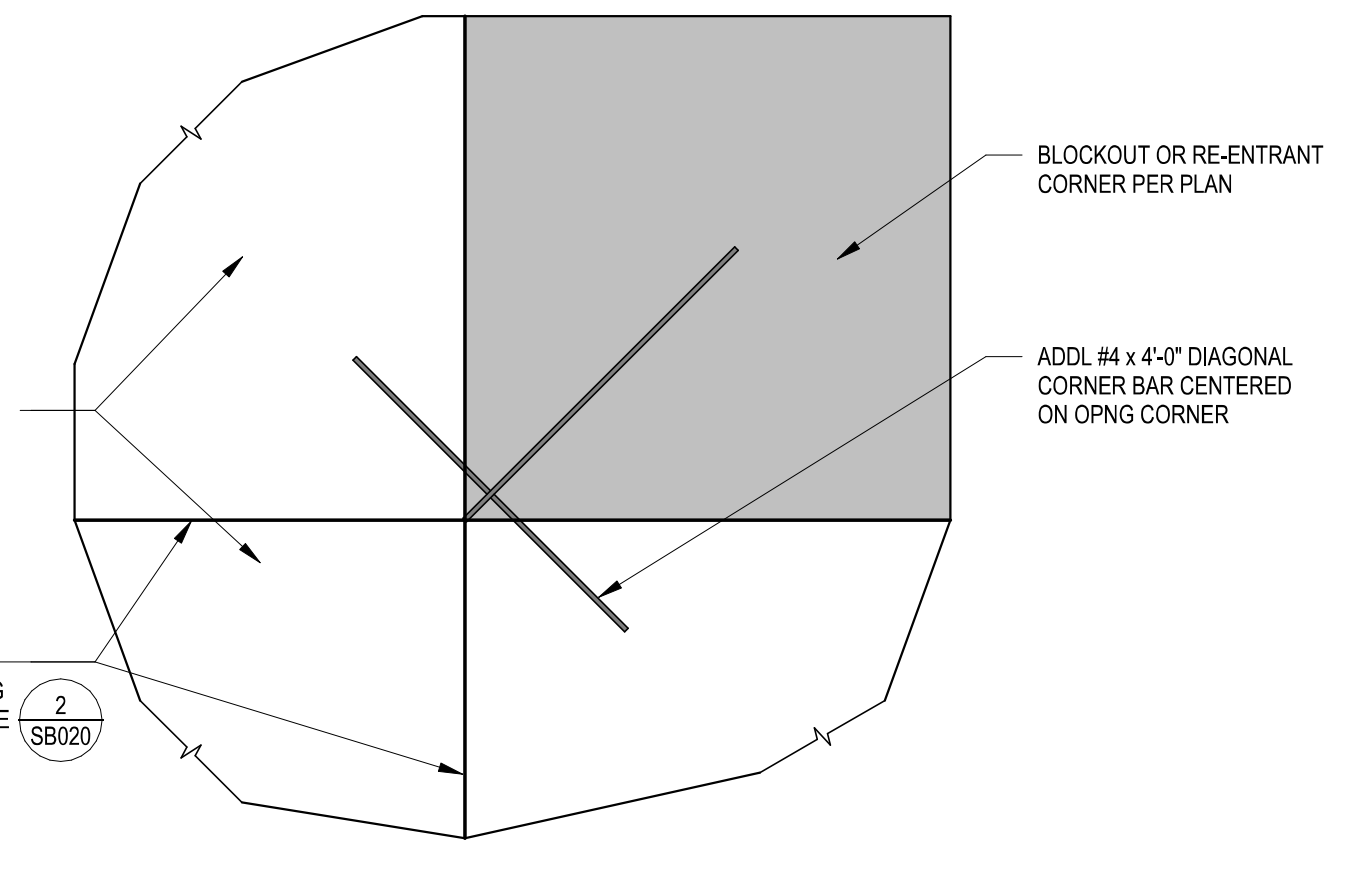
9 TYPICAL
1" = 1'-0" SB020-9



10 TYPICAL
1" = 1'-0" SB020-10



11 TYPICAL
1" = 1'-0" SB020-11



12 TYPICAL
1/2" = 1'-0"

PLOTTED: 01/02/24 5:33:38 PM PROJECT: ABLBY - CITY OF FEDERAL WAY
 FILE PATH: C:\Users\jgordon\Documents\2023\23-087-FLEET&SHOP\Drawings\23-087-087.dwg
 23-087-087.dwg

UNOFFICIAL COPY Critical bid documents, plan holder's list, and addenda (if applicable) are available on BIXWA.com



ROOF FRAMING PLAN - NORTH

CITY OF FEDERAL WAY FLEET & SHOP BUILDING

FEDERAL WAY, WASHINGTON

REVISION DATE

DATE 05.04.24 JOB NO. a23-087

BID SET

SB202

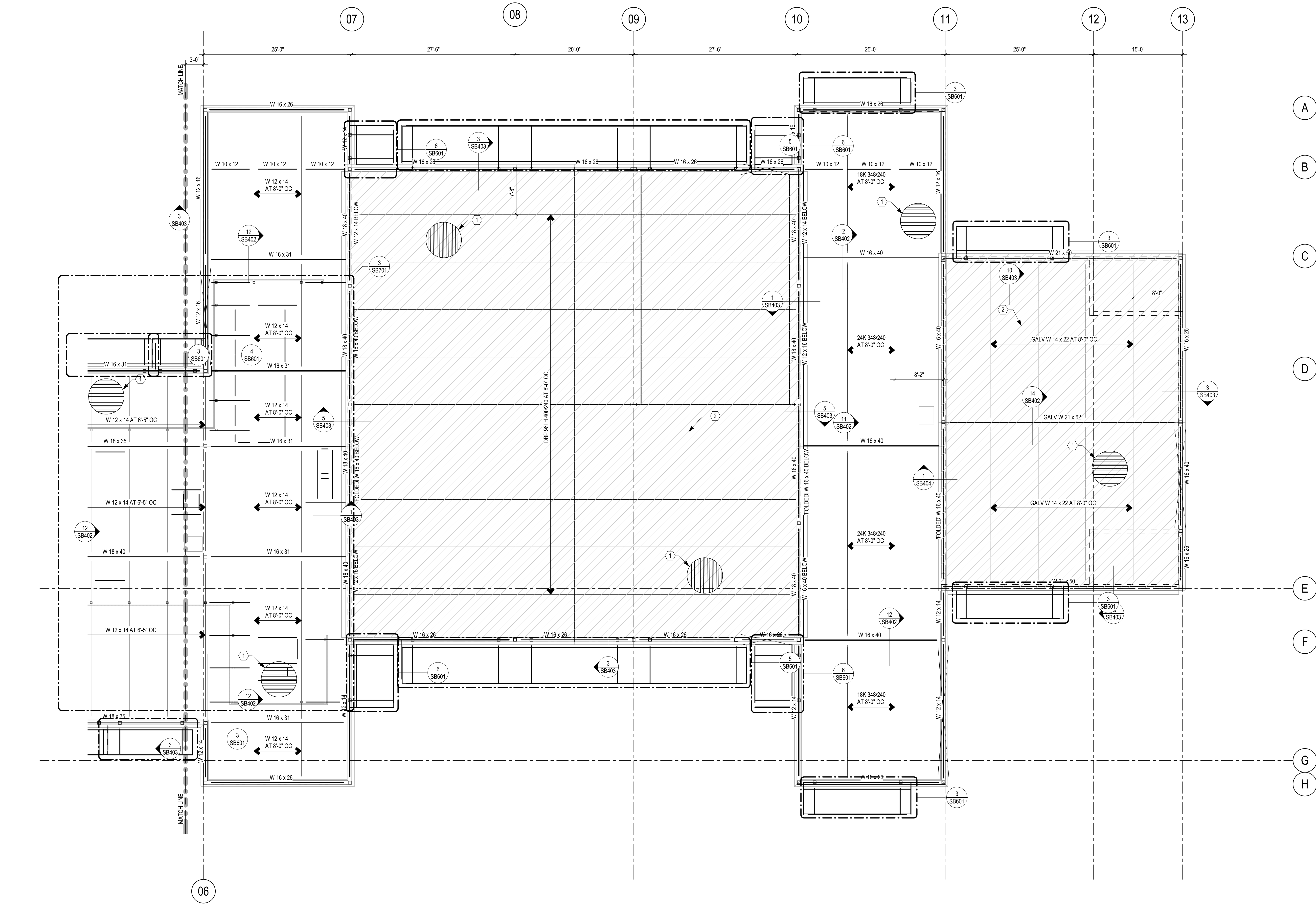
DRAWING NO. HELIX DESIGN GROUP, INC. All rights reserved. No part of this document may be reproduced in any form or by any means without permission in writing from Helix Design Group.

GENERAL PLAN NOTES

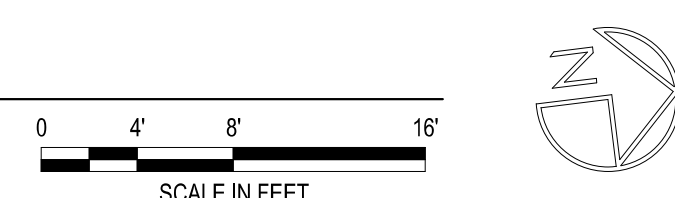
- SEE SHEETS SB001 AND SB002 FOR STRUCTURAL NOTES.
- SEE SHEETS SB010 AND SB011 FOR QUALITY ASSURANCE PLAN.
- SEE SHEET SB020 FOR TYPICAL DETAILS.
- SEE SHEET SB021 FOR STEEL STUD DETAILS.

ROOF KEYNOTES

- METAL DECK PER DIAGRAM SCHED.
- HATCHED REGION INDICATES EXTENTS OF FUTURE PV PANELS AND INCLUDES 4 PSF COLLATERAL DEAD LOAD.



1 ROOF FRAMING PLAN - NORTH
1/8" = 1'-0"



PLotted: 01/02/24 4:35:57 PM PROJECT: ARCTIC CITY OF FEDERAL WAY FILE PATH: C:\Users\jgarcia\Documents\2023\ARCTIC CITY OF FEDERAL WAY\23-087\087-01.dwg 23/05/24 10:41 AM

UNOFFICIAL COPY Official bid documents, plan holder's list, and addenda (if applicable) are available on BIXWA.com

